



T&S BRASS AND BRONZE WORKS, INC.

2 Saddleback Cove / P.O. Box 1088
Travelers Rest, SC 29690

Model No.

B-0651-POL

Item No.

Travelers Rest, SC: 800-476-4103 • Simi Valley, CA: 800-423-0150 • Fax: 864-834-3518 • www.tsbrass.com



ADA Compliant

This Space for Architect/Engineer Approval

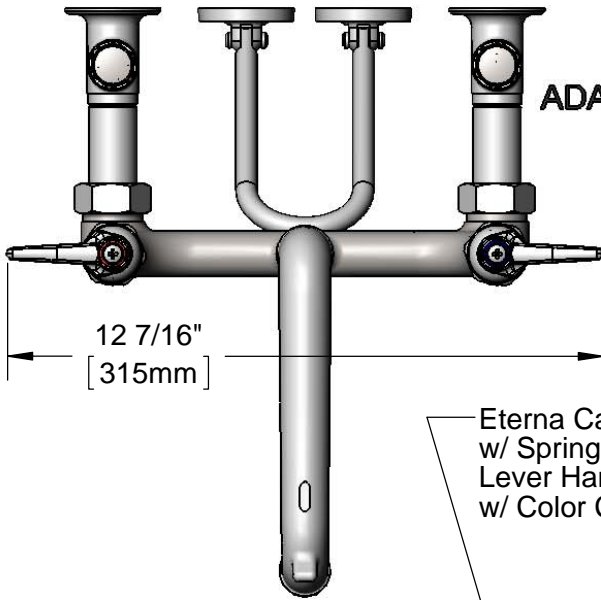
Job Name _____ Date _____

Model Specified _____ Quantity _____

Customer/Wholesaler _____

Contractor _____

Architect/Engineer _____



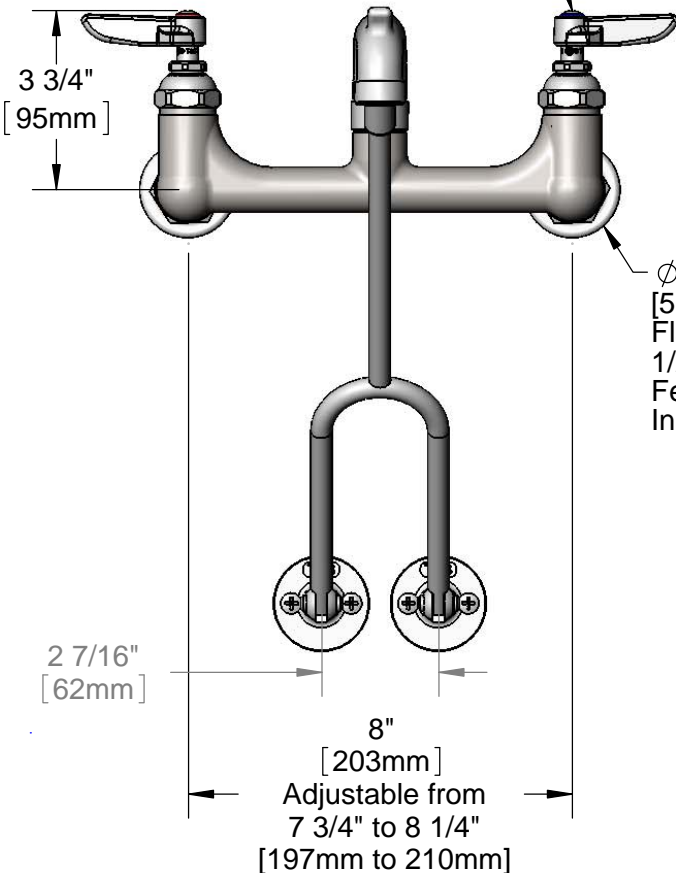
12 7/16"
[315mm]

Eterna Cartridges
w/ Spring Checks &
Lever Handles
w/ Color Coded Indexes

Integral
Service Stops

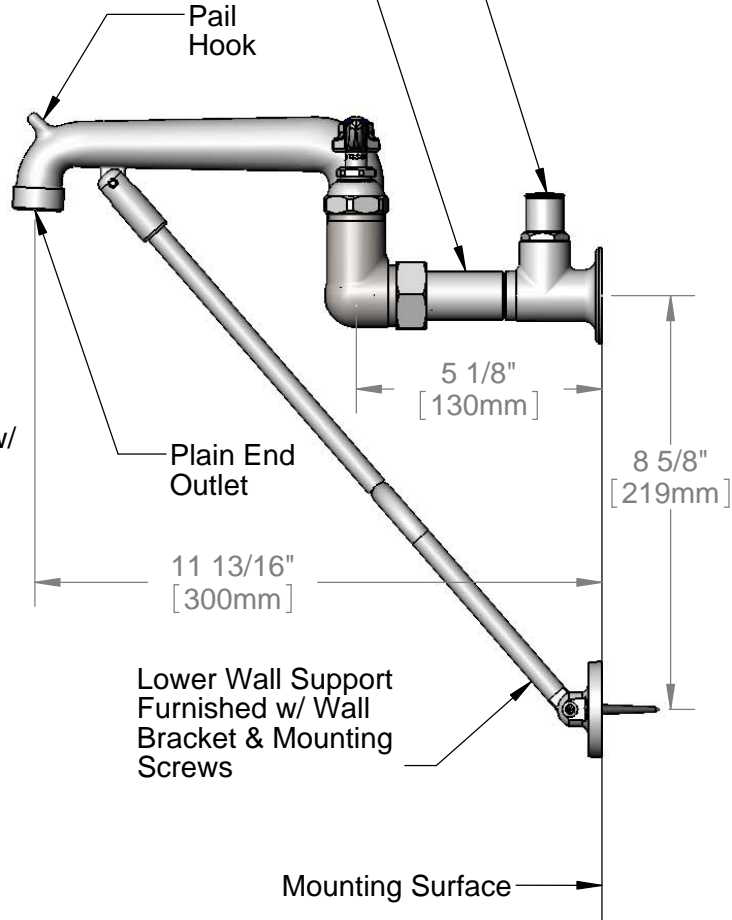
Inlet
Extension

Pail
Hook



3 3/4"
[95mm]

Ø2"
[51mm]
Flanges w/
1/2" NPT
Female
Inlets



5 1/8"
[130mm]

Plain End
Outlet

8 5/8"
[219mm]

11 13/16"
[300mm]

Lower Wall Support
Furnished w/ Wall
Bracket & Mounting
Screws

Mounting Surface

2 7/16"
[62mm]

8"
[203mm]

Adjustable from
7 3/4" to 8 1/4"
[197mm to 210mm]

Product Specifications:

8" Wall Support Service Sink, Polished Chrome Finish, Eterna Cartridges w/ Spring Checks, Lever Handles, Spout w/ Plain End Outlet, Lower Wall Support Rod & 1/2" NPT Extended Inlets w/ Integral Service Stops

Product Compliance:

ASME A112.18.1 / CSA B125.1
NSF 61 - Section 9
NSF 372 (Low Lead Content)
ANSI A117.1 (ADA)



T&S BRASS AND BRONZE WORKS, INC.

2 Saddleback Cove / P.O. Box 1088
Travelers Rest, SC 29690

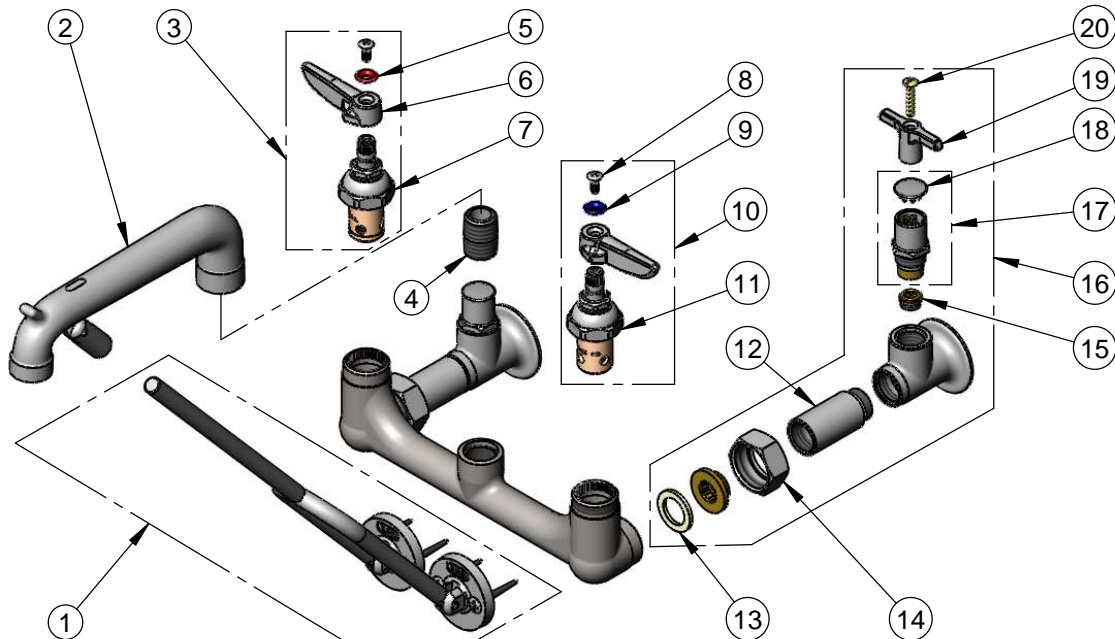
Model No.

B-0651-POL

Item No.

Travelers Rest, SC: 800-476-4103 • Simi Valley, CA: 800-423-0150 • Fax: 864-834-3518 • www.tsbrass.com

ITEM NO.	SALES NO.	DESCRIPTION
1	009616-40	Lower Support Rod w/ Mounting Screws
2	016844-40	Plain End Spout w/ Lower Clevis - Polished Chrome
3	002712-40	Eterna Cartridge, RTC w/ Spring Check, Handle, Index & Screw
4	002534-25	Close Nipple, 1/2" NPT
5	001661-45	Red Index-HW
6	001638-45	Lever Handle
7	012443-40	Eterna Cartridge, RTC w/ Spring Check
8	000922-45	Lever Handle Screw
9	001660-45	Blue Index-CW
10	002711-40	Eterna Cartridge, LTC w/ Spring Check, Handle, Index & Screw
11	012442-40	Eterna Cartridge, LTC w/ Spring Check
12	000611-25	Extension, 1 3/4" Long
13	001019-45	Coupling Nut Washer
14	000721-25	Flange Coupling Nut
15	000763-20	Seat
16	00JJ-XT	1/2" NPT Female Inlet with Loose Key Stop & Extension
17	002892-40	Service Stop Spindle w/ Cap
18	001605-45	Cap
19	001802-45	Handle, Supply Stop "T"
20	002432-45	Screw, Tee Handle



Product Specifications:

8" Wall Support Service Sink, Polished Chrome Finish, Eterna Cartridges w/ Spring Checks, Lever Handles, Spout w/ Plain End Outlet, Lower Wall Support Rod & 1/2" NPT Extended Inlets w/ Integral Service Stops

Product Compliance:

ASME A112.18.1 / CSA B125.1
NSF 61 - Section 9
NSF 372 (Low Lead Content)
ANSI A117.1 (ADA)