



T&S BRASS AND BRONZE WORKS, INC.

2 Saddleback Cove / P.O. Box 1088
Travelers Rest, SC 29690

Model No.

B-0655-BSTR

Item No.

Travelers Rest, SC: 800-476-4103 • Simi Valley, CA: 800-423-0150 • Fax: 864-834-3518 • www.tsbrass.com



ADA Compliant

This Space for Architect/Engineer Approval

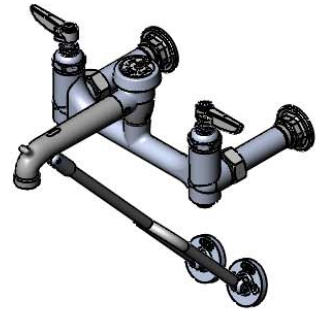
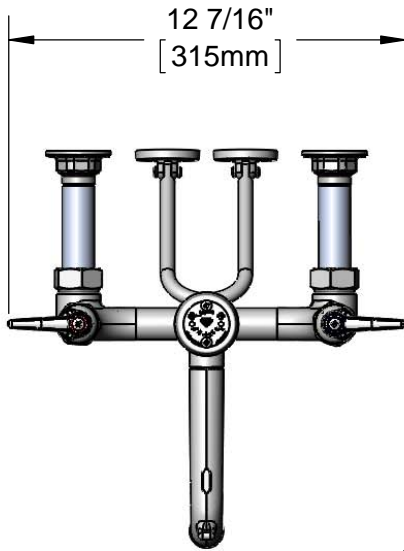
Job Name _____ Date _____

Model Specified _____ Quantity _____

Customer/Wholesaler _____

Contractor _____

Architect/Engineer _____



B-0969
1/2" NPT Vacuum Breaker

Eterna Cartridges w/
Spring Checks & Lever
Handles w/ Color Coded
Indexes

Garden Hose
Male Outlet

Ø 2" [51mm]
Flanges w/
1/2" NPT
Female Inlets

Built-In Service
Stops

Lower Wall Brace
w/ Wall Bracket &
Mounting Screws

Mounting
Surface

B-0441
Extension Flange
Inlets

3 15/16"
[100mm]

9 1/8"
[233mm]

2 7/16"
[62mm]

8"
[203mm]

5 7/16"
[137mm]

Inlets Adjustable from
7 3/4" to 8 1/4"
[197mm to 210mm]

11 7/8"
[302mm]

Product Specifications:

8" Wall Mount Service Sink Faucet, Eterna Cartridges w/ Spring Checks, Lever Handles, Lower Support Rod, Garden Hose Male Outlet, Rough Chrome Finish, Built-In Stops, 1/2" NPT Vacuum Breaker & 1/2" NPT Female Extended Inlets

Product Compliance:

ASME A112.18.1 / CSA B125.1
NSF 61 Exempt (Non-Potable)
ANSI A117.1 (ADA)
ASSE 1001 (VB)



T&S BRASS AND BRONZE WORKS, INC.

2 Saddleback Cove / P.O. Box 1088
Travelers Rest, SC 29690

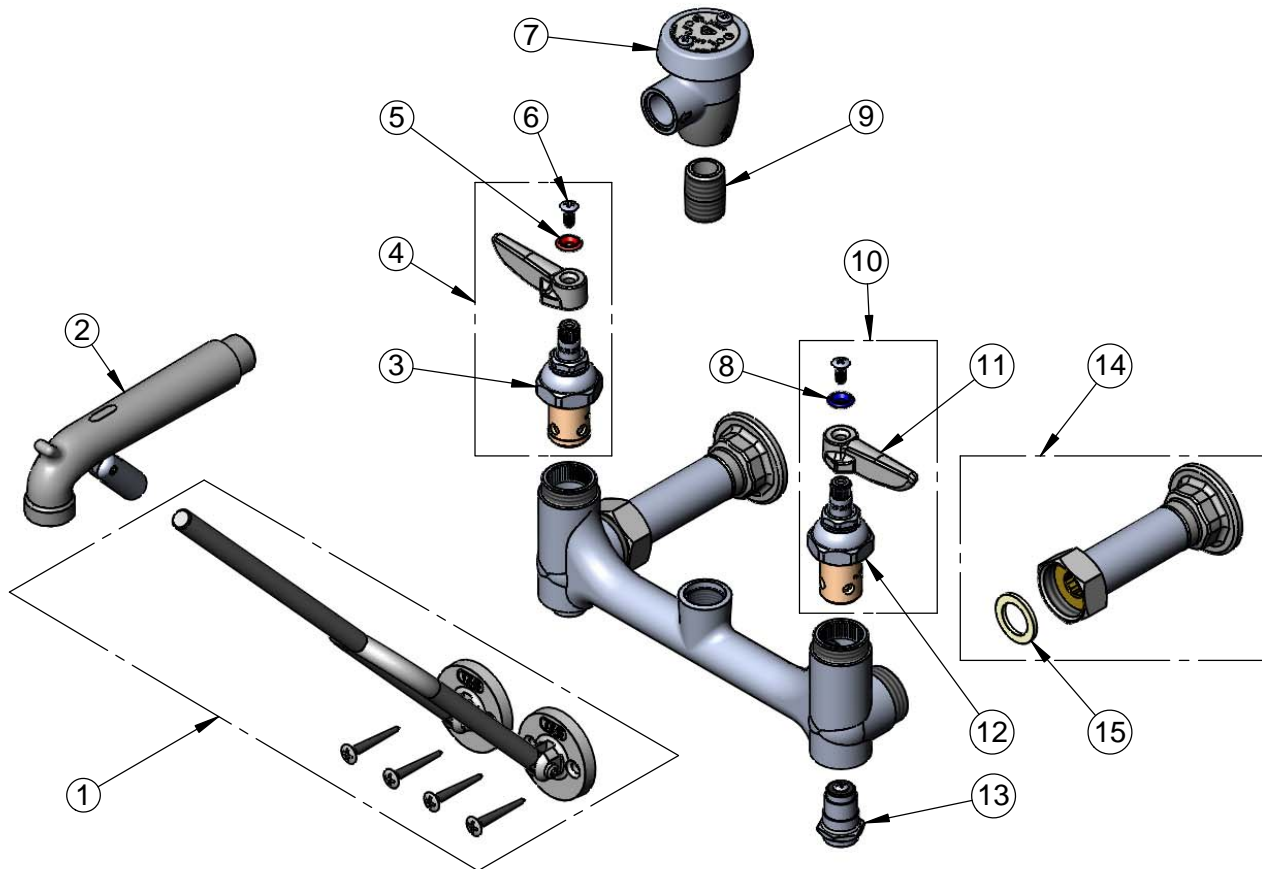
Model No.

B-0655-BSTR

Item No.

Travelers Rest, SC: 800-476-4103 • Simi Valley, CA: 800-423-0150 • Fax: 864-834-3518 • www.tsbrass.com

ITEM NO.	SALES NO.	DESCRIPTION
1	009616-40	Lower Wall Support w/ Mounting Screws
2	016450-25	Spout, Rough Chrome w/ Bottom Support Clevis
3	012443-40	Eterna Cartridge, RTC w/ Spring Check
4	002712-40	Eterna Cartridge, RTC w/ Spring Check, Handle, Index & Screw
5	001661-45	Red Index-HW
6	000922-45	Lever Handle Screw
7	B-0969	1/2" Vacuum Breaker
8	001660-45	Blue Index-CW
9	002534-25	Close Nipple, 1/2" NPT
10	002711-40	Eterna Cartridge, LTC w/ Spring Check, Handle, Index & Screw
11	001638-45	Lever Handle
12	012442-40	Eterna Cartridge, LTC w/ Spring Check
13	163A	Built-in Service Stop
14	B-0441	1/2" x 4" Extension Flange Inlet
15	001019-45	Coupling Nut Washer



Product Specifications:

8" Wall Mount Service Sink Faucet, Eterna Cartridges w/ Spring Checks, Lever Handles, Lower Support Rod, Garden Hose Male Outlet, Rough Chrome Finish, Built-In Stops, 1/2" NPT Vacuum Breaker & 1/2" NPT Female Extended Inlets

Product Compliance:

ASME A112.18.1 / CSA B125.1
NSF 61 Exempt (Non-Potable)
ANSI A117.1 (ADA)
ASSE 1001 (VB)