



# T&S BRASS AND BRONZE WORKS, INC.

2 Saddleback Cove / P.O. Box 1088  
Travelers Rest, SC 29690

Model No.

**B-0657-01**

Item No.

Travelers Rest, SC: 800-476-4103 • Simi Valley, CA: 800-423-0150 • Fax: 864-834-3518 • www.tsbrass.com



**ADA Compliant**

This Space for Architect/Engineer Approval

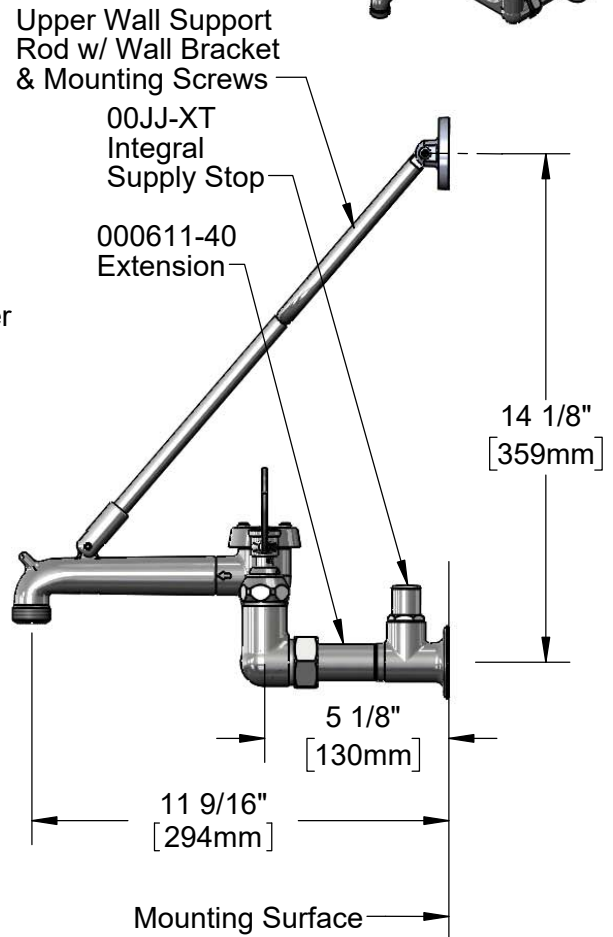
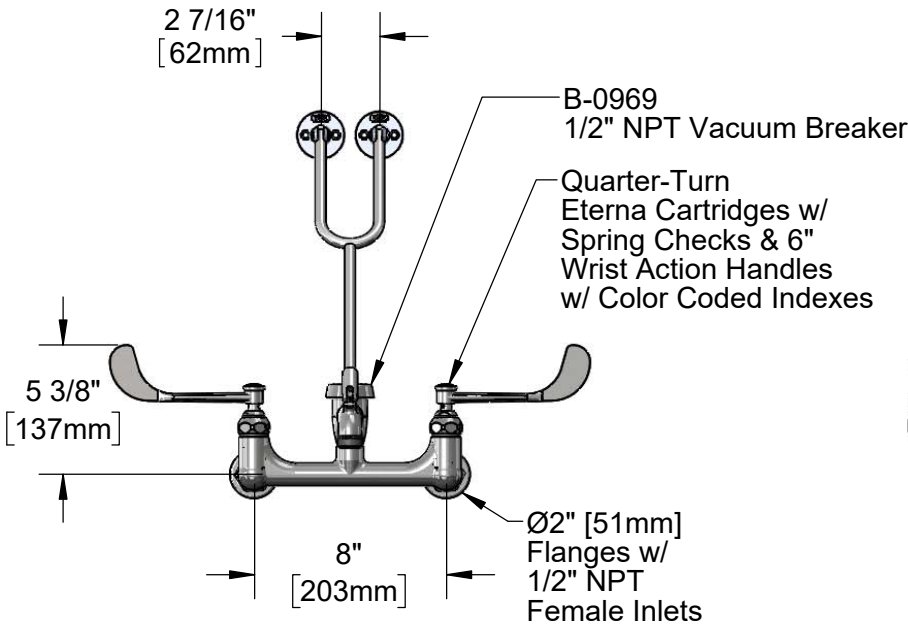
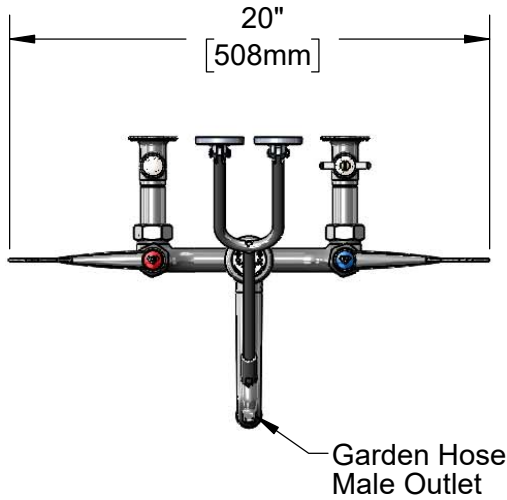
Job Name \_\_\_\_\_ Date \_\_\_\_\_

Model Specified \_\_\_\_\_ Quantity \_\_\_\_\_

Customer/Wholesaler \_\_\_\_\_

Contractor \_\_\_\_\_

Architect/Engineer \_\_\_\_\_



**Product Specifications:**

8" Wall Mount Service Sink Faucet, Quarter-Turn Eterna Cartridges w/ Spring Checks, 6" Wrist Action Handles, Upper Support Rod, Garden Hose Male Outlet, Polished Chrome Finish, 1/2" NPT Vacuum Breaker & 1/2" NPT Extended Inlets w/ Integral Stops

**Product Compliance:**

ASME A112.18.1 / CSA B125.1  
NSF 61 - Section 9  
NSF 372 (Low Lead Content)  
ANSI A117.1 (ADA)  
ASSE 1001 (VB)



# T&S BRASS AND BRONZE WORKS, INC.

2 Saddleback Cove / P.O. Box 1088  
Travelers Rest, SC 29690

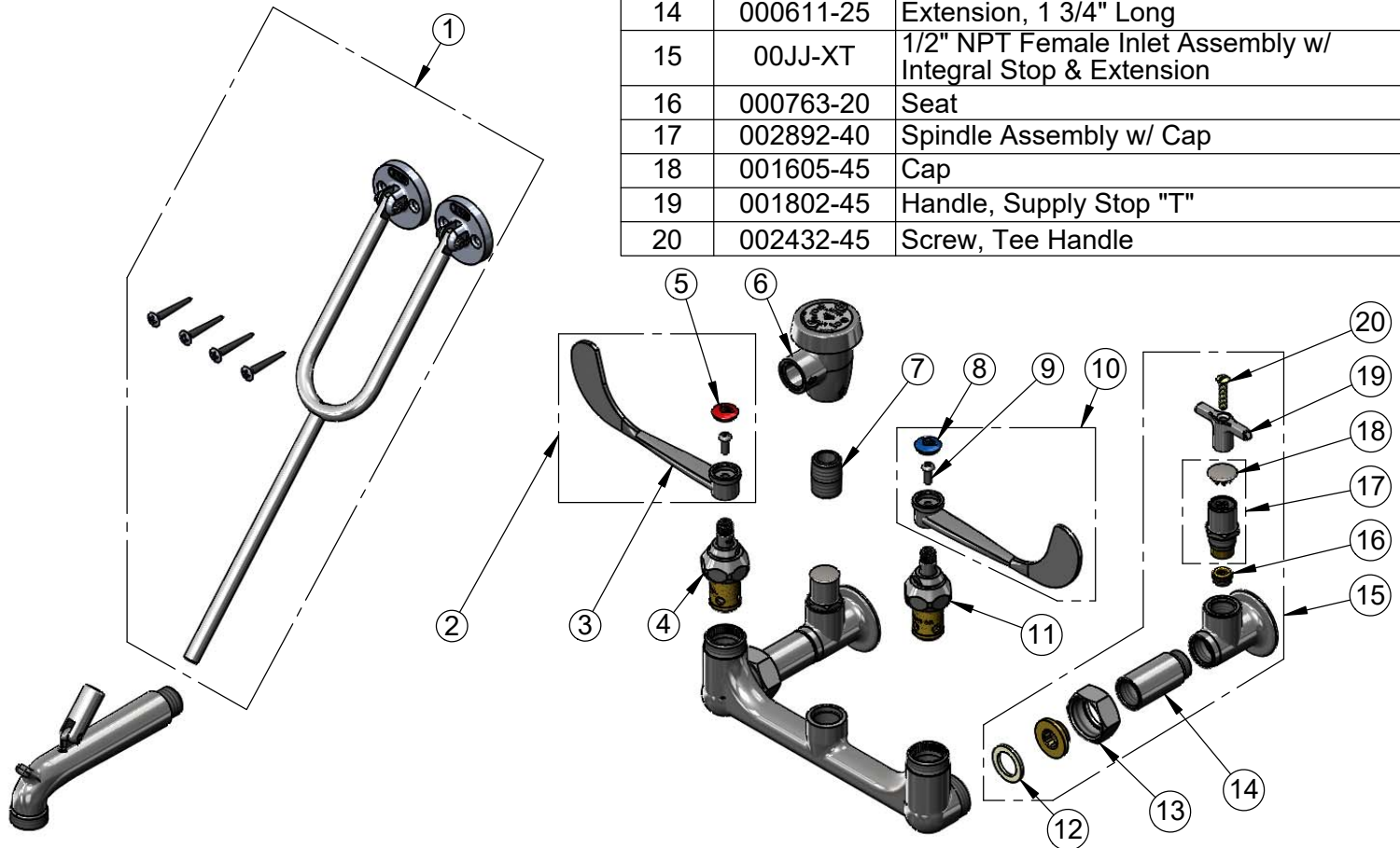
Model No.

**B-0657-01**

Item No.

Travelers Rest, SC: 800-476-4103 • Simi Valley, CA: 800-423-0150 • Fax: 864-834-3518 • www.tsbrass.com

ITEM NO.	SALES NO.	DESCRIPTION
1	009616-40	Lower Support Rod Assembly w/ Mounting Screws
2	B-WH6H-NS	6" Wrist Action Handle, Red Index & Screw
3	B-WH6	6" Wrist Action Handle
4	012443-40NS	Quarter-Turn Eterna Cartridge w/ Spring Check, RTC
5	001193-19NS	Red Button Index, Press-in
6	B-0969	1/2" NPT Vacuum Breaker
7	002534-25	Close Nipple, 1/2" NPT
8	018506-19NS	Blue Button Index, Press-in
9	000925-45	Lab Handle Screw
10	B-WH6C-NS	6" Wrist Action Handle, Blue Index & Screw
11	012442-40NS	Quarter-Turn Eterna Cartridge w/ Spring Check, LTC
12	001019-45	Coupling Nut Washer
13	000721-25	Flange Coupling Nut
14	000611-25	Extension, 1 3/4" Long
15	00JJ-XT	1/2" NPT Female Inlet Assembly w/ Integral Stop & Extension
16	000763-20	Seat
17	002892-40	Spindle Assembly w/ Cap
18	001605-45	Cap
19	001802-45	Handle, Supply Stop "T"
20	002432-45	Screw, Tee Handle



**Product Specifications:**

8" Wall Mount Service Sink Faucet, Quarter-Turn Eterna Cartridges w/ Spring Checks, 6" Wrist Action Handles, Upper Support Rod, Garden Hose Male Outlet, Polished Chrome Finish, 1/2" NPT Vacuum Breaker & 1/2" NPT Extended Inlets w/ Integral Stops

**Product Compliance:**

ASME A112.18.1 / CSA B125.1  
NSF 61 - Section 9  
NSF 372 (Low Lead Content)  
ANSI A117.1 (ADA)  
ASSE 1001 (VB)