



T&S BRASS AND BRONZE WORKS, INC.

2 Saddleback Cove / P.O. Box 1088
Travelers Rest, SC 29690



REG. #A2601
ISO #9001

Model No.

B-0664-02

Item No.

Travelers Rest, SC: 800-476-4103 • Simi Valley, CA: 800-423-0150 • Fax: 864-834-3518 • www.tsbrass.com

This Space for Architect/Engineer Approval

Job Name _____ Date _____

Model Specified _____ Quantity _____

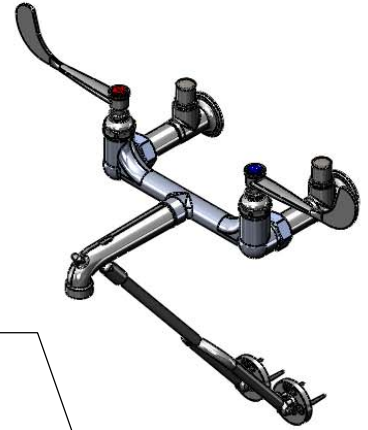
Customer/Wholesaler _____

Contractor _____

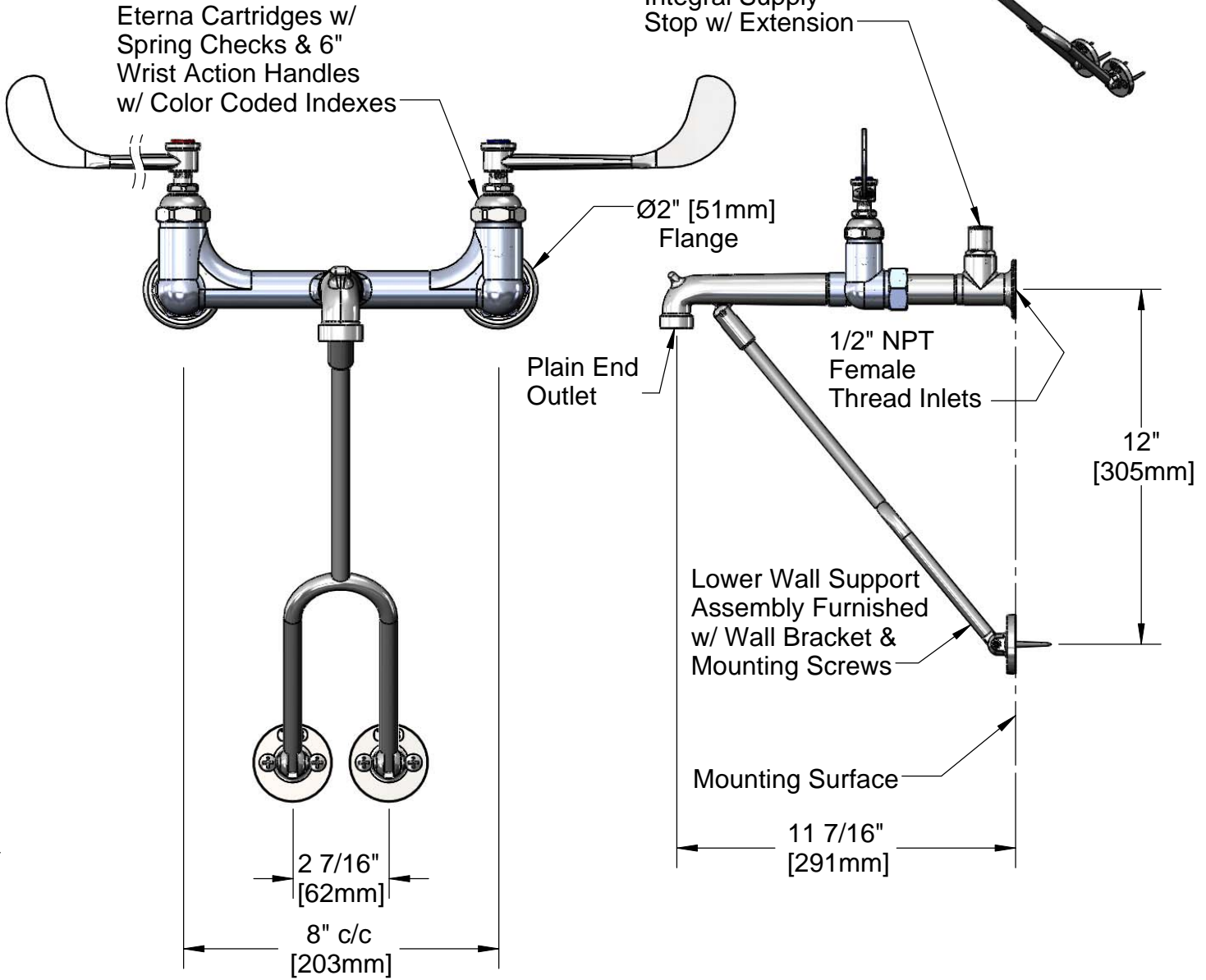
Architect/Engineer _____



ADA Compliant



00JJ-XT
Integral Supply
Stop w/ Extension



Product Specifications:
8" c/c Service Sink w/ Plain End Spout, Polish Chrome,
Lower Wall Support, 6" Wrist Action Handles, 1/2" NPT Female
Inlet w/ Integral Stops & Extensions

Drawn DHL	Checked JRM	Approved JHB
Scale: 1:4		Date: 03/22/11



T&S BRASS AND BRONZE WORKS, INC.

2 Saddleback Cove / P.O. Box 1088
Travelers Rest, SC 29690



REG. #A2601
ISO #9001

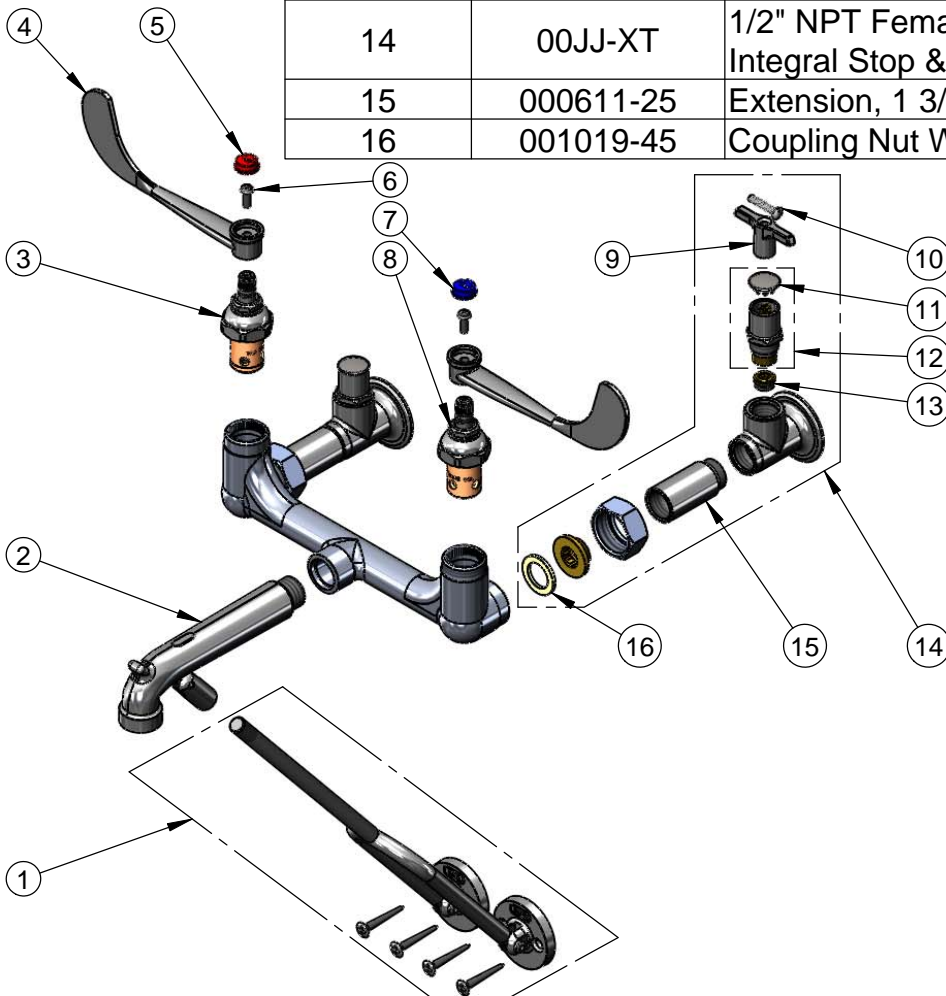
Model No.

B-0664-02

Item No.

Travelers Rest, SC: 800-476-4103 Simi Valley, CA: 800-423-0150 Fax: 864-834-3518 www.tsbrass.com

ITEM NO.	SALES NO.	DESCRIPTION
1	009616-40	Lower Support Rod Assembly
2	017535-40	Spout Assembly, Plain Outlet & Lower Clevis
3	012443-40	Hot Eterna Spindle Assembly w/ Spring Check
4	B-WH6	6" Wrist Action Handle
5	001194-45	Red HW Index
6	000925-45	Lab Handle Screw
7	001686-45	Blue CW Index
8	012442-40	Cold Eterna Spindle Assembly w/ Spring Check
9	001802-45	Handle, Supply Stop "T"
10	002432-45	Loose Key Handle Screw
11	001605-45	Cap
12	002892-40	Spindle Asm w/ Cap
13	000763-20	Seat
14	00JJ-XT	1/2" NPT Female Thread Inlet Assembly w/ Integral Stop & Extension
15	000611-25	Extension, 1 3/4" Long
16	001019-45	Coupling Nut Washer



Product Specifications:

8" c/c Service Sink w/ Plain End Spout, Polish Chrome,
Lower Wall Support, 6" Wrist Action Handles, 1/2" NPT Female
Inlet w/ Integral Stops & Extensions

Drawn DHL	Checked JRM	Approved JHB
Scale: NTS		Date: 03/22/11