



# T&S BRASS AND BRONZE WORKS, INC.

2 Saddleback Cove / P.O. Box 1088  
Travelers Rest, SC 29690

Model No.

**B-0667-RGH**

Item No.

Travelers Rest, SC: 800-476-4103 • Simi Valley, CA: 800-423-0150 • Fax: 864-834-3518 • www.tsbrass.com



**ADA Compliant**

This Space for Architect/Engineer Approval

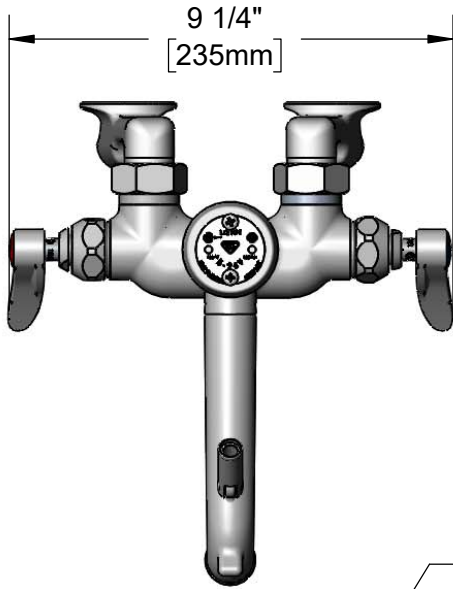
Job Name \_\_\_\_\_ Date \_\_\_\_\_

Model Specified \_\_\_\_\_ Quantity \_\_\_\_\_

Customer/Wholesaler \_\_\_\_\_

Contractor \_\_\_\_\_

Architect/Engineer \_\_\_\_\_



Support Rod w/  
Wall Bracket &  
Mounting Screws

Items Not Shown  
For Clarity

B-0969  
1/2" NPT Vacuum  
Breaker

Rough Chrome  
Finish on Faucet  
Body & Spout

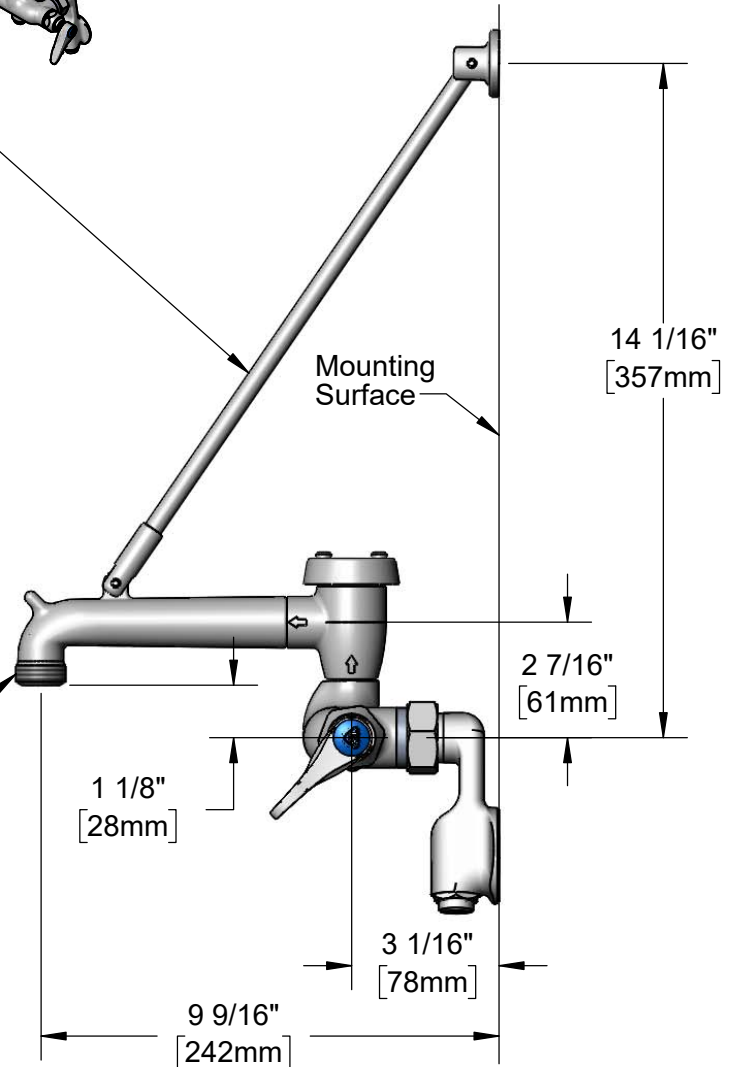
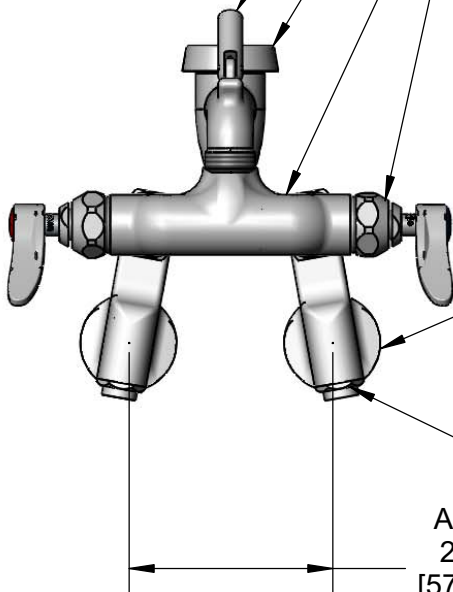
Quarter-Turn  
Eterna Cartridges w/  
Spring Checks &  
Lever Handles w/  
Color Coded Indexes

Garden Hose  
Male Outlet

Ø 2" [51mm]  
Flanges w/  
1/2" NPT  
Female Inlets

Built-In Service  
Stops

Adjustable from  
2 1/4" to 8 1/4"  
[57mm to 210mm]  
Above or Below c/c



### Product Specifications:

Wall Mount Service Sink, Quarter-Turn Eterna Cartridges w/ Spring Checks, Lever Handles, Upper Support Rod, Spout w/ Garden Hose Male Outlet, Rough Chrome Finish, 1/2" NPT Vacuum Breaker & 1/2" Female Inlet Adjustable Wall Flanges w/ Integral Service Stops

### Product Compliance:

ASME A112.18.1 / CSA B125.1  
NSF 61 - Section 9  
NSF 372 (Low Lead Content)  
ANSI A117.1 (ADA)  
ASSE 1001 (VB)

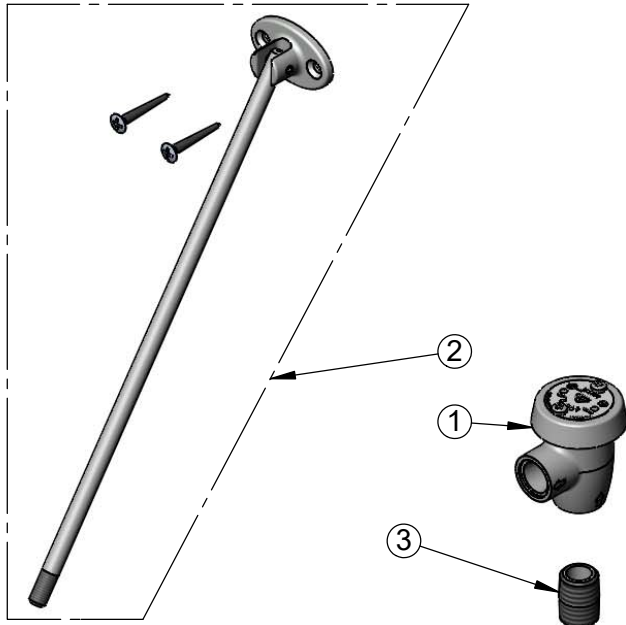


**T&S BRASS AND BRONZE WORKS, INC.**  
 2 Saddleback Cove / P.O. Box 1088  
 Travelers Rest, SC 29690

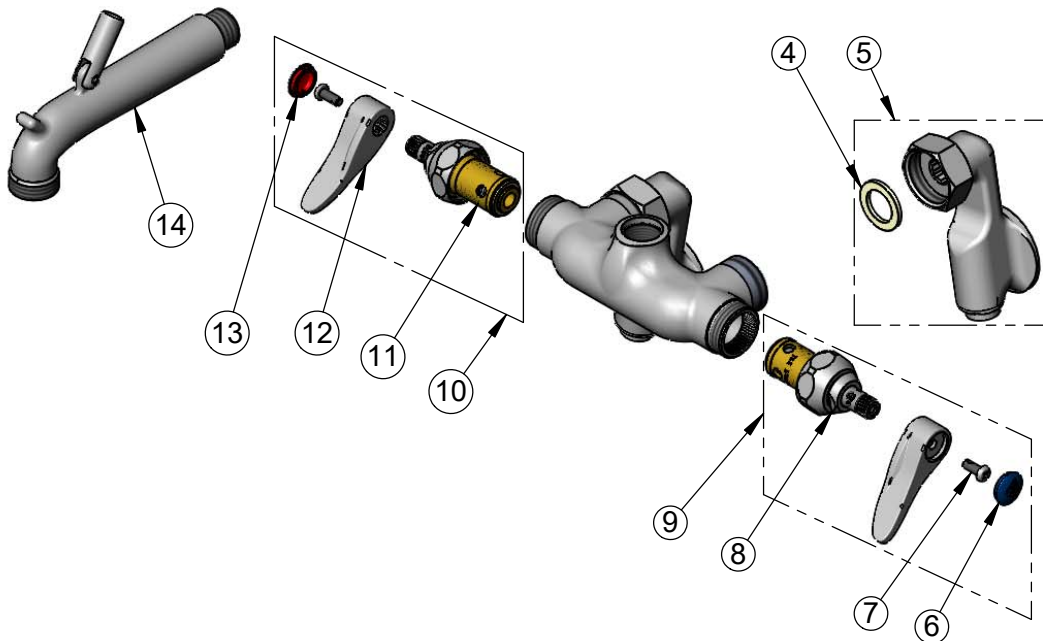
Model No.  
**B-0667-RGH**

Item No.

Travelers Rest, SC: 800-476-4103 • Simi Valley, CA: 800-423-0150 • Fax: 864-834-3518 • www.tsbrass.com



ITEM NO.	SALES NO.	DESCRIPTION
1	B-0969	1/2" NPT Vacuum Breaker
2	009546-40	Upper Support Rod
3	002534-25	Close Nipple, 1/2" NPT
4	001019-45	Coupling Nut Washer
5	00XX-RGH	1/2" NPT Fem. Adj. Arm Inlet w/ Screwdriver Stop - Rough Chrome
6	018506-19NS	Blue Button Index, Press-in
7	000925-45	Lab Handle Screw
8	012442-40NS	Quarter-Turn Eterna Cartridge w/ Spring Check, LTC
9	002711-40NS	Quarter-Turn Eterna Cartridge w/ Spring Check, Handle, Blue Index & Screw, LTC
10	002712-40NS	Quarter-Turn Eterna Cartridge w/ Spring Check, Handle, Red Index & Screw, RTC
11	012443-40NS	Quarter-Turn Eterna Cartridge w/ Spring Check, RTC
12	001638-45NS	Lever Handle (New Style)
13	001193-19NS	Red Button Index, Press-in
14	009545-25	Spout w/ Upper Clevis - Rough Chrome



**Product Specifications:**

Wall Mount Service Sink, Quarter-Turn Eterna Cartridges w/ Spring Checks, Lever Handles, Upper Support Rod, Spout w/ Garden Hose Male Outlet, Rough Chrome Finish, 1/2" NPT Vacuum Breaker & 1/2" Female Inlet Adjustable Wall Flanges w/ Integral Service Stops

**Product Compliance:**

ASME A112.18.1 / CSA B125.1  
 NSF 61 - Section 9  
 NSF 372 (Low Lead Content)  
 ANSI A117.1 (ADA)  
 ASSE 1001 (VB)