



# T&S BRASS AND BRONZE WORKS, INC.

2 Saddleback Cove / P.O. Box 1088  
Travelers Rest, SC 29690

Model No.

**B-0695**

Item No.

Travelers Rest, SC: 800-476-4103 • Simi Valley, CA: 800-423-0150 • Fax: 864-834-3518 • www.tsbrass.com

This Space for Architect/Engineer Approval

Job Name \_\_\_\_\_ Date \_\_\_\_\_

Model Specified \_\_\_\_\_ Quantity \_\_\_\_\_

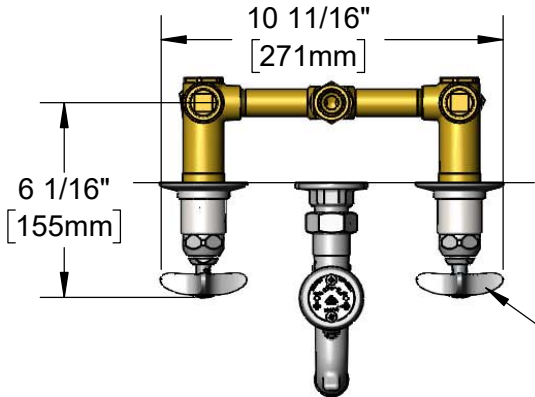
Customer/Wholesaler \_\_\_\_\_

Contractor \_\_\_\_\_

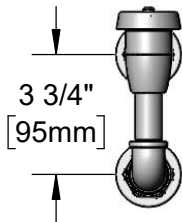
Architect/Engineer \_\_\_\_\_



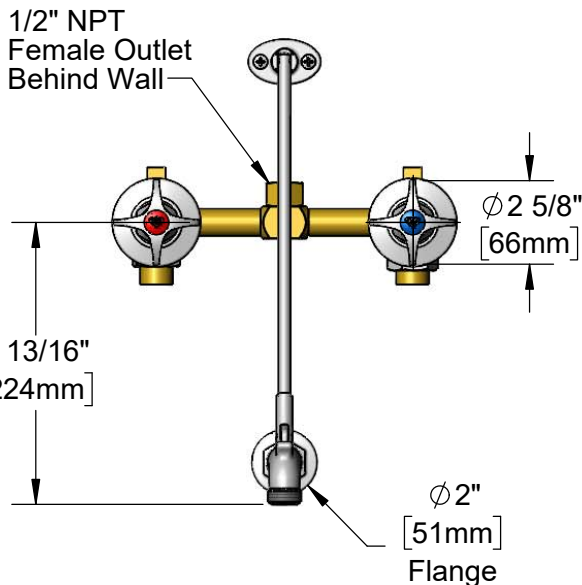
**ADA Compliant**



Quarter-Turn Eterna Cartridges w/ Spring Checks & 4-Arm Handles w/ Color Coded Indexes



B-0929-A  
1/2" NPT  
Elevated  
Vacuum Breaker



1/2" NPT  
Female Outlet  
Behind Wall

$\phi$  2 5/8"  
[66mm]

$\phi$  2"  
[51mm]  
Flange

Upper Wall Support  
Rod w/ Wall Bracket  
& Mounting Screws

Pail Hook Spout  
w/ Garden Hose  
Male Outlet

6 3/16"  
[156mm]

Mounting Surface

$\phi$  2" [51mm]  
Flanges w/  
1/2" NPT  
Female  
Inlet/Outlet

Concealed  
Mixing Valve

1/2" NPT  
Female Inlets

2 1/2"  
[64mm]  
Minimum  
3 1/2"  
[90mm]  
Maximum

**Rough-In Requirement:**  
(2)  $\phi$  1 1/2" [38mm] Mounting Holes  
for Concealed Mixing Valve

Product Specifications:

8" Wall Mount Concealed Mixing Valve, Quarter-Turn Eterna Cartridges w/ Spring Checks, 4-Arm Handles, Elevated Vacuum Breaker, Spout w/ Garden Hose Male Outlet & Upper Support Rod & 1/2" Female Inlets/Outlets

Product Compliance:

ASME A112.18.1 / CSA B125.1  
NSF 61 - Section 9  
NSF 372 (Low Lead Content)  
ANSI A117.1 (ADA)  
ASSE 1001 (VB)

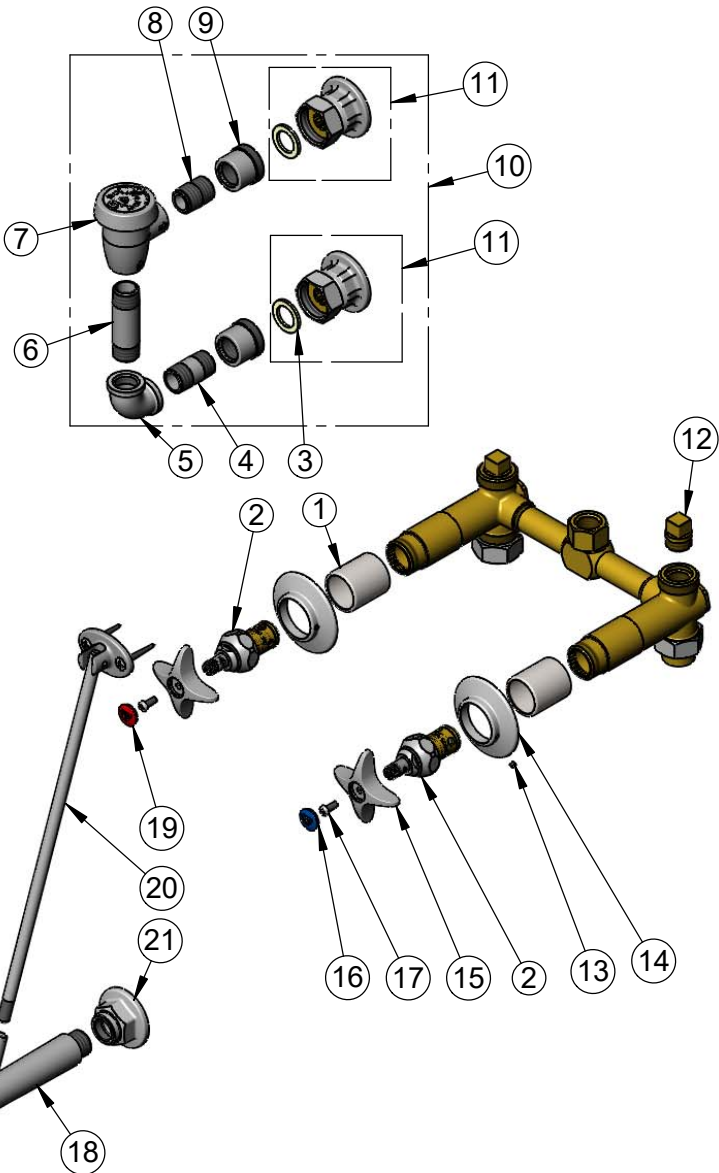


**T&S BRASS AND BRONZE WORKS, INC.**  
 2 Saddleback Cove / P.O. Box 1088  
 Travelers Rest, SC 29690

Model No.  
**B-0695**

Item No.

Travelers Rest, SC: 800-476-4103 • Simi Valley, CA: 800-423-0150 • Fax: 864-834-3518 • www.tsbrass.com



ITEM NO.	SALES NO.	DESCRIPTION
1	151F	Escutcheon Tube
2	012443-40NS	Quarter-Turn Eterna Cartridge w/ Spring Check, RTC
3	001019-45	Coupling Nut Washer
4	001509-40	Nipple, 1/2" NPT x 1 1/2"
5	001357-40	1/2" NPT Elbow
6	001510-40	Nipple, 1/2" NPT x 2 5/8"
7	B-0969	1/2" NPT Vacuum Breaker
8	002534-25	Close Nipple, 1/2" NPT
9	000870-40	Union, Male Half
10	B-0929-A	1/2" NPT Atmospheric Vacuum Breaker
11	00AA	1/2" NPT Eccentric Female Flange
12	001347-20	1/2" NPT Plug
13	000939-45	Escutcheon, Set Screw
14	001501-40	Escutcheon
15	002521-45NS	4-Arm Handle (New Style)
16	018506-19NS	Blue Button Index, Press-in
17	000925-45	Lab Handle Screw
18	009545-40	Spout w/ Male GH Outlet & Upper Clevis - Polished Chrome
19	001193-19NS	Red Button Index, Press-in
20	009546-40	Upper Support Rod
21	000013-40	Flange, 1/2" NPT Wall Mount

Product Specifications:  
 8" Wall Mount Concealed Mixing Valve, Quarter-Turn Eterna Cartridges w/ Spring Checks, 4-Arm Handles, Elevated Vacuum Breaker, Spout w/ Garden Hose Male Outlet & Upper Support Rod & 1/2" Female Inlets/Outlets

Product Compliance:  
 ASME A112.18.1 / CSA B125.1  
 NSF 61 - Section 9  
 NSF 372 (Low Lead Content)  
 ANSI A117.1 (ADA)  
 ASSE 1001 (VB)