



**T&S BRASS AND BRONZE WORKS, INC.**  
 2 Saddleback Cove / P.O. Box 1088  
 Travelers Rest, SC 29690

Model No.  
**B-0800**

Item No.

Travelers Rest, SC: 800-476-4103 • Simi Valley, CA: 800-423-0150 • Fax: 864-834-3518 • www.tsbrass.com



**ADA Compliant**

This Space for Architect/Engineer Approval

Job Name \_\_\_\_\_ Date \_\_\_\_\_

Model Specified \_\_\_\_\_ Quantity \_\_\_\_\_

Customer/Wholesaler \_\_\_\_\_

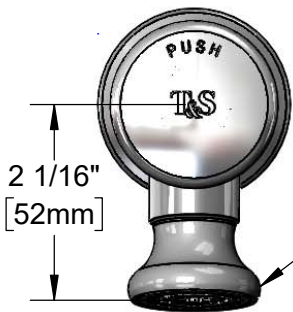
Contractor \_\_\_\_\_

Architect/Engineer \_\_\_\_\_



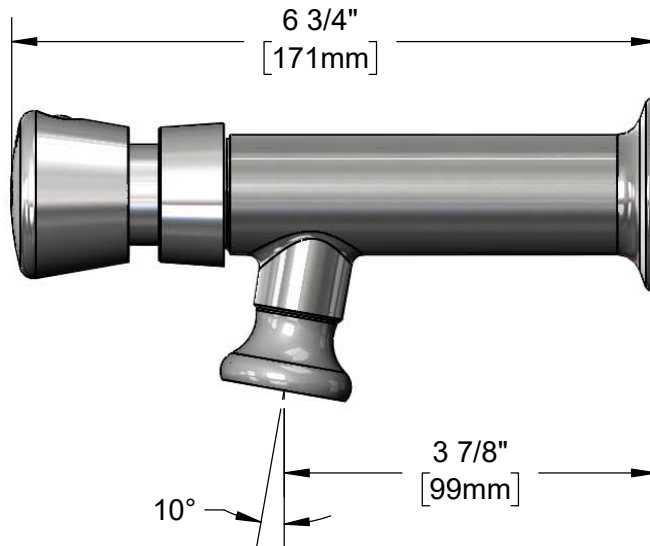
Metering Cartridge  
 (Requires 3/32" Hex  
 Key for Adjustment)

Blank Push Button Cap  
 & Spanner Bit



2 1/16"  
 [52mm]

2.2 GPM  
 Rosespray  
 Outlet



Ø 2" [51mm]  
 Flange w/  
 1/2" NPT  
 Female Inlet

Product Specifications:  
 Wash Sink Metering Faucet w/ 2.2 GPM Rosespray, Push Button Metering  
 Cartridge & 1/2" NPT Female Inlet

Product Compliance:  
 ASME A112.18.1 / CSA B125.1  
 NSF 61 - Section 9  
 NSF 372 (Low Lead Content)  
 ANSI A117.1 (ADA)



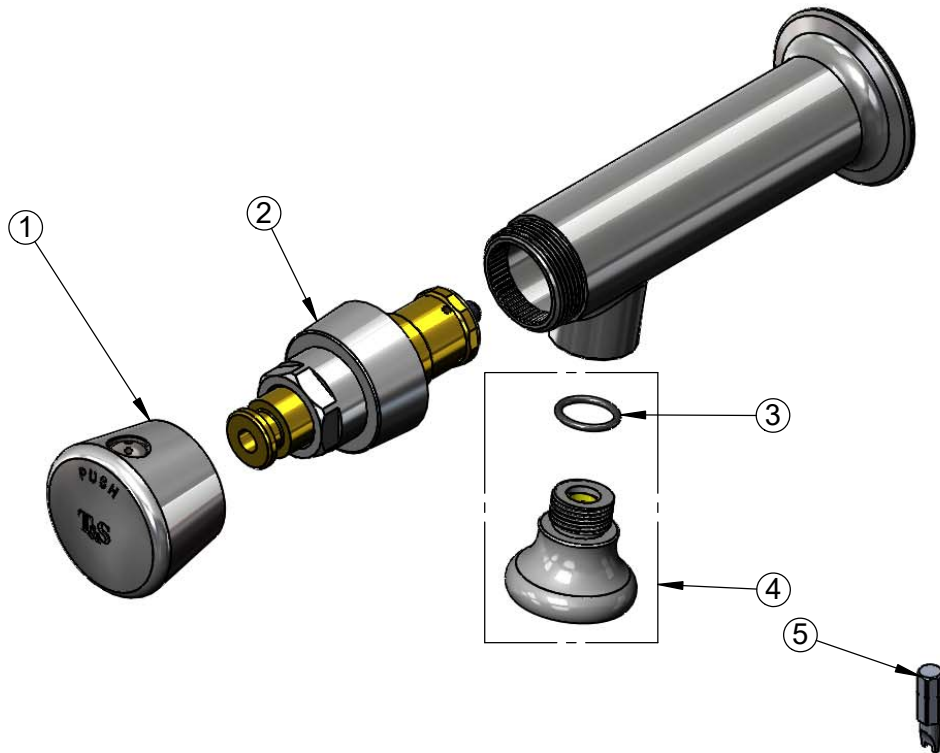
**T&S BRASS AND BRONZE WORKS, INC.**  
2 Saddleback Cove / P.O. Box 1088  
Travelers Rest, SC 29690

Model No.  
**B-0800**

Item No.

Travelers Rest, SC: 800-476-4103 • Simi Valley, CA: 800-423-0150 • Fax: 864-834-3518 • www.tsbrass.com

ITEM NO.	SALES NO.	DESCRIPTION
1	014193-40	Push Button Cap Assembly
2	238A	Push Button Metering Cartridge
3	006575-45	-015 O-Ring
4	B-0103	2.2 GPM Rosespray, 3/8-18 NPT Male
5	014734-45	#8 Spanner Bit



Product Specifications:  
Wash Sink Metering Faucet w/ 2.2 GPM Rosespray, Push Button Metering Cartridge & 1/2" NPT Female Inlet

Product Compliance:  
ASME A112.18.1 / CSA B125.1  
NSF 61 - Section 9  
NSF 372 (Low Lead Content)  
ANSI A117.1 (ADA)