



# T&S BRASS AND BRONZE WORKS, INC.

2 Saddleback Cove / P.O. Box 1088  
Travelers Rest, SC 29690

Model No.

**B-0807-VR**

Item No.

Travelers Rest, SC: 800-476-4103 • Simi Valley, CA: 800-423-0150 • Fax: 864-834-3518 • www.tsbrass.com



**ADA Compliant**

This Space for Architect/Engineer Approval

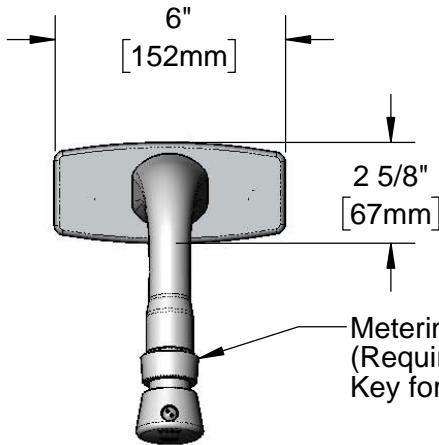
Job Name \_\_\_\_\_ Date \_\_\_\_\_

Model Specified \_\_\_\_\_ Quantity \_\_\_\_\_

Customer/Wholesaler \_\_\_\_\_

Contractor \_\_\_\_\_

Architect/Engineer \_\_\_\_\_



Metering Cartridge  
(Requires 3/32" Hex Key for Adjustment)



Blank Push Button Cap

B-0199-07  
2.2 GPM Vandal Resistant Aerator

Polish Chrome Plated Solid Brass Deck Plate

Ø1" [25mm]  
Locking Studs

Mounting Surface

13/16" [21mm]  
Maximum Thickness

4" [102mm]

1 15/16" [48mm]

6 9/16" [167mm]

5 1/4" [134mm]

4 5/16" [109mm]

Temperature Mixing Valve w/ Integral Check Valves

3/8" Compression x 1/2" NPSM  
18" Flexible Stainless Steel Supply Hoses

**Rough-In Requirement:**  
Center Shank - Ø1" [25mm] Mounting Hole  
Posts - (2) Ø1 1/8" [29mm] Mounting Holes

**Product Specifications:**

Single Hole, Single Temperature Deck Mount Faucet, Push Button Metering Cartridge, 2.2 GPM Vandal Resistant Aerator, Chrome Plated Deck Plate Temperature Control Mixing Valve w/ Integral Check Valves & 18" Flexible Stainless Steel Supply Hoses w/ 3/8" Compression Female Inlets

**Product Compliance:**

ASME A112.18.1 / CSA B125.1  
NSF 61 - Section 9  
NSF 372 (Low Lead Content)  
ANSI A117.1 (ADA)



# T&S BRASS AND BRONZE WORKS, INC.

2 Saddleback Cove / P.O. Box 1088  
Travelers Rest, SC 29690

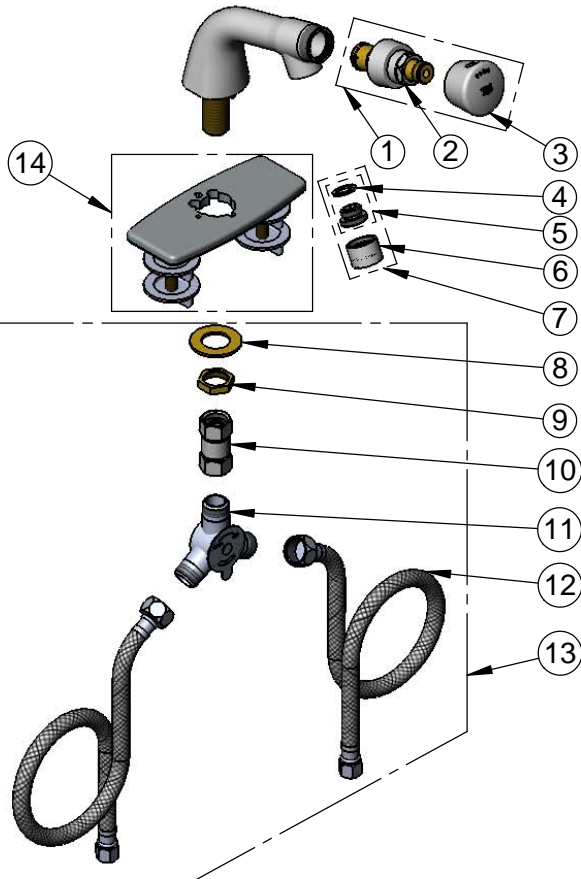
Model No.

**B-0807-VR**

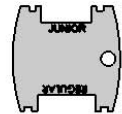
Item No.

Travelers Rest, SC: 800-476-4103 • Simi Valley, CA: 800-423-0150 • Fax: 864-834-3518 • www.tsbrass.com

ITEM NO.	SALES NO.	DESCRIPTION
1	238AB	Metering Cartridge w/ Blank Push Button Cap & Spanner Bit
2	238A	Push Button, Metering Cartridge
3	014193-40	Blank Push Button Cap
4	001043-45	Washer
5	044A	3/8" to Aerator Adapter
6	B-0199-06	VR 2.2 GPM Aerator, 55/64-27 UN Female w/ Key
7	B-0199-07	VR 2.2 GPM Aerator, 3/8" NPSM Male w/ Key
8	000999-45	Brass Lock Washer
9	002954-45	Shank Lock Nut
10	017506-45	1/2" NPSM Swivel Coupling
11	5EF-0006	Mechanical Mixing Valve
12	5EF-0005	Supply Hose, 9/16-24 Female x 1/2" NPSM
13	019806-40	Temperature Control Mixing Valve w/ Flexible 3/8" Compression Female Inlets
14	013433-40	4" Forged Deck Plate



014734-45  
#8 Spanner Bit



015425-45  
Vandal Resistant Key

**Product Specifications:**

Single Hole, Single Temperature Deck Mount Faucet, Push Button Metering Cartridge, 2.2 GPM Vandal Resistant Aerator, Chrome Plated Deck Plate Temperature Control Mixing Valve w/ Integral Check Valves & 18" Flexible Stainless Steel Supply Hoses w/ 3/8" Compression Female Inlets

**Product Compliance:**

ASME A112.18.1 / CSA B125.1  
NSF 61 - Section 9  
NSF 372 (Low Lead Content)  
ANSI A117.1 (ADA)