



**T&S BRASS AND BRONZE WORKS, INC.**  
 2 Saddleback Cove / P.O. Box 1088  
 Travelers Rest, SC 29690

Model No.  
**B-0929**

Item No.

Travelers Rest, SC: 800-476-4103 • Simi Valley, CA: 800-423-0150 • Fax: 864-834-3518 • www.tsbrass.com

This Space for Architect/Engineer Approval

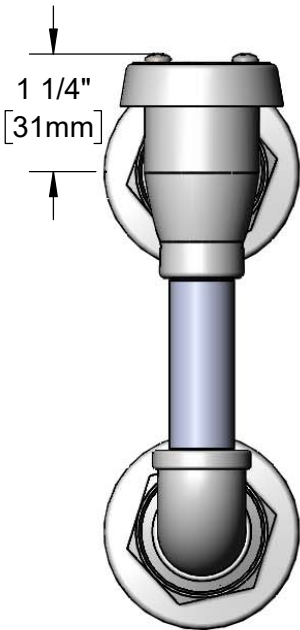
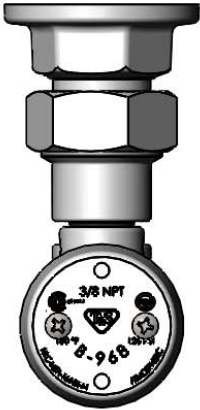
Job Name \_\_\_\_\_ Date \_\_\_\_\_

Model Specified \_\_\_\_\_ Quantity \_\_\_\_\_

Customer/Wholesaler \_\_\_\_\_

Contractor \_\_\_\_\_

Architect/Engineer \_\_\_\_\_



B-0968  
 3/8" NPT  
 Vacuum  
 Breaker

Mounting Surface

3 3/8"  
 [85mm]

Ø 2" [51mm]  
 Flange w/  
 3/8" NPT  
 Female Outlet

3 3/4"  
 [95mm]

Ø 2" [51mm]  
 Flange w/  
 3/8" NPT  
 Female Inlet

Product Specifications:  
 3/8" NPT Atmospheric Vacuum Breaker, 3/8" NPT Inlet & Outlet,  
 Polished Chrome

Product Compliance:  
 ASME A112.18.1 / CSA B125.1  
 NSF 61 - Section 9  
 NSF 372 (Low Lead Content)  
 ASSE 1001 (VB)



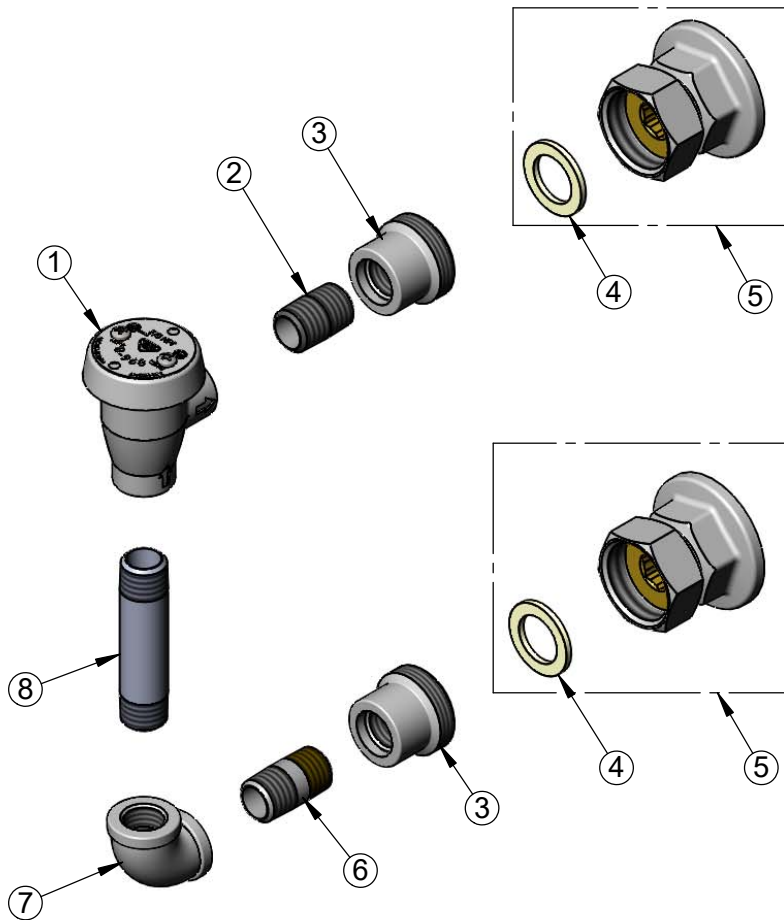
**T&S BRASS AND BRONZE WORKS, INC.**  
 2 Saddleback Cove / P.O. Box 1088  
 Travelers Rest, SC 29690

Model No.  
**B-0929**

Item No.

Travelers Rest, SC: 800-476-4103 • Simi Valley, CA: 800-423-0150 • Fax: 864-834-3518 • www.tsbrass.com

ITEM NO.	SALES NO.	DESCRIPTION
1	B-0968	3/8" NPT Vacuum Breaker
2	002535-25	3/8" Close Nipple
3	000869-40	Union Male Half
4	001019-45	Coupling Nut Washer
5	00QQ	3/8" NPT Eccentric Female Flange
6	000355-40	Nipple, 3/8 NPT x 1 1/4
7	001355-40	Elbow, 3/8 NPT
8	001796-40	Nipple, 3/8 NPT x 2 3/4



Product Specifications:  
 3/8" NPT Atmospheric Vacuum Breaker, 3/8" NPT Inlet & Outlet,  
 Polished Chrome

Product Compliance:  
 ASME A112.18.1 / CSA B125.1  
 NSF 61 - Section 9  
 NSF 372 (Low Lead Content)  
 ASSE 1001 (VB)