



# T&S BRASS AND BRONZE WORKS, INC.

2 Saddleback Cove / P.O. Box 1088  
Travelers Rest, SC 29690

Model No.

**B-1128-XS**

Item No.

Travelers Rest, SC: 800-476-4103 • Simi Valley, CA: 800-423-0150 • Fax: 864-834-3518 • www.tsbrass.com



**ADA Compliant**

This Space for Architect/Engineer Approval

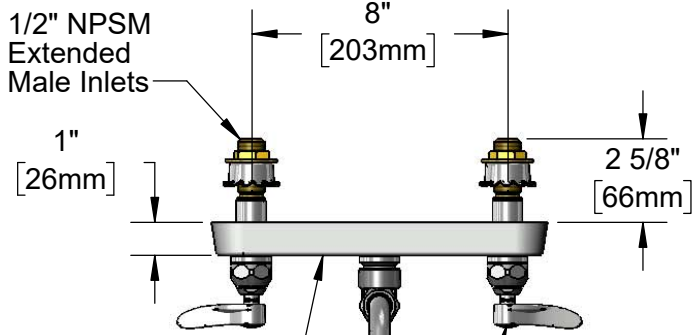
Job Name \_\_\_\_\_ Date \_\_\_\_\_

Model Specified \_\_\_\_\_ Quantity \_\_\_\_\_

Customer/Wholesaler \_\_\_\_\_

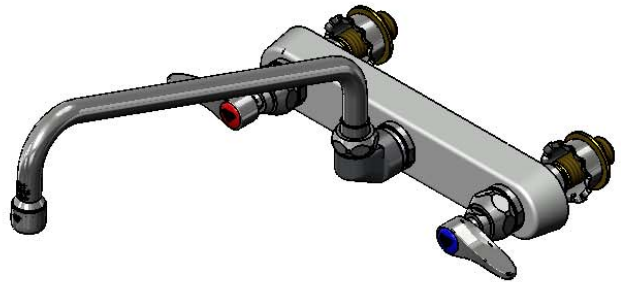
Contractor \_\_\_\_\_

Architect/Engineer \_\_\_\_\_

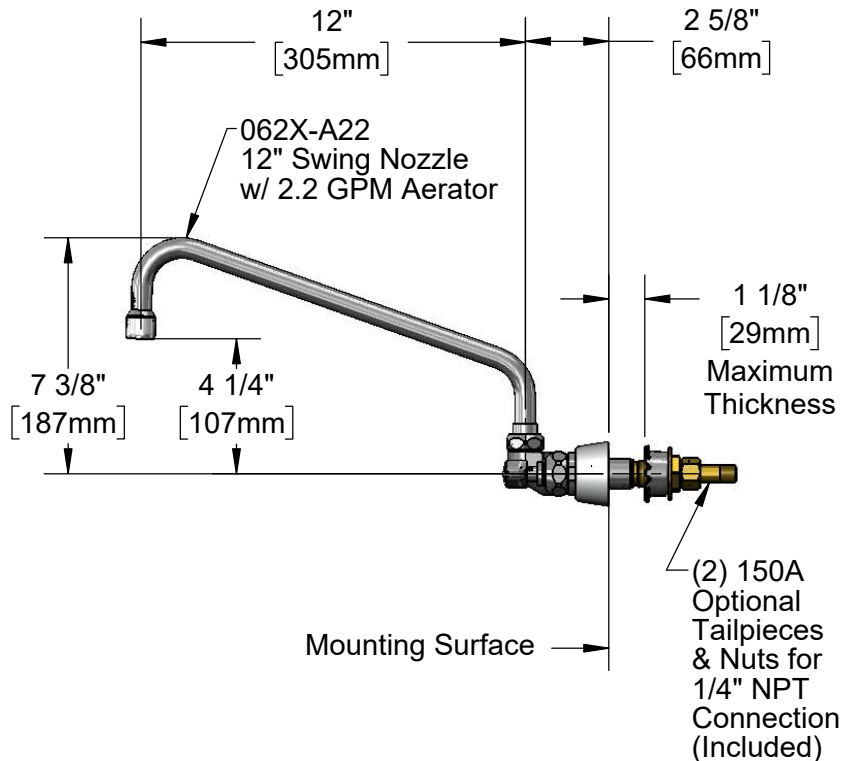
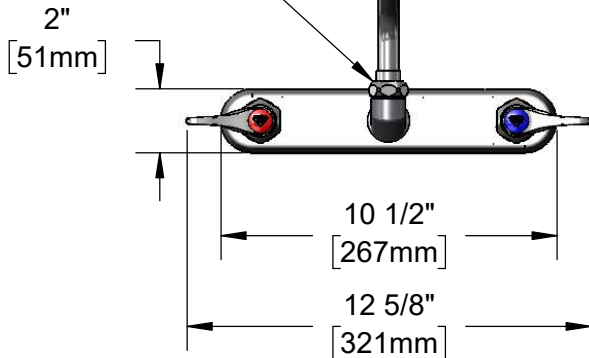


Polished Chrome Plated Escutcheon

Quarter-Turn Eterna Cartridges w/ Spring Checks & Lever Handles w/ Color Coded Indexes



Swivel Joint Converts to Rigid w/ 014200-45 Lock Washer (Included)



Rough-In Requirement:  
(2)  $\phi$  1" [25mm] Mounting Holes

**Product Specifications:**

8" Wall Mount Workboard Faucet, Quarter-Turn Eterna Cartridges w/ Spring Checks, Lever Handles, 12" Swing Nozzle, 2.2 GPM Aerator & 1/2" NPSM Extended Male Inlets

**Product Compliance:**

ASME A112.18.1 / CSA B125.1  
NSF 61 - Section 9  
NSF 372 (Low Lead Content)  
ANSI A117.1 (ADA)



# T&S BRASS AND BRONZE WORKS, INC.

2 Saddleback Cove / P.O. Box 1088  
Travelers Rest, SC 29690

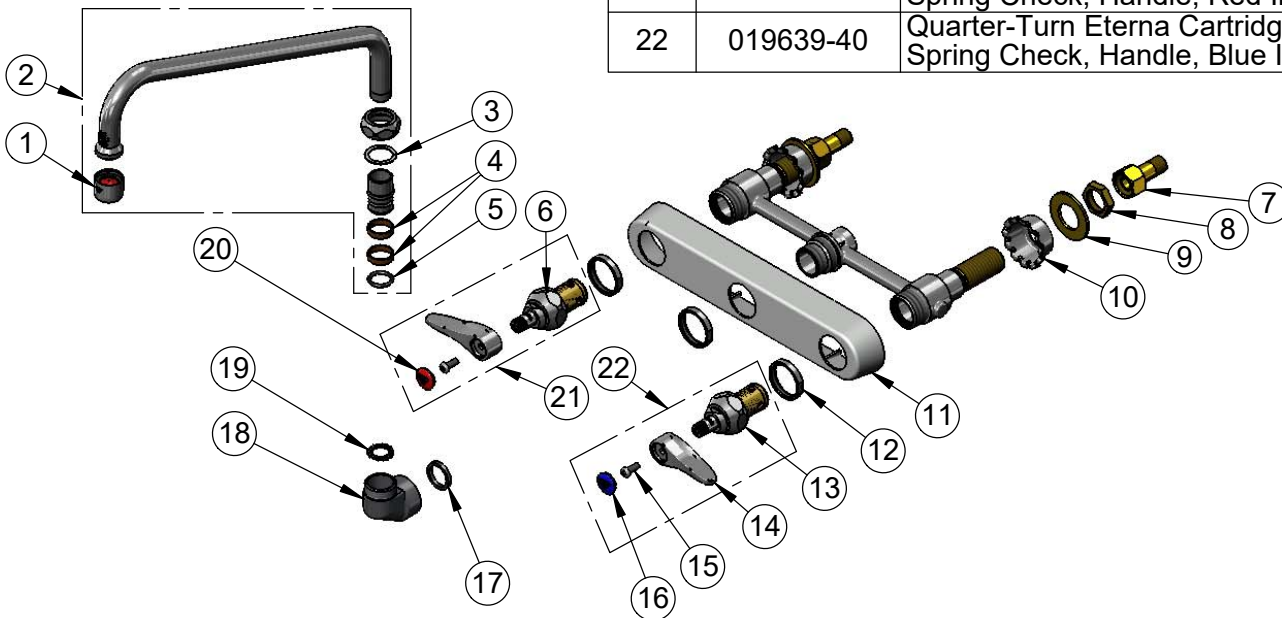
Model No.

**B-1128-XS**

Item No.

Travelers Rest, SC: 800-476-4103 • Simi Valley, CA: 800-423-0150 • Fax: 864-834-3518 • www.tsbrass.com

ITEM NO.	SALES NO.	DESCRIPTION
1	B-0199-01	2.2 GPM Aerator, 55/64"-27 UN Female
2	062X-A22	12" Swing Nozzle w/ 2.2 GPM Aerator
3	009538-45	Swivel Washer
4	011429-45	Swivel Sleeves (2)
5	001074-45	O-Ring
6	012442-40NS	Quarter-Turn Eterna Cartridge w/ Spring Check, LTC
7	150A	1/4" NPT Tailpiece & Nut
8	002954-45	Shank Lock Nut
9	000999-45	Brass Lock Washer
10	001000-45	Rosette Washer
11	019375-40	B-1120 Eterna Workboard Escutcheon
12	019376-40	Escutcheon Lock Nut
13	012443-40NS	Quarter-Turn Eterna Cartridge w/ Spring Check, RTC
14	001638-45NS	Lever Handle (New Style)
15	000925-45	Lab Handle Screw
16	018506-19NS	Blue Button Index, Press-in
17	001040-45	Washer, 3/4 ID x 15/16 OD x 1/8 thick
18	000082-40	B-1100 Knob
19	014200-45	Star Washer, Anti-Rotation
20	001193-19NS	Red Button Index, Press-in
21	019638-40	Quarter-Turn Eterna Cartridge, LTC w/ Spring Check, Handle, Red Index & Screw
22	019639-40	Quarter-Turn Eterna Cartridge, RTC w/ Spring Check, Handle, Blue Index & Screw



**Product Specifications:**

8" Wall Mount Workboard Faucet, Quarter-Turn Eterna Cartridges w/ Spring Checks, Lever Handles, 12" Swing Nozzle, 2.2 GPM Aerator & 1/2" NPSM Extended Male Inlets

**Product Compliance:**

ASME A112.18.1 / CSA B125.1  
NSF 61 - Section 9  
NSF 372 (Low Lead Content)  
ANSI A117.1 (ADA)