



T&S BRASS AND BRONZE WORKS, INC.

2 Saddleback Cove / P.O. Box 1088
Travelers Rest, SC 29690

Model No.

B-1202

Item No.

Travelers Rest, SC: 800-476-4103 • Simi Valley, CA: 800-423-0150 • Fax: 864-834-3518 • www.tsbrass.com



ADA Compliant

This Space for Architect/Engineer Approval

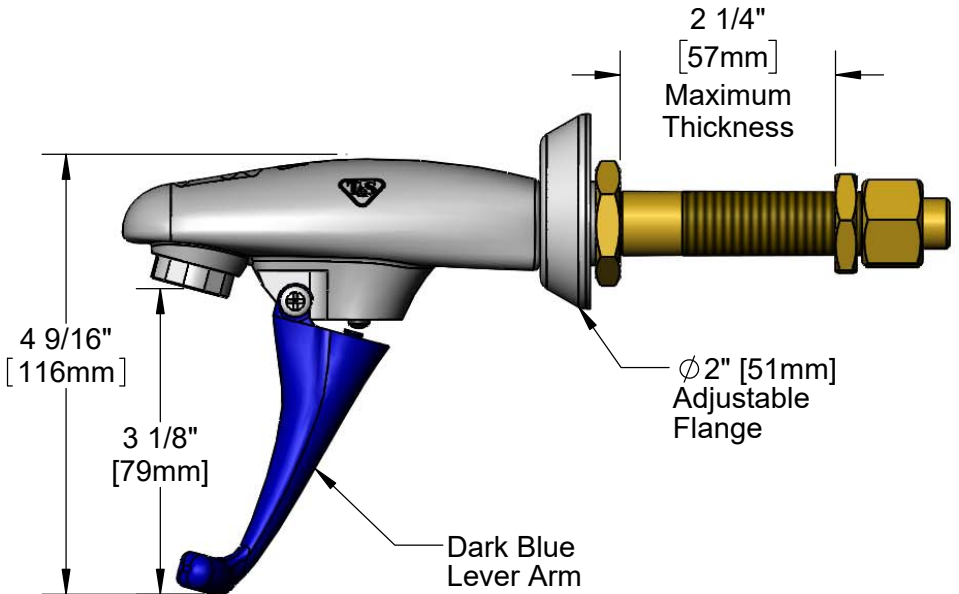
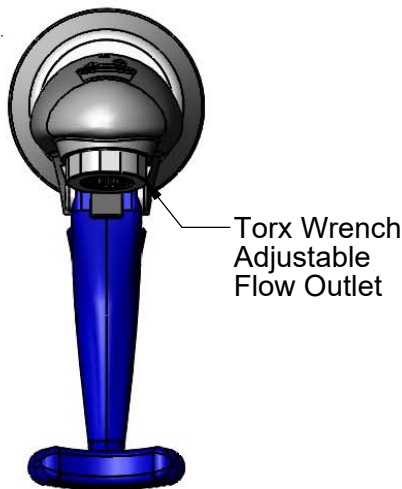
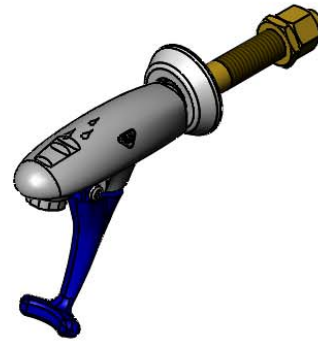
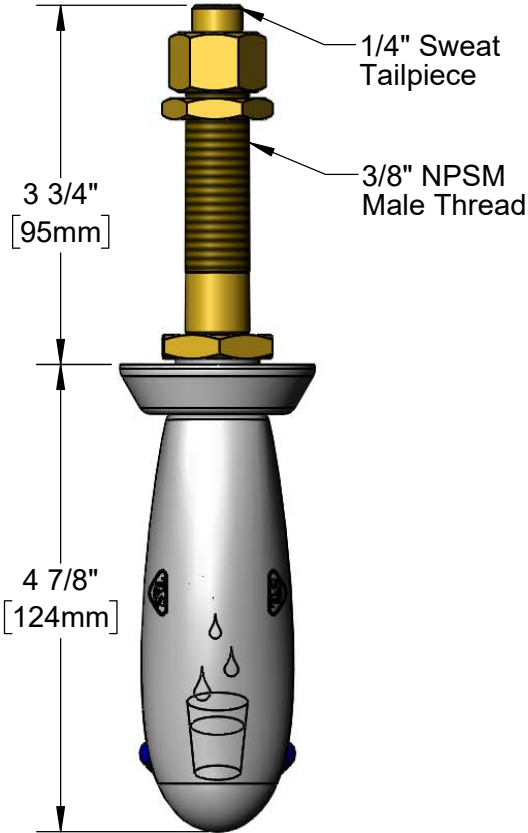
Job Name _____ Date _____

Model Specified _____ Quantity _____

Customer/Wholesaler _____

Contractor _____

Architect/Engineer _____



Rough-In Requirement:
Ø7/8" [22mm] Mounting Hole

Product Specifications:

Wall Mount Glass Filler w/ Adjustable Flange, Dark Blue Self-Closing Arm & 3/8" NPSM Male w/ 1/4" Sweat Tailpiece Inlet w/ Extended Nipple

Product Compliance:

ASME A112.18.1 / CSA B125.1
NSF 61 - Section 9
NSF 372 (Low Lead Content)
ANSI A117.1 (ADA)



T&S BRASS AND BRONZE WORKS, INC.

2 Saddleback Cove / P.O. Box 1088
Travelers Rest, SC 29690

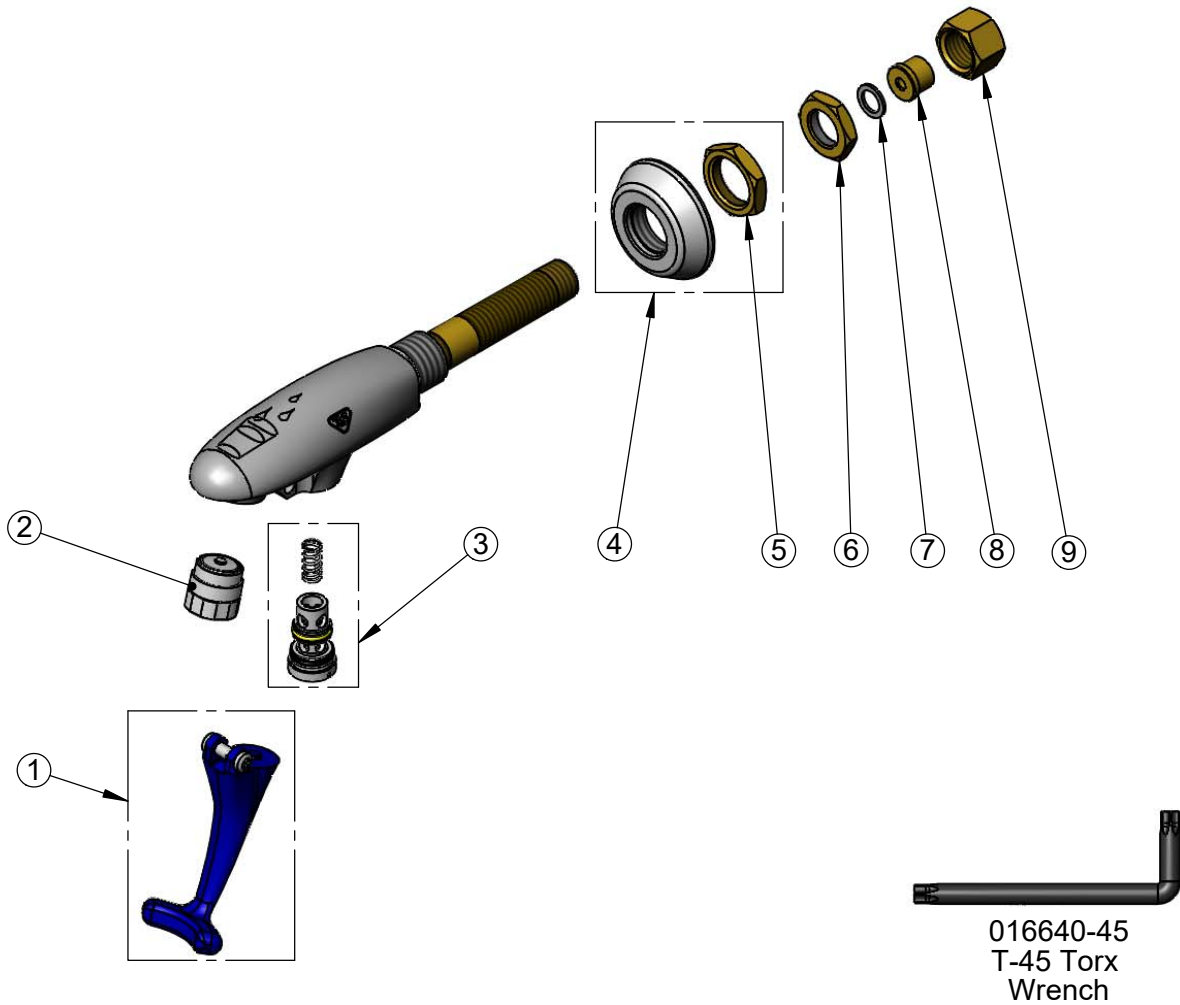
Model No.

B-1202

Item No.

Travelers Rest, SC: 800-476-4103 • Simi Valley, CA: 800-423-0150 • Fax: 864-834-3518 • www.tsbrass.com

ITEM NO.	SALES NO.	DESCRIPTION
1	015550-45	Lever Arm Repair Kit
2	015588-40	Adjustable Outlet w/ Torx Wrench
3	015589-40	Valve Assembly
4	016782-40	Adjustable Wall Flange Repair Kit
5	000713-20	Lock Nut
6	000716-20	Lock Nut
7	001030-45	Washer
8	000852-20	1/4" Sweat Tailpiece
9	000715-20	Coupling Nut



Product Specifications:

Wall Mount Glass Filler w/ Adjustable Flange, Dark Blue Self-Closing Arm & 3/8" NPSM Male w/ 1/4" Sweat Tailpiece Inlet w/ Extended Nipple

Product Compliance:

ASME A112.18.1 / CSA B125.1
NSF 61 - Section 9
NSF 372 (Low Lead Content)
ANSI A117.1 (ADA)