



**T&S BRASS AND BRONZE WORKS, INC.**  
 2 Saddleback Cove / P.O. Box 1088  
 Travelers Rest, SC 29690

Model No.  
**B-1205**

Item No.

Travelers Rest, SC: 800-476-4103 • Simi Valley, CA: 800-423-0150 • Fax: 864-834-3518 • www.tsbrass.com

This Space for Architect/Engineer Approval

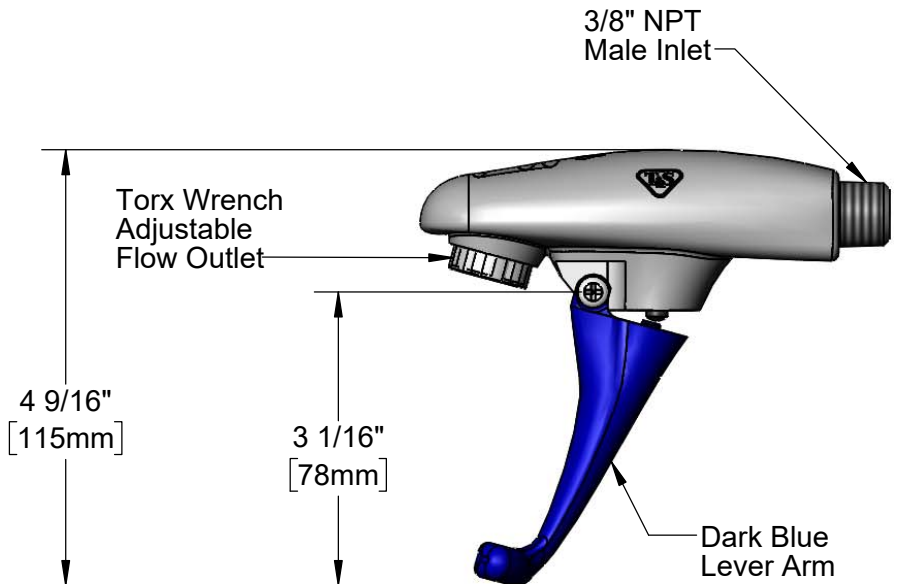
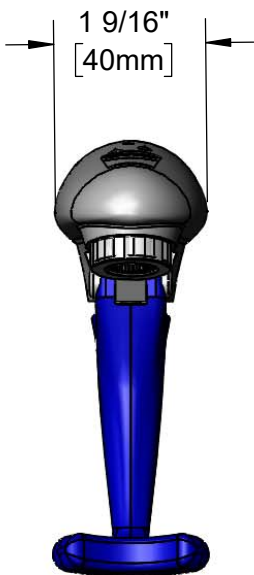
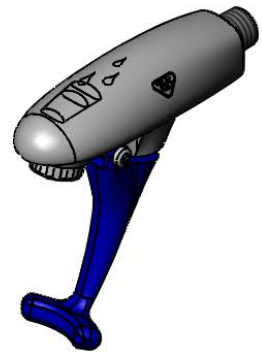
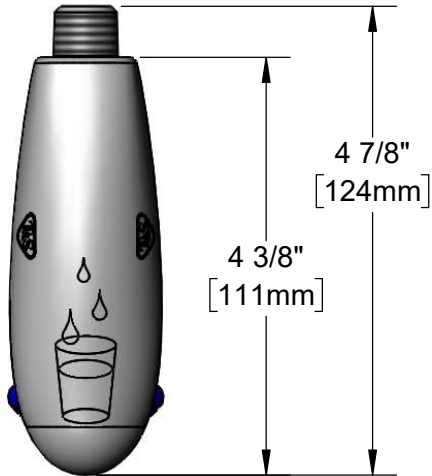
Job Name \_\_\_\_\_ Date \_\_\_\_\_

Model Specified \_\_\_\_\_ Quantity \_\_\_\_\_

Customer/Wholesaler \_\_\_\_\_

Contractor \_\_\_\_\_

Architect/Engineer \_\_\_\_\_



Rough-In Requirement:  
 $\phi$ 7/8" [22mm] Mounting Hole

Product Specifications:  
 Wall Mount Glass Filler, Push Back Design, Dark Blue Self-Closing Arm  
 & 3/8" NPT Male Inlet, Less Flange

Product Compliance:  
 ASME A112.18.1 / CSA B125.1  
 NSF 61 - Section 9  
 NSF 372 (Low Lead Content)  
 ANSI A117.1 (ADA)



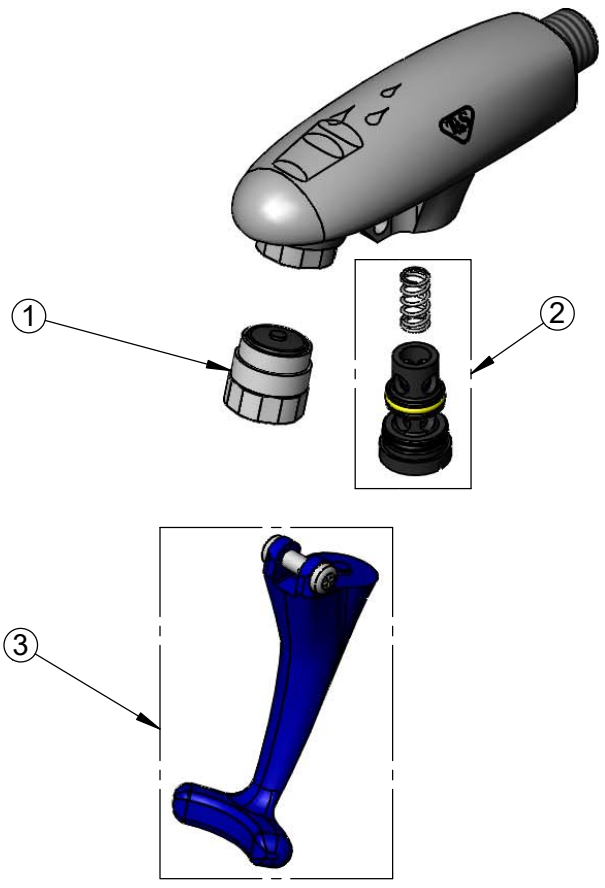
**T&S BRASS AND BRONZE WORKS, INC.**  
 2 Saddleback Cove / P.O. Box 1088  
 Travelers Rest, SC 29690

Model No.  
**B-1205**

Item No.

Travelers Rest, SC: 800-476-4103 • Simi Valley, CA: 800-423-0150 • Fax: 864-834-3518 • www.tsbrass.com

| ITEM NO. | SALES NO. | DESCRIPTION                      |
|----------|-----------|----------------------------------|
| 1        | 015588-40 | Adjustable Outlet w/ Torx Wrench |
| 2        | 015589-40 | Valve                            |
| 3        | 015550-45 | Lever Arm Repair Kit             |



016640-45  
 T-45 Torx  
 Wrench

Product Specifications:  
 Wall Mount Glass Filler, Push Back Design, Dark Blue Self-Closing Arm  
 & 3/8" NPT Male Inlet, Less Flange

Product Compliance:  
 ASME A112.18.1 / CSA B125.1  
 NSF 61 - Section 9  
 NSF 372 (Low Lead Content)  
 ANSI A117.1 (ADA)