



T&S BRASS AND BRONZE WORKS, INC.
 2 Saddleback Cove / P.O. Box 1088
 Travelers Rest, SC 29690

Model No.
B-1434-RG
 Item No.

Travelers Rest, SC: 800-476-4103 • Simi Valley, CA: 800-423-0150 • Fax: 864-834-3518 • www.tsbrass.com

This Space for Architect/Engineer Approval

Job Name _____ Date _____
 Model Specified _____ Quantity _____
 Customer/Wholesaler _____
 Contractor _____
 Architect/Engineer _____

B-0963
 Continuous Pressure
 Vacuum Breaker w/
 Integral Check Valve

3/8" NPT x 36"
 Flexible Water
 Connector

3/8" NPT x 32" Riser

Stainless Steel
 Quick Disconnect

Control Valve

(2) B-0109-07
 Wall Brackets

EasyInstall
 3/8" NPT x 16" Riser

3 11/16"
 [94mm]

Adjustable From
 7 3/4" to 8 1/4"
 [197mm to 210mm]

8" Wall Mount
 Mixing Faucet w/
 Quarter-Turn Eterna
 Cartridges w/ Spring
 Checks & Lever Handles
 w/ Color Coded Indexes

12 5/8"
 [321mm]

Ø 2" [51mm]
 Flanges w/
 1/2" NPT
 Female Inlets

Open Stainless Steel
 Hose Reel
 w/ 50' of 3/8" Hose

019652-40
 3/8" NPT
 Live Swivel

EB-0107
 High Flow
 Spray Valve
 (Blue)

Ø 1/2"
 [13mm]
 Typ

6 3/16"
 [158mm]

3 1/8"
 [79mm]

7 9/16"
 [193mm]

13/16"
 [21mm]

6"
 [152mm]

1/2"
 [13mm]
 Typ

55 1/4"
 [1403mm]

17 13/16"
 [452mm]

2 3/8"
 [61mm]

Product Specifications:

Open Stainless Steel Hose Reel w/ 50' of 3/8" Hose, High Flow Spray Valve (Blue) w/ Swivel, Vacuum Breaker, 3/8" NPT Flexible Water Connector, 8" Wall Mount Mixing Faucet & Control Valve

Product Compliance:

NSF 61 Exempt (Non-Potable)
 2019 DOE PRSV Non-Compliant
 ASSE 1056 (VB)



T&S BRASS AND BRONZE WORKS, INC.

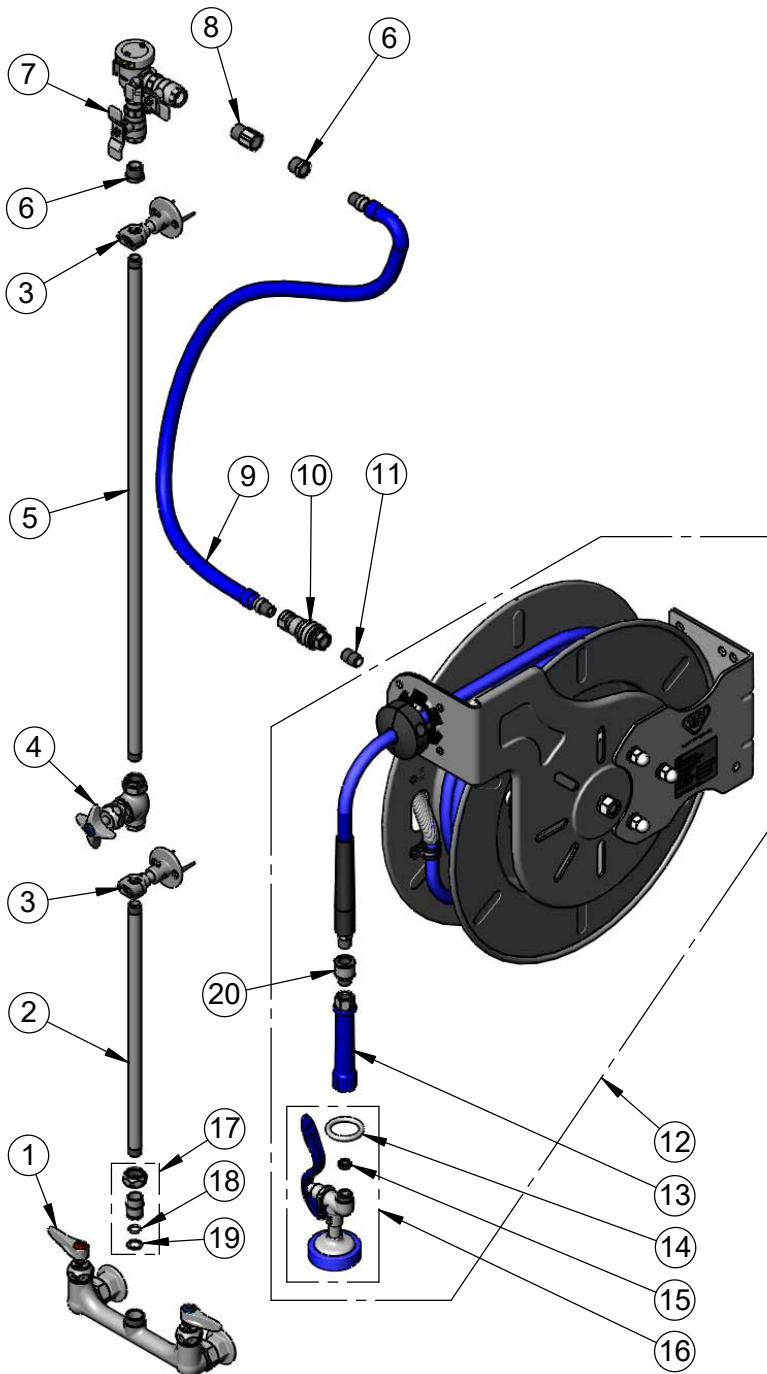
2 Saddleback Cove / P.O. Box 1088
Travelers Rest, SC 29690

Model No.

B-1434-RG

Item No.

Travelers Rest, SC: 800-476-4103 • Simi Valley, CA: 800-423-0150 • Fax: 864-834-3518 • www.tsbrass.com



ITEM NO.	SALES NO.	DESCRIPTION
1	B-0330-LN	8" Wall Mount Mixing Faucet
2	000368-40	3/8" NPT x 16" Riser
3	B-0109-07	Wall Bracket
4	0RK3	Control Valve
5	000376-40	3/8" NPT x 32" Riser
6	001359-40	Hex Bushing, 1/2" NPT Male x 3/8" NPT Female
7	B-0963	Vacuum Breaker 1/2" NPT Female
8	015073-40	Check Valve w/ 1/2" NPT Adapter
9	HW-2B-36	3/8" NPT x 36" Flexible Water Hose
10	AW-5B	3/8" NPT Quick Disconnect
11	002535-25	3/8" Close Nipple
12	B-7142-01	Open Stainless Steel Hose Reel w/ 50' of 3/8" Hose
13	012504-40	3/8" NPT Grip Handle (Blue)
14	000907-45	Spray Valve Hold Down Ring
15	010476-45	#27 Washer
16	EB-0107	High Flow Spray Valve (Blue)
17	EZ-K	EasyInstall Kit
18	001065-45	O-Ring
19	014200-45	Star Washer, Anti-Rotation
20	019652-40	3/8" NPT Live Swivel

Product Specifications:

Open Stainless Steel Hose Reel w/ 50' of 3/8" Hose, High Flow Spray Valve (Blue) w/ Swivel, Vacuum Breaker, 3/8" NPT Flexible Water Connector, 8" Wall Mount Mixing Faucet & Control Valve

Product Compliance:

NSF 61 Exempt (Non-Potable)
2019 DOE PRSV Non-Compliant
ASSE 1056 (VB)