



**T&S BRASS AND BRONZE WORKS, INC.**  
 2 Saddleback Cove / P.O. Box 1088  
 Travelers Rest, SC 29690

Model No.  
**B-1957**

Item No.

Travelers Rest, SC: 800-476-4103 • Simi Valley, CA: 800-423-0150 • Fax: 864-834-3518 • www.tsbrass.com

This Space for Architect/Engineer Approval

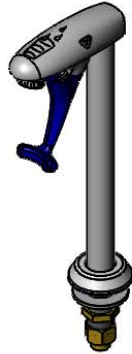
Job Name \_\_\_\_\_ Date \_\_\_\_\_

Model Specified \_\_\_\_\_ Quantity \_\_\_\_\_

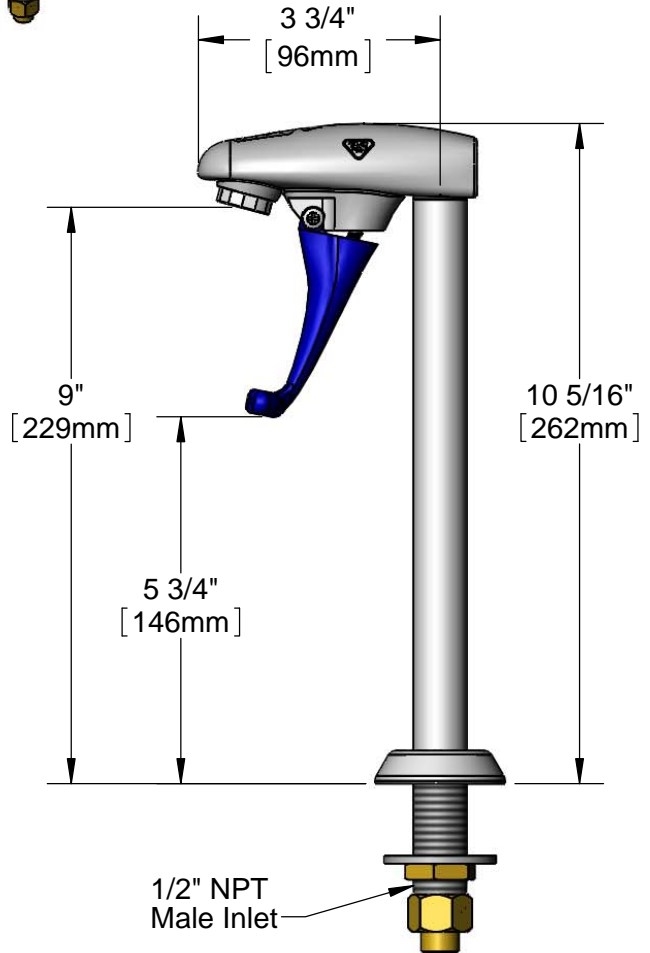
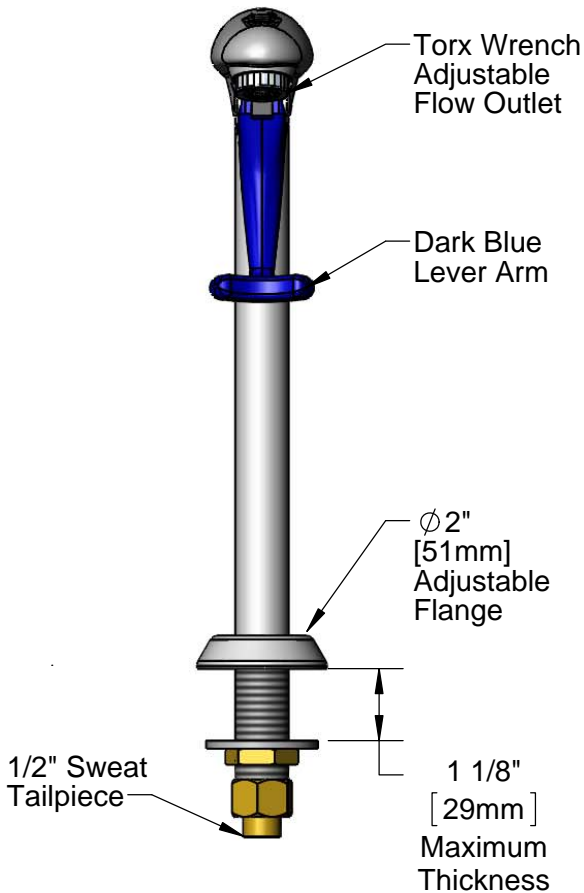
Customer/Wholesaler \_\_\_\_\_

Contractor \_\_\_\_\_

Architect/Engineer \_\_\_\_\_



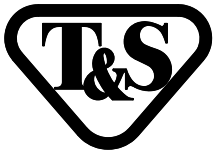
**ADA Compliant**



**Rough-in Requirement:**  
 Ø1" [25mm] Mounting Hole

**Product Specifications:**  
 9" Pedestal Type Glass Filler, Push Back Design, 1/2" NPT Male Inlet w/ 1/2" Sweat Tailpiece, Adjustable Flange, Dark Blue Self-Closing Arm

**Product Compliance:**  
 ASME A112.18.1 / CSA B125.1  
 NSF 61 - Section 9  
 NSF 372 (Low Lead Content)  
 ANSI A117.1 (ADA)



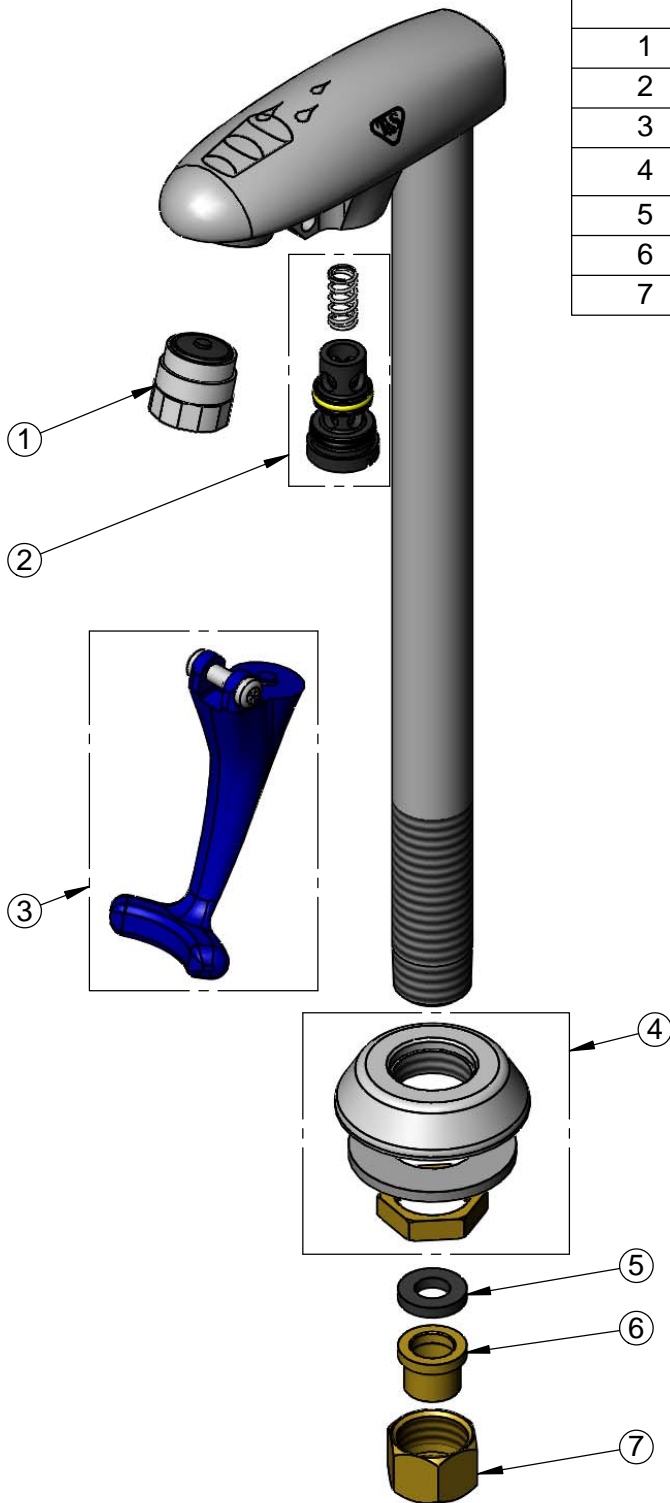
**T&S BRASS AND BRONZE WORKS, INC.**  
 2 Saddleback Cove / P.O. Box 1088  
 Travelers Rest, SC 29690

Model No.  
**B-1957**

Item No.

Travelers Rest, SC: 800-476-4103 • Simi Valley, CA: 800-423-0150 • Fax: 864-834-3518 • www.tsbrass.com

ITEM NO.	SALES NO.	DESCRIPTION
1	015588-40	Adjustable Outlet w/ Torx Wrench
2	015589-40	Valve Assembly
3	015550-45	Lever Arm Repair Kit
4	016783-40	Adjustable Deck Flange Repair Kit
5	001050-45	Tailpiece Coupling Washer
6	000854-20	1/2" Sweat Tailpiece
7	000961-45	Tailpiece Coupling Nut



016640-45  
 T-45 Torx  
 Wrench

**Product Specifications:**

9" Pedestal Type Glass Filler, Push Back Design, 1/2" NPT Male Inlet w/ 1/2" Sweat Tailpiece, Adjustable Flange, Dark Blue Self-Closing Arm

**Product Compliance:**

ASME A112.18.1 / CSA B125.1  
 NSF 61 - Section 9  
 NSF 372 (Low Lead Content)  
 ANSI A117.1 (ADA)