

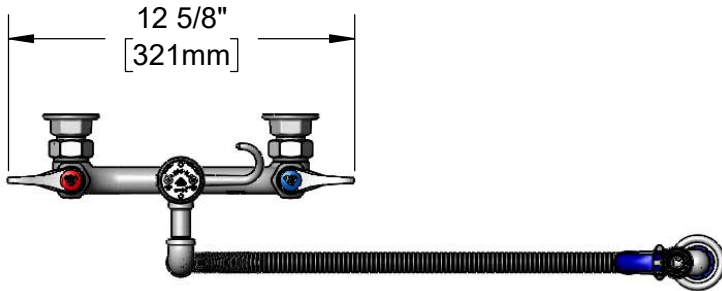


T&S BRASS AND BRONZE WORKS, INC.
 2 Saddleback Cove / P.O. Box 1088
 Travelers Rest, SC 29690

Model No.
B-2312

Item No.

Travelers Rest, SC: 800-476-4103 • Simi Valley, CA: 800-423-0150 • Fax: 864-834-3518 • www.tsbrass.com



This Space for Architect/Engineer Approval

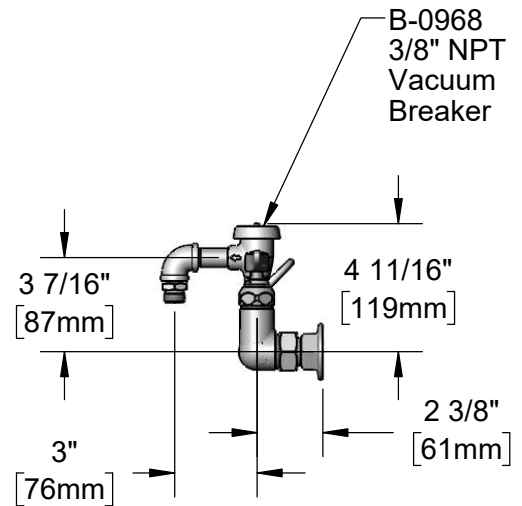
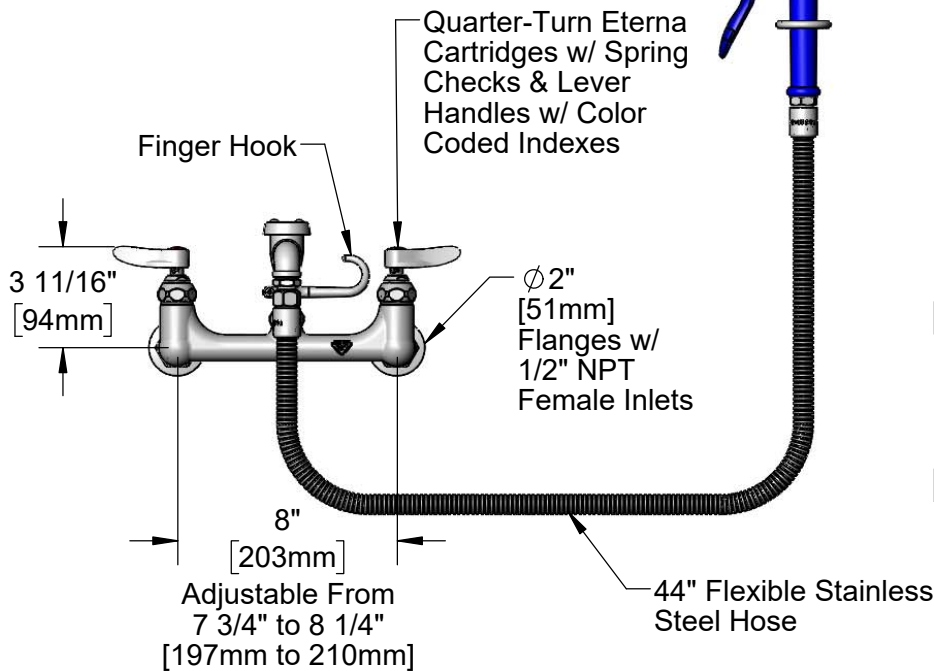
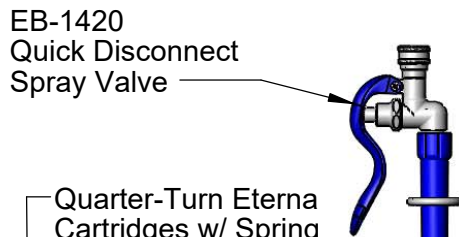
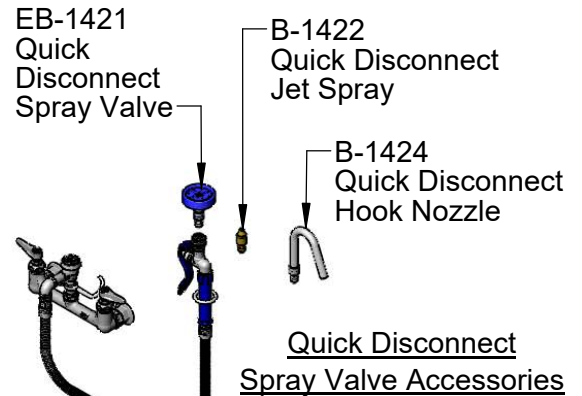
Job Name _____ Date _____

Model Specified _____ Quantity _____

Customer/Wholesaler _____

Contractor _____

Architect/Engineer _____



Product Specifications:

8" Wall Mount Mixing Faucet, Quarter-Turn Eterna Cartridges w/ Spring Checks, Lever Handles, 3/8" NPT Vacuum Breaker, 44" Flexible Stainless Steel Hose, Quick Disconnect Spray Valve w/ Blue Handle & Blue Quick Disconnect Spray Valve, Quick Disconnect Jet Spray, Quick Disconnect Hook Nozzle & 1/2" NPT Female Inlets

Product Compliance:

ASME A112.18.1 / CSA B125.1
 NSF 61 - Section 9
 NSF 372 (Low Lead Content)
 ASSE 1001 (VB)
 2019 DOE PRSV Non-Compliant

T&S BRASS AND BRONZE WORKS, INC.

2 Saddleback Cove / P.O. Box 1088
Travelers Rest, SC 29690

Model No.

B-2312

Item No.

Travelers Rest, SC: 800-476-4103 • Simi Valley, CA: 800-423-0150 • Fax: 864-834-3518 • www.tsbrass.com

	ITEM NO.	SALES NO.	DESCRIPTION
	1	002712-40NS	Quarter-Turn Eterna Cartridge w/ Spring Check, Handle, Red Index & Screw, RTC
	2	012443-40NS	Quarter-Turn Eterna Cartridge w/ Spring Check, RTC
	3	001638-45NS	Lever Handle (New Style)
	4	000925-45	Lab Handle Screw
	5	001193-19NS	Red Button Index, Press-in
	6	053A	Adapter, 3/8" NPT x 3/4-14UN
	7	001355-40	Elbow, 3/8 NPT
	8	000357-40	Nipple, 3/8" NPT x 2"
	9	B-0968	3/8" NPT Vacuum Breaker
	10	004R	Finger Hook
	11	EZ-K	EasyInstall Kit
	12	001065-45	O-Ring
	13	014200-45	Star Washer, Anti-Rotation
	14	018506-19NS	Blue Button Index, Press-in
	15	002711-40NS	Quarter-Turn Eterna Cartridge w/ Spring Check, Handle, Blue Index & Screw, LTC
	16	012442-40NS	Quarter-Turn Eterna Cartridge w/ Spring Check, LTC
	17	EB-1420	Quick Disconnect Spray Valve
	18	000907-45	Spray Valve Hold Down Ring
	19	010476-45	#27 Washer
	20	011482-40	Blue Grip Handle
	21	00AA	1/2" NPT Female Eccentric Flange
	22	001014-45	Washer, B-0100 Hose Barrel
	23	001019-45	Coupling Nut Washer
	24	B-0044-H2A	44" Flexible Stainless Steel Hose, Less Handle
	25	B-1422	Straight Nozzle Jet
	26	EB-1421	Quick Disconnect High Flow Spray
	27	B-1424	Quick Disconnect Hook Nozzle

Product Specifications:
8" Wall Mount Mixing Faucet, Quarter-Turn Eterna Cartridges w/ Spring Checks, Lever Handles, 3/8" NPT Vacuum Breaker, 44" Flexible Stainless Steel Hose, Quick Disconnect Spray Valve w/ Blue Handle & Blue Quick Disconnect Spray Valve, Quick Disconnect Jet Spray, Quick Disconnect Hook Nozzle & 1/2" NPT Female Inlets

Product Compliance:
ASME A112.18.1 / CSA B125.1
NSF 61 - Section 9
NSF 372 (Low Lead Content)
ASSE 1001 (VB)
2019 DOE PRSV Non-Compliant