



**T&S BRASS AND BRONZE WORKS, INC.**  
 2 Saddleback Cove / P.O. Box 1088  
 Travelers Rest, SC 29690

Model No.  
**B-2490**

Item No.

Travelers Rest, SC: 800-476-4103 • Simi Valley, CA: 800-423-0150 • Fax: 864-834-3518 • www.tsbrass.com



**ADA Compliant**

This Space for Architect/Engineer Approval

Job Name \_\_\_\_\_ Date \_\_\_\_\_

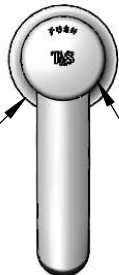
Model Specified \_\_\_\_\_ Quantity \_\_\_\_\_

Customer/Wholesaler \_\_\_\_\_

Contractor \_\_\_\_\_

Architect/Engineer \_\_\_\_\_

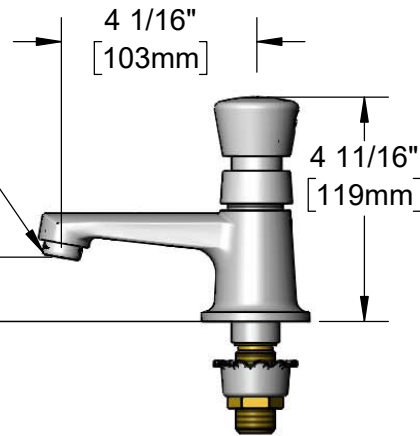
Ø 2 1/4"  
 [57mm]  
 Base



Push Button Metering Cartridge  
 w/ Blank Push Button Cap

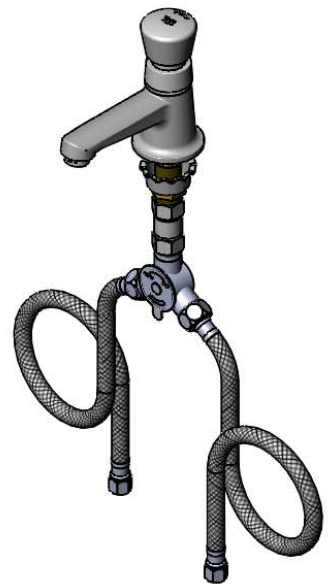


B-0199-03  
 2.2 GPM Aerator  
 1 5/16"  
 [34mm]  
 Mounting Surface

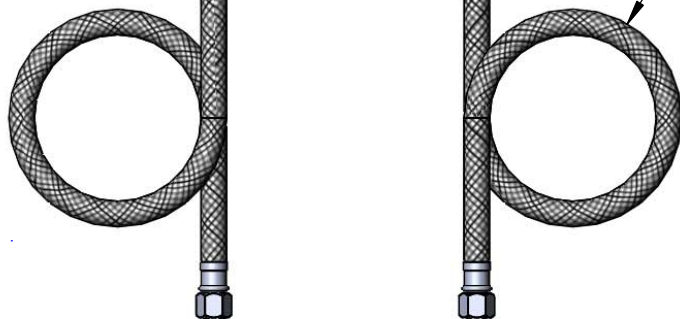


4 1/16"  
 [103mm]

4 11/16"  
 [119mm]



Temperature Mixing Valve  
 w/ Integral Check Valves



3/8" Compression Female Inlets  
 w/ 18" Flexible Stainless Steel  
 Supply Hoses

Spanner Bit for  
 Access to Metering  
 Adjustment Included.  
 (Metering Adjustment  
 Requires 3/32" Hex Key)



Rough-In Requirement:  
 Ø 1 1/8" [29mm] Mounting Hole

**Product Specifications:**

Single Hole Single Temperature Deck Mount Basin Faucet, Push Button  
 Metering Cartridge, 2.2 GPM Aerator, Temperature Control Mixing Valve  
 w/ Integral Check Valves & 18" Flexible Stainless Steel Supply Hoses  
 w/ 3/8" Compression Female Inlets

**Product Compliance:**

ASME A112.18.1 / CSA B125.1  
 NSF 61 - Section 9  
 NSF 372 (Low Lead Content)  
 ANSI A117.1 (ADA)

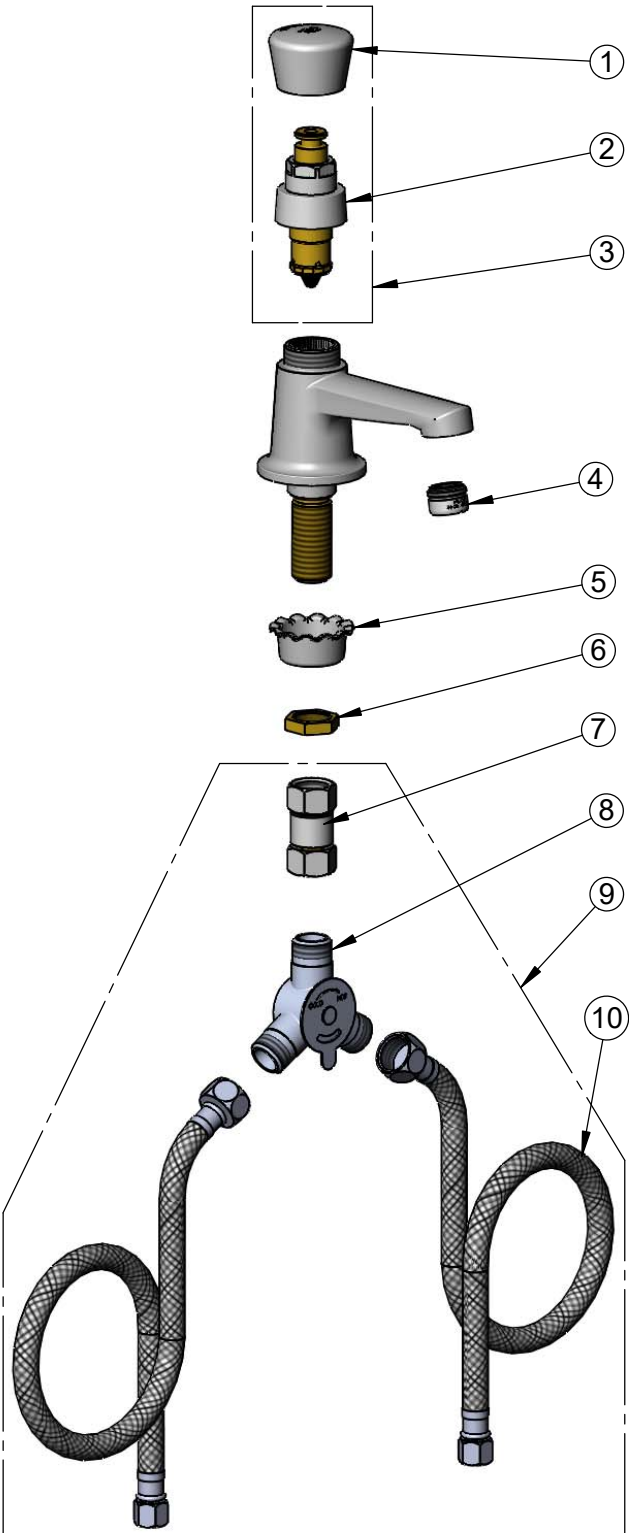


**T&S BRASS AND BRONZE WORKS, INC.**  
 2 Saddleback Cove / P.O. Box 1088  
 Travelers Rest, SC 29690

Model No.  
**B-2490**

Item No.

Travelers Rest, SC: 800-476-4103 • Simi Valley, CA: 800-423-0150 • Fax: 864-834-3518 • www.tsbrass.com



ITEM NO.	SALES NO.	DESCRIPTION
1	014193-40	Blank Push Button Cap
2	238A	Push Button Metering Cartridge
3	238AB	Push Button Metering Cartridge w/ Push Button Cap
4	B-0199-03	2.2 GPM Aerator
5	001000-45	Rosette Washer
6	002954-45	Shank Lock Nut
7	017506-45	1/2" NPSM Swivel Coupling
8	5EF-0006	Mechanical Mixing Valve
9	019806-40	Temperature Control Mixing Valve w/ Flexible 3/8" Compression Female Inlets
10	5EF-0005	Supply Hose, 9/16-24 Female x 1/2" NPSM



014734-45  
 #8 Spanner Bit

**Product Specifications:**  
 Single Hole Single Temperature Deck Mount Basin Faucet, Push Button Metering Cartridge, 2.2 GPM Aerator, Temperature Control Mixing Valve w/ Integral Check Valves & 18" Flexible Stainless Steel Supply Hoses w/ 3/8" Compression Female Inlets

**Product Compliance:**  
 ASME A112.18.1 / CSA B125.1  
 NSF 61 - Section 9  
 NSF 372 (Low Lead Content)  
 ANSI A117.1 (ADA)