



T&S BRASS AND BRONZE WORKS, INC.
 2 Saddleback Cove / P.O. Box 1088
 Travelers Rest, SC 29690

Model No.
B-3950-01

Item No.

Travelers Rest, SC: 800-476-4103 • Simi Valley, CA: 800-423-0150 • Fax: 864-834-3518 • www.tsbrass.com

This Space for Architect/Engineer Approval

Job Name _____ Date _____

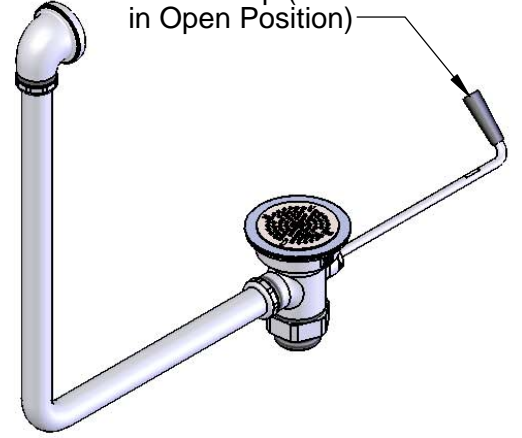
Model Specified _____ Quantity _____

Customer/Wholesaler _____

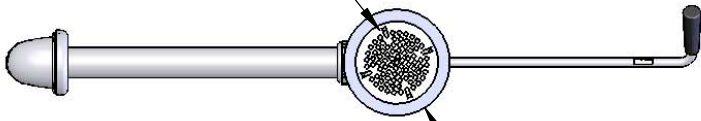
Contractor _____

Architect/Engineer _____

Twist Handle w/
 Heat Resistant
 Plastic Grip (Shown
 in Open Position)

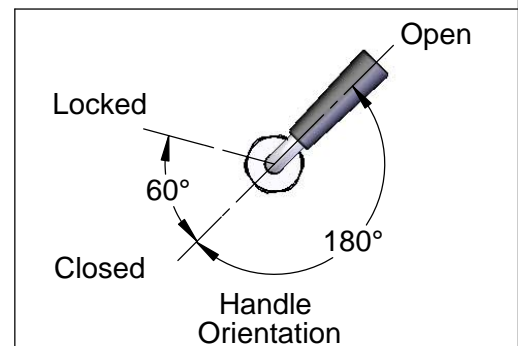
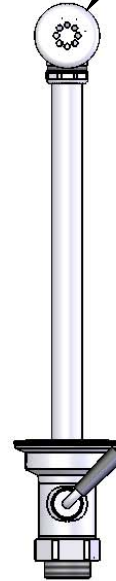
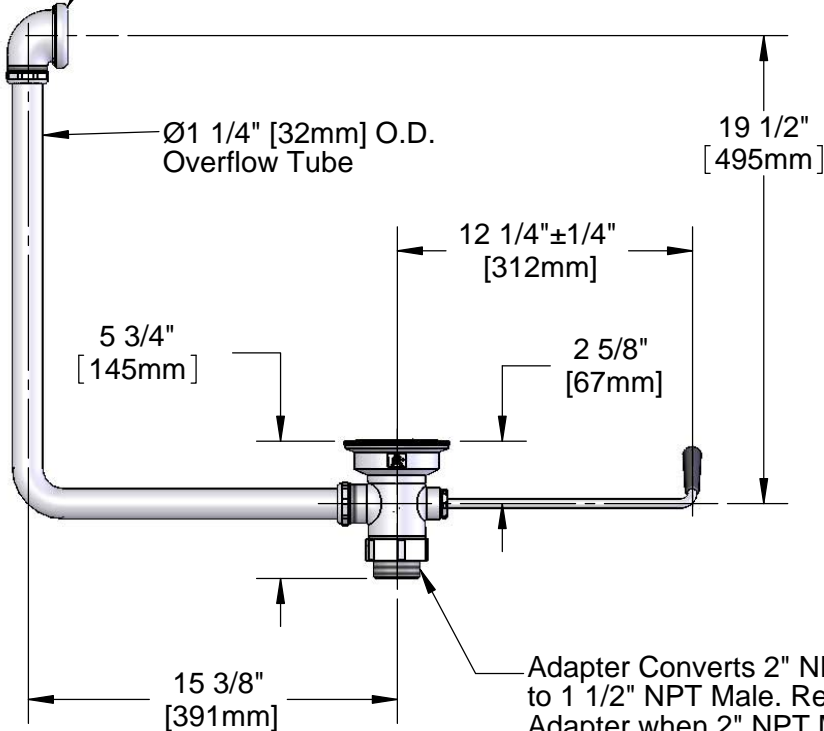


Removable
 Snap-in Strainer



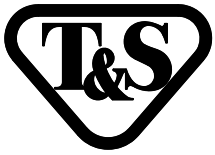
Ø2 11/16" [68mm]
 Ø4 7/16" [113mm]

Ø2" [51mm]
 Opening Required



Product Specifications:
 Rotary Waste Drain Valve w/ Twist Handle, 3 1/2" Sink Opening, 2" NPT Male Outlet, 1 1/2" NPT Male Adapter & Overflow Tube & Head

Product Compliance:
 ASME A112.18.2 / CSA B125.2



T&S BRASS AND BRONZE WORKS, INC.

2 Saddleback Cove / P.O. Box 1088
Travelers Rest, SC 29690

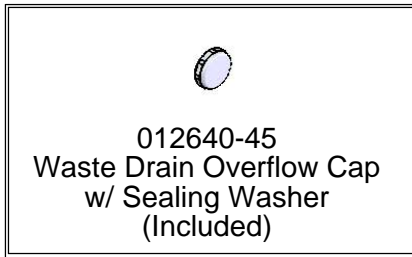
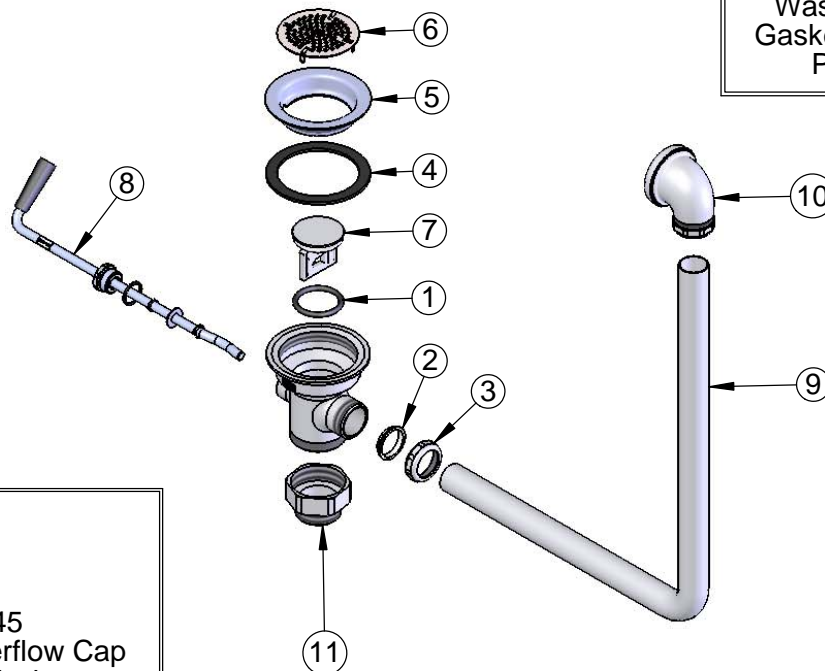
Model No.

B-3950-01

Item No.

Travelers Rest, SC: 800-476-4103 • Simi Valley, CA: 800-423-0150 • Fax: 864-834-3518 • www.tsbrass.com

ITEM NO.	SALES NO.	DESCRIPTION
1	010389-45	O-Ring, Plunger
2	010390-45	Ferrule, Coupling Nut
3	010391-45	Nut, Coupling for Twist Drain
4	010382-45	Gasket, 3 1/2" Face Flange
5	010384-45	Flange, 3 1/2" Face
6	010386-45	Strainer, 3 1/2" Snap-in Removable
7	010388-45	Plunger, Lever and Twist Drain
8	010393-45	Handle, Rotary Waste Valve Twist
9	011355-45	Tube, Overflow Elbow
10	011356-45	Head, Overflow Tube
11	B-3945	Adapter, 2" NPT x 1 1/2" NPT



Product Specifications:

Rotary Waste Drain Valve w/ Twist Handle, 3 1/2" Sink Opening, 2" NPT Male Outlet, 1 1/2" NPT Male Adapter & Overflow Tube & Head

Product Compliance:

ASME A112.18.2 / CSA B125.2