



T&S BRASS AND BRONZE WORKS, INC.

2 Saddleback Cove / P.O. Box 1088
Travelers Rest, SC 29690

Model No.

B-3962-01

Item No.

Travelers Rest, SC: 800-476-4103 • Simi Valley, CA: 800-423-0150 • Fax: 864-834-3518 • www.tsbrass.com

This Space for Architect/Engineer Approval

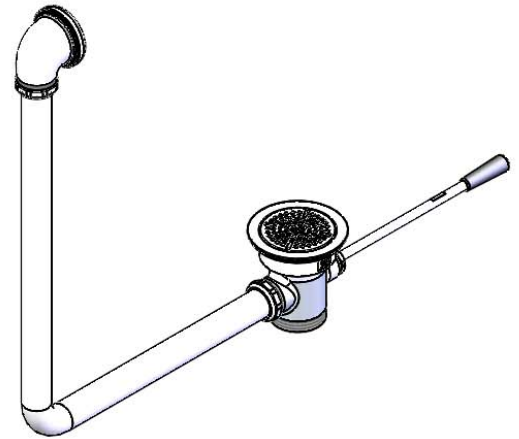
Job Name _____ Date _____

Model Specified _____ Quantity _____

Customer/Wholesaler _____

Contractor _____

Architect/Engineer _____



Removable
Snap-In Strainer

Ø4 3/16"
[106mm]



Ø2 11/16
[68mm]

Ø1 1/4" [32mm] O.D.
Overflow Tube

19 1/2"
[492mm]

12 1/8"
[308mm]

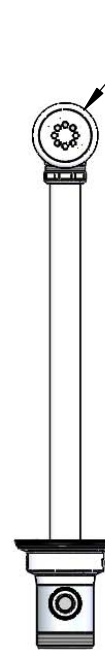
4 1/2"
[114mm]

2 5/8"
[67mm]

15 3/8"
[391mm]

2" NPT Male Thread,
1-1/2" NPT Female Thread

Ø2" [51mm]
Opening Required



Product Specifications:

Waste Drain Valve w/ Lever Handle, 3" Sink Opening, 2" NPT Male / 1-1/2" NPT Female Outlet & Overflow Tube w/ Head Asm.

Product Compliance:

ASME A112.18.2 / CSA B125.2



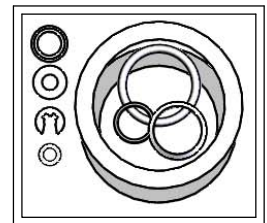
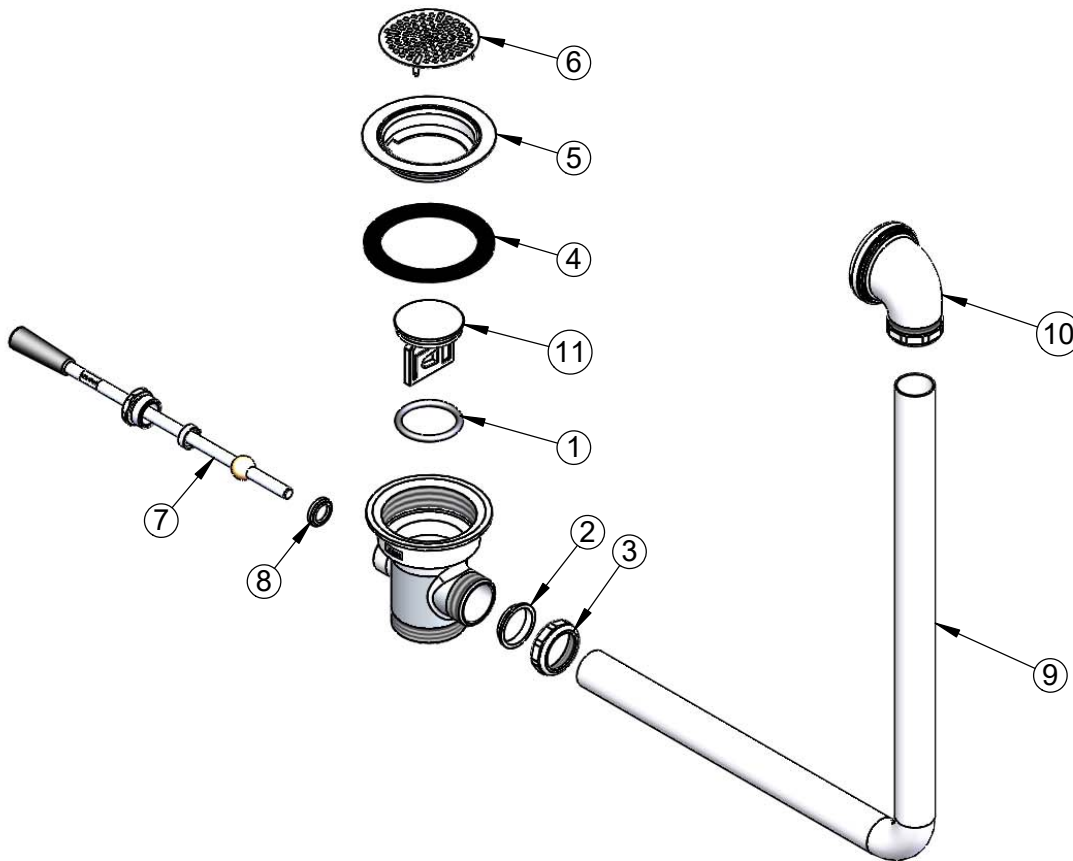
T&S BRASS AND BRONZE WORKS, INC.
 2 Saddleback Cove / P.O. Box 1088
 Travelers Rest, SC 29690

Model No.
B-3962-01

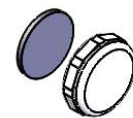
Item No.

Travelers Rest, SC: 800-476-4103 • Simi Valley, CA: 800-423-0150 • Fax: 864-834-3518 • www.tsbrass.com

ITEM NO.	SALES NO.	DESCRIPTION
1	010389-45	O-Ring, Plunger
2	010390-45	Ferrule, Coupling Nut
3	010391-45	Nut, Coupling for Twist Drain
4	010381-45	Gasket, 3" Face Flange
5	015306-45	Flange, 3" Face
6	010385-45	Strainer, 3" Snap-in
7	010394-45	Handle Asm, Waste Drain Valve Lever
8	010392-45	Bushing, Waste Drain Lever Handle
9	011355-45	Tube, Overflow Elbow
10	011356-45	Head Asm, Overflow Tube
11	010388-45	Plunger, Twist Drain



Washers, O-Rings & Gaskets are located in Parts Kit B-39K



Also Furnished w/ Sealing Cap When Overflow Tube Coupling Nut is not Used. PN #012640-45

Product Specifications:
 Waste Drain Valve w/ Lever Handle, 3" Sink Opening, 2" NPT Male / 1-1/2" NPT Female Outlet & Overflow Tube w/ Head Asm.

Product Compliance:
 ASME A112.18.2 / CSA B125.2