



T&S BRASS AND BRONZE WORKS, INC.
 2 Saddleback Cove / P.O. Box 1088
 Travelers Rest, SC 29690

Model No.
B-7122-C02

Item No.

Travelers Rest, SC: 800-476-4103 • Simi Valley, CA: 800-423-0150 • Fax: 864-834-3518 • www.tsbrass.com

This Space for Architect/Engineer Approval

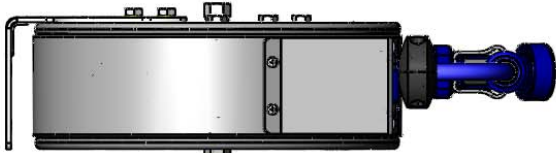
Job Name _____ Date _____

Model Specified _____ Quantity _____

Customer/Wholesaler _____

Contractor _____

Architect/Engineer _____



3/8" NPT Female Inlet
 (Left Side of Reel)



Enclosed Stainless Steel Hose Reel
 30' of 3/8" Hose

Ø 15 3/8"
 [390mm]

6 7/16"
 [164mm]

019652-40
 3/8" NPT
 Live Swivel

5 1/2"
 [139mm]

Ø 1/2"
 [13mm]

8 13/16"
 [223mm]

6 7/16"
 [164mm]

5 1/4"
 [133mm]

16 7/16"
 [418mm]

MV-2516-24
 Stainless Steel Rear Trigger
 Water Gun, 5/16" Orifice

3/4"
 [19mm]

1/2"
 [13mm]

2 3/8"
 [60mm]

Product Specifications:
 3/8" x 30' Enclosed Stainless Steel Reel &
 Stainless Steel Rear Trigger Water Gun w/ Swivel, 5/16" Orifice

Product Compliance:
 NSF 61 Exempt (Non-Potable)
 EPA 2005 Non-Compliant (PRSV)



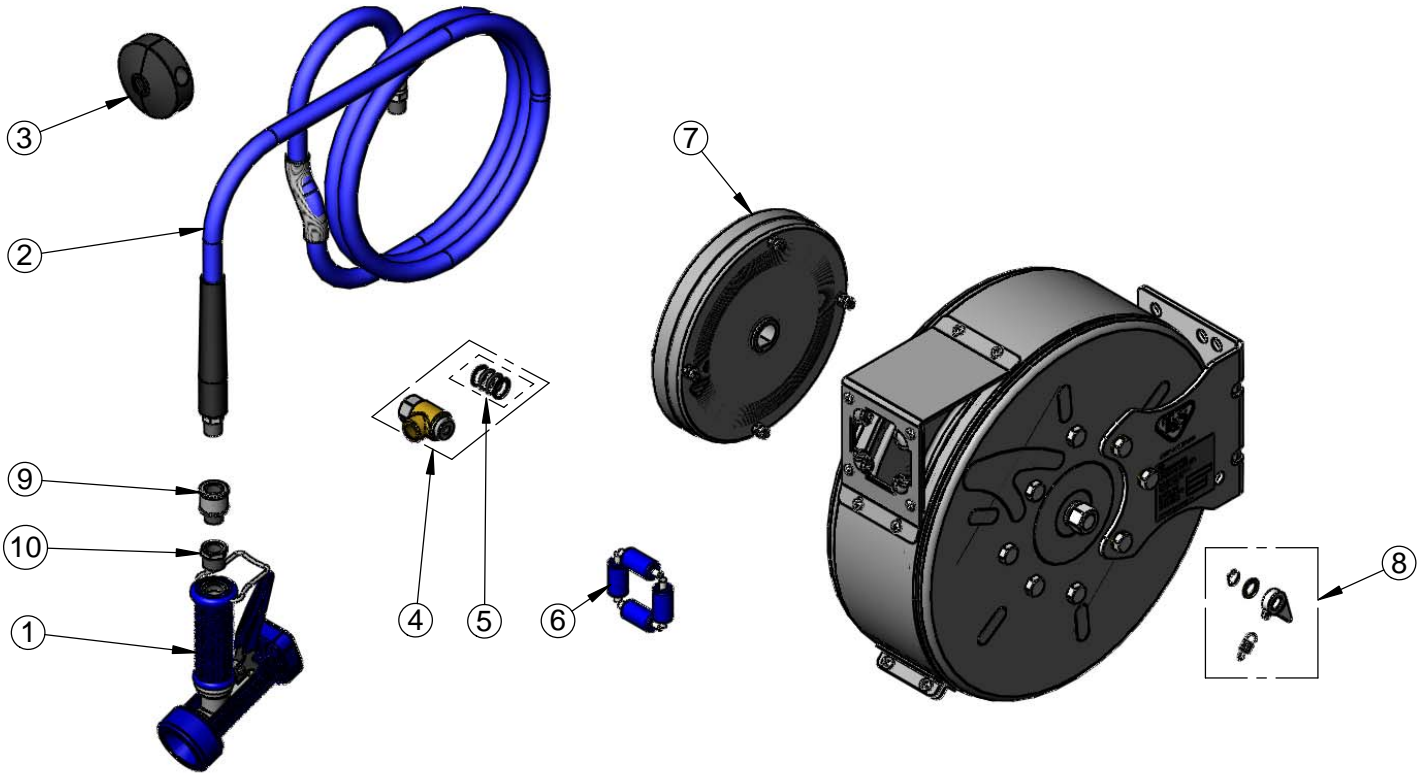
T&S BRASS AND BRONZE WORKS, INC.
 2 Saddleback Cove / P.O. Box 1088
 Travelers Rest, SC 29690

Model No.
B-7122-C02

Item No.

Travelers Rest, SC: 800-476-4103 • Simi Valley, CA: 800-423-0150 • Fax: 864-834-3518 • www.tsbrass.com

ITEM NO.	SALES NO.	DESCRIPTION
1	MV-2516-24	Rear Trigger Gun, 5/16" Orifice
2	014943-45	3/8" x 30' Hose Replacement Kit
3	014949-45	Hose Stop Repair Kit
4	014946-45	3/8" Swivel Repair Kit
5	014948-45	O-Ring Replacement Kit
6	014936-45	Roller Replacement Kit
7	014933-45	Small Stainless Steel Spring
8	014940-45	Ratchet Repair Kit
9	019652-40	3/8" NPT Live Swivel
10	001359-40	Hex Bushing, 1/2" NPT Male x 3/8" NPT Female



Product Specifications:
 3/8" x 30' Enclosed Stainless Steel Reel &
 Stainless Steel Rear Trigger Water Gun w/ Swivel, 5/16" Orifice

Product Compliance:
 NSF 61 Exempt (Non-Potable)
 EPA Act 2005 Non-Compliant (PRSV)