



**T&S BRASS AND BRONZE WORKS, INC.**  
 2 Saddleback Cove / P.O. Box 1088  
 Travelers Rest, SC 29690

Model No.  
**B-7122-C05**

Item No.

Travelers Rest, SC: 800-476-4103 • Simi Valley, CA: 800-423-0150 • Fax: 864-834-3518 • www.tsbrass.com

This Space for Architect/Engineer Approval

Job Name \_\_\_\_\_ Date \_\_\_\_\_

Model Specified \_\_\_\_\_ Quantity \_\_\_\_\_

Customer/Wholesaler \_\_\_\_\_

Contractor \_\_\_\_\_

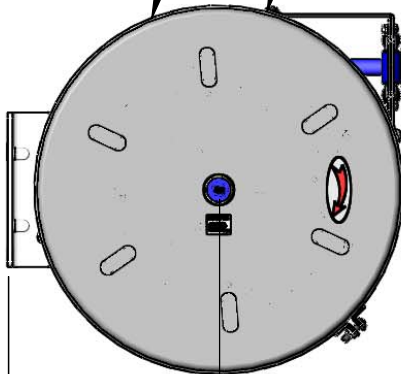
Architect/Engineer \_\_\_\_\_



3/8" NPT Female Inlet  
 (Left Side of Reel)

Enclosed Stainless Steel Hose Reel  
 w/ 30' of 3/8" Hose

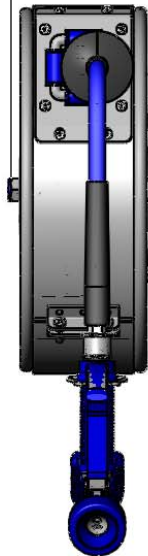
Ø 15 3/8"  
 [390mm]



8 13/16"  
 [223mm]

16 7/16"  
 [418mm]

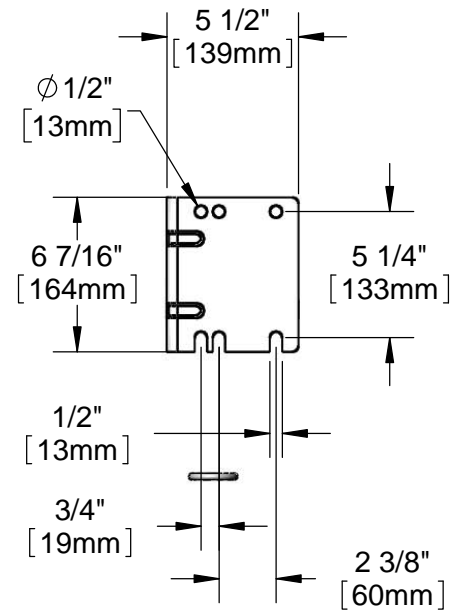
6 7/16"  
 [164mm]



019652-40  
 3/8" NPT  
 Live Swivel



MV-2522-24  
 Stainless Steel Front Trigger  
 Water Gun, 5/16" Orifice



Product Specifications:  
 3/8" x 30' Enclosed Stainless Steel Reel & Stainless Steel Front Trigger  
 Water Gun w/ Swivel, 5/16" Orifice

Product Compliance:  
 NSF 61 Exempt (Non-Potable)  
 EPA Act 2005 Non-Compliant (PRSV)



# T&S BRASS AND BRONZE WORKS, INC.

2 Saddleback Cove / P.O. Box 1088  
Travelers Rest, SC 29690

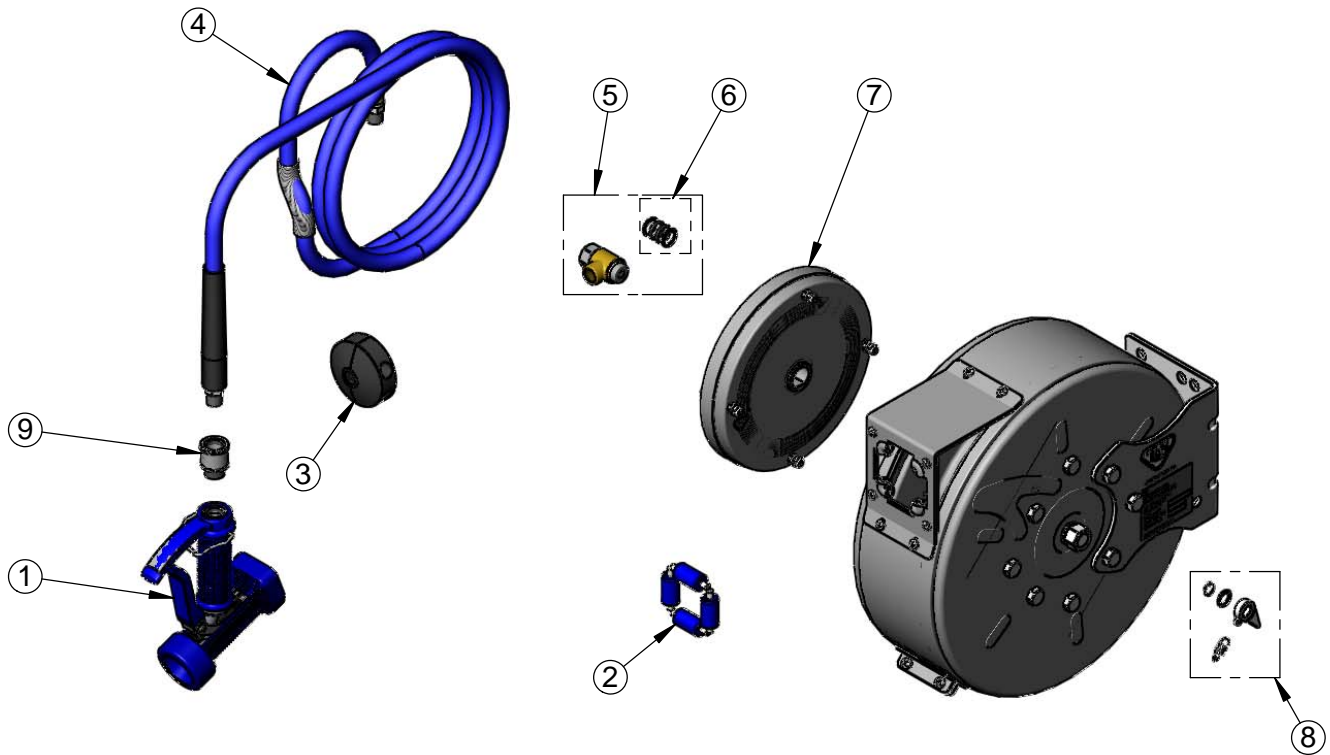
Model No.

**B-7122-C05**

Item No.

Travelers Rest, SC: 800-476-4103 • Simi Valley, CA: 800-423-0150 • Fax: 864-834-3518 • www.tsbrass.com

ITEM NO.	SALES NO.	DESCRIPTION
1	MV-2522-24	Front Trigger Gun, 5/16" Orifice
2	014936-45	Roller Repair Kit
3	014949-45	Hose Stop Repair Kit
4	014943-45	3/8" x 30' Hose
5	014946-45	3/8" Swivel Repair Kit
6	014948-45	O-Ring Replacement Kit
7	014933-45	Small Stainless Steel Spring
8	014940-45	Ratchet Repair Kit
9	019652-40	3/8" NPT Live Swivel
140	006562-45	O-Ring



**Product Specifications:**

3/8" x 30' Enclosed Stainless Steel Reel & Stainless Steel Front Trigger Water Gun w/ Swivel, 5/16" Orifice

**Product Compliance:**

NSF 61 Exempt (Non-Potable)  
EPA Act 2005 Non-Compliant (PRSV)