



T&S BRASS AND BRONZE WORKS, INC.

2 Saddleback Cove / P.O. Box 1088
Travelers Rest, SC 29690

Model No.

B-7132-02

Item No.

Travelers Rest, SC: 800-476-4103 • Simi Valley, CA: 800-423-0150 • Fax: 864-834-3518 • www.tsbrass.com

This Space for Architect/Engineer Approval

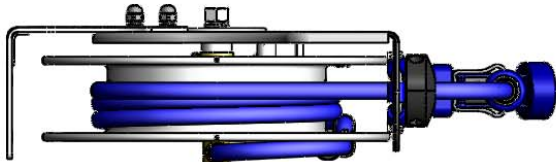
Job Name _____ Date _____

Model Specified _____ Quantity _____

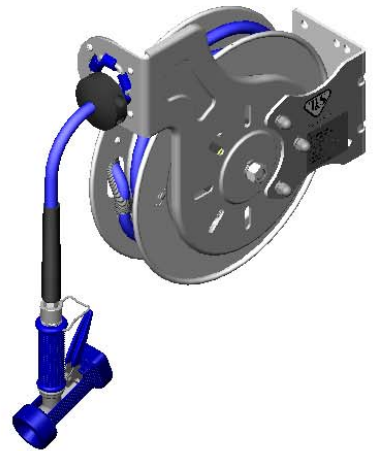
Customer/Wholesaler _____

Contractor _____

Architect/Engineer _____



3/8" NPT Female Inlet
(Left Side of Reel)



Open Stainless Steel Hose Reel
35' of 3/8" Hose

Ø14 1/2"
[368mm]

18"
[458mm]

7 3/16"
[182mm]

8 3/4"
[222mm]

16 9/16"
[421mm]

019652-40
3/8" NPT
Live Swivel

MV-2516-24
Stainless Steel Rear Trigger
Water Gun, 5/16" Orifice

Mounting Hole Details

5 1/2"
[139mm]

Ø1/2"
[13mm]

6 7/16"
[164mm]

5 1/4"
[133mm]

3/4"
[19mm]

1/2"
[13mm]

2 3/8"
[60mm]

Product Specifications:

3/8" x 35' Open Stainless Steel Reel & Stainless Steel Rear Trigger Water Gun w/ Swivel, 5/16" Orifice

Product Compliance:

NSF 61 Exempt (Non-Potable)
EPA Act 2005 Non-Compliant (PRSV)



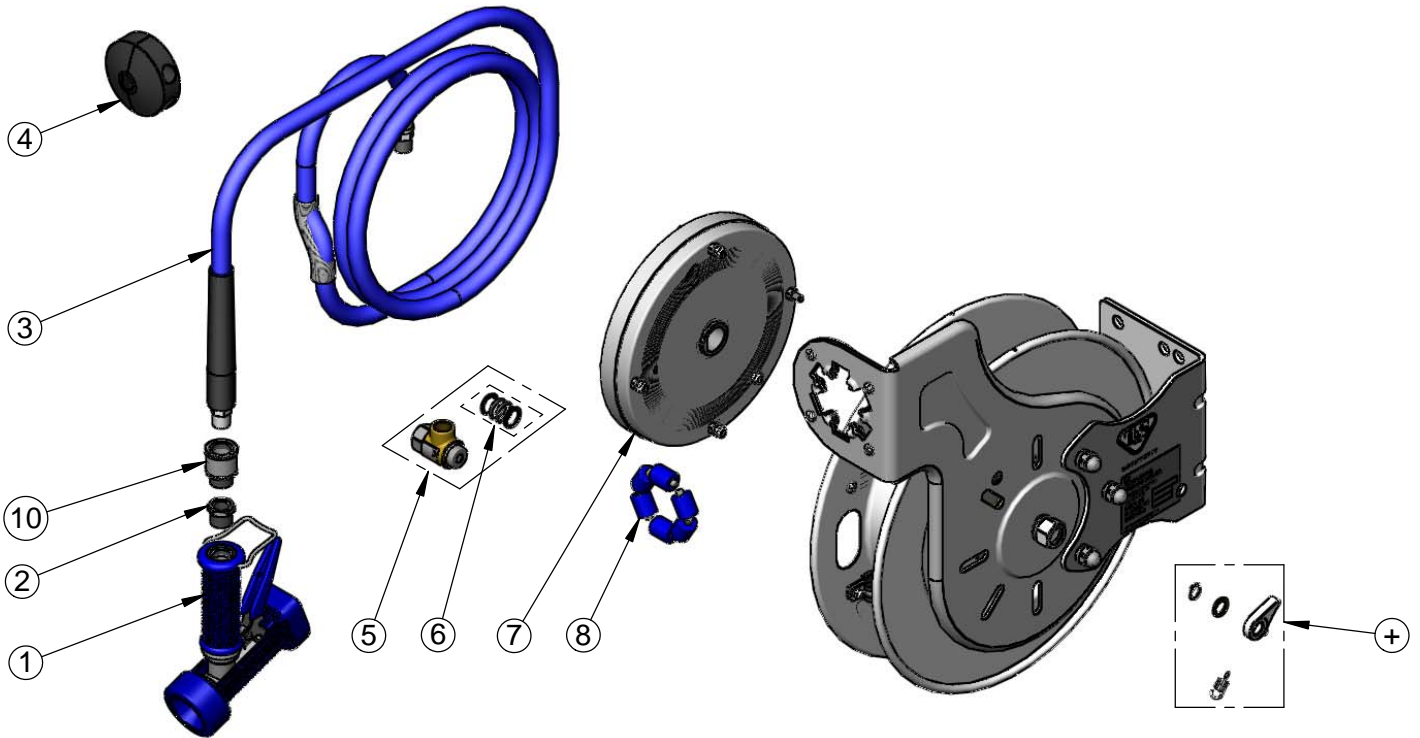
T&S BRASS AND BRONZE WORKS, INC.
 2 Saddleback Cove / P.O. Box 1088
 Travelers Rest, SC 29690

Model No.
B-7132-02

Item No.

Travelers Rest, SC: 800-476-4103 • Simi Valley, CA: 800-423-0150 • Fax: 864-834-3518 • www.tsbrass.com

ITEM NO.	SALES NO.	DESCRIPTION
1	MV-2516-24	Rear Trigger Gun, 5/16" Orifice
2	001359-40	Hex Bushing, 1/2" NPT Male x 3/8" NPT Female
3	014941-45	3/8" x 35' Hose Replacement Kit
4	014949-45	Hose Stop Repair Kit
5	014946-45	3/8" Swivel Repair Kit
6	014948-45	O-Ring Replacement Kit
7	014933-45	Small Stainless Steel Spring
8	014938-45	Roller Replacement Kit
9	014940-45	Ratchet Repair Kit
10	019652-40	3/8" NPT Live Swivel



Product Specifications:
 3/8" x 35' Open Stainless Steel Reel & Stainless Steel Rear Trigger Water Gun w/ Swivel, 5/16" Orifice

Product Compliance:
 NSF 61 Exempt (Non-Potable)
 EPA Act 2005 Non-Compliant (PRSV)