



T&S BRASS AND BRONZE WORKS, INC.
 2 Saddleback Cove / P.O. Box 1088
 Travelers Rest, SC 29690

Model No.
B-7242-C05

Item No.

Travelers Rest, SC: 800-476-4103 • Simi Valley, CA: 800-423-0150 • Fax: 864-834-3518 • www.tsbrass.com

This Space for Architect/Engineer Approval

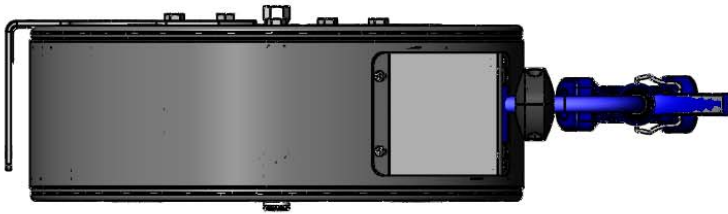
Job Name _____ Date _____

Model Specified _____ Quantity _____

Customer/Wholesaler _____

Contractor _____

Architect/Engineer _____

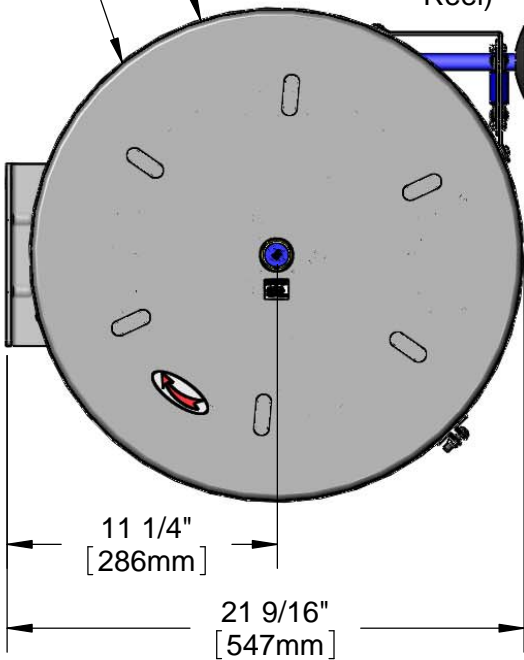


Enclosed Coated Hose Reel;
 50 Ft. of 3/8" Hose

Ø20 9/16"
 [522mm]

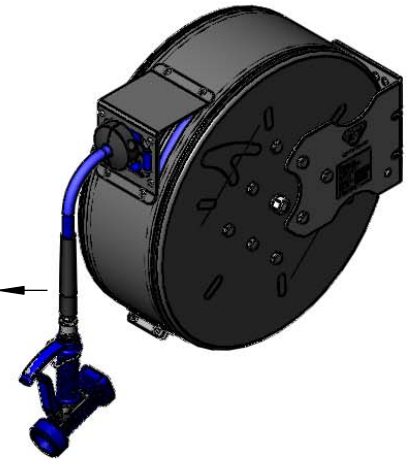
3/8" NPT Female
 Inlet (Left Side of
 Reel)

8 7/16"
 [214mm]

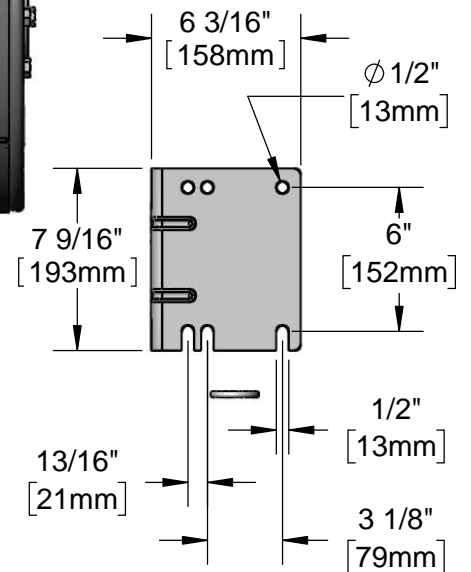


MV-2522-24 Front Trigger Style
 Gun w/ Stainless Steel Body
 and Royal Blue Rubber Cover.

019652-40
 3/8" NPT
 Live Swivel



Mounting Hole Details



Product Specifications:

3/8" x 50 Ft. Enclosed Coated Reel, w/ Front Trigger 5/16" Orifice Spray Valve & Swivel

Product Compliance:

NSF 61 Exempt (Non-Potable)
 EPA 2005 Non-Compliant (PRSV)



T&S BRASS AND BRONZE WORKS, INC.
 2 Saddleback Cove / P.O. Box 1088
 Travelers Rest, SC 29690

Model No.
B-7242-C05

Item No.

Travelers Rest, SC: 800-476-4103 • Simi Valley, CA: 800-423-0150 • Fax: 864-834-3518 • www.tsbrass.com

| ITEM NO. | SALES NO. | DESCRIPTION |
|----------|------------|--|
| 1 | MV-2522-24 | Front Trigger Gun, 5/16" Orifice |
| 2 | 001359-40 | Hex Bushing, 1/2" NPT Male x 3/8" NPT Female |
| 3 | 014942-45 | 3/8" x 50' Hose Replacement Kit |
| 4 | 014949-45 | Hose Stop Repair Kit |
| 5 | 019561-45 | 3/8" x 50' Swivel Repair Kit |
| 6 | 019473-45 | 3/8" x 50' O-Ring Replacement Kit |
| 7 | 014934-45 | Large Coated Spring Assembly |
| 8 | 014936-45 | Roller Replacement Kit |
| 9 | 014940-45 | Ratchet Repair Kit |
| 10 | 019652-40 | 3/8" NPT Live Swivel |



Product Specifications:
 3/8" x 50 Ft. Enclosed Coated Reel, w/ Front Trigger 5/16" Orifice Spray Valve & Swivel

Product Compliance:
 NSF 61 Exempt (Non-Potable)
 EPA Act 2005 Non-Compliant (PRSV)