



T&S BRASS AND BRONZE WORKS, INC.

2 Saddleback Cove / P.O. Box 1088
Travelers Rest, SC 29690

Model No.

BL-5700-08-VR

Item No.

Travelers Rest, SC: 800-476-4103 • Simi Valley, CA: 800-423-0150 • Fax: 864-834-3518 • www.tsbrass.com



ADA Compliant

This Space for Architect/Engineer Approval

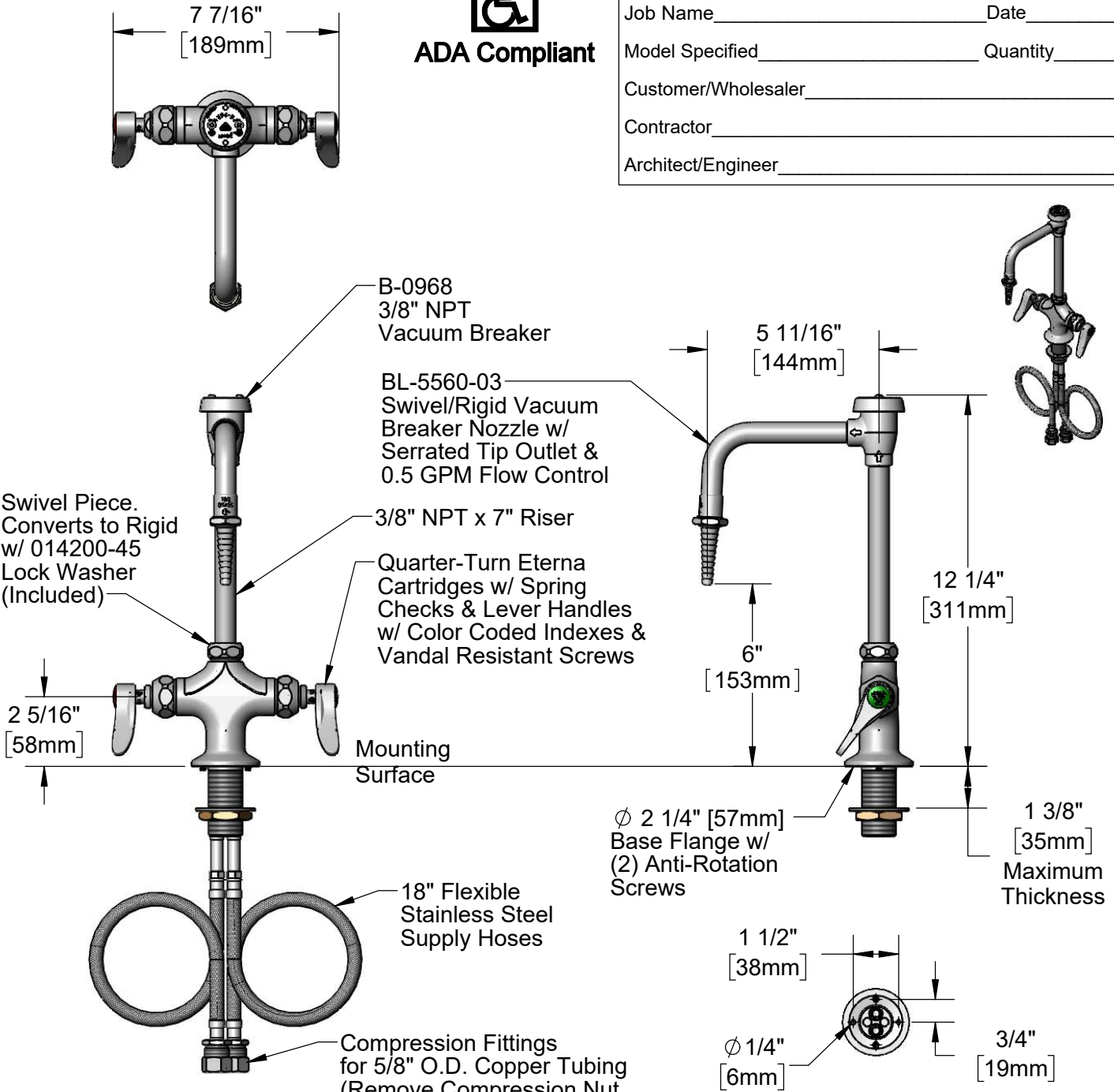
Job Name _____ Date _____

Model Specified _____ Quantity _____

Customer/Wholesaler _____

Contractor _____

Architect/Engineer _____



Rough-In Requirement:
φ 1 1/2" [38mm] Mounting Hole
(2) φ 1/4" [6mm] Anti-Rotation Holes

Product Specifications:
Single Hole Deck Mount Laboratory Mixing Faucet, Quarter-Turn Eterna Cartridges w/ Spring Checks, Swivel/Rigid Nozzle w/ Serrated Tip Outlet & 0.5 GPM Flow Control, 3/8" NPT Vacuum Breaker, Lever Handles, VR Screws & 18" Flexible Stainless Steel Supply Hoses w/ 1/2" NPSM Male Inlets

Product Compliance:
ASME A112.18.1 / CSA B125.1
NSF 61 - Section 9
NSF 372 (Low Lead Content)
ASSE 1001 (VB)
ANSI A117.1 (ADA)



T&S BRASS AND BRONZE WORKS, INC.

2 Saddleback Cove / P.O. Box 1088
Travelers Rest, SC 29690

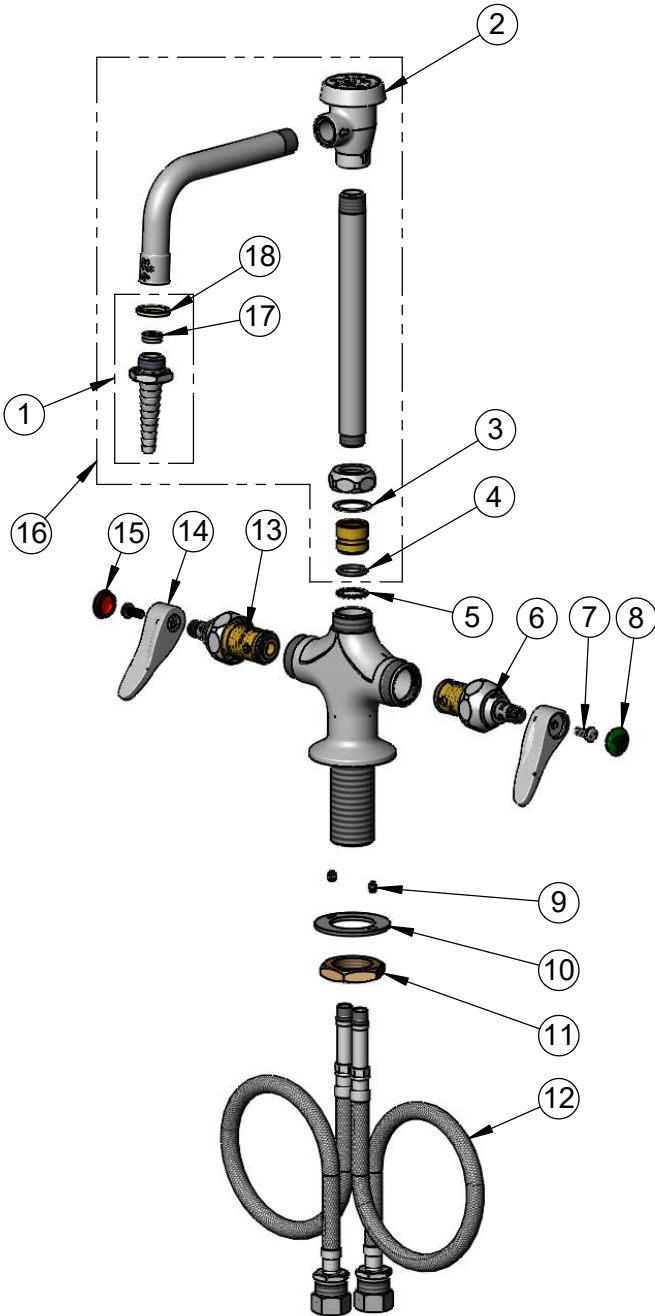
Model No.

BL-5700-08-VR

Item No.

Travelers Rest, SC: 800-476-4103 • Simi Valley, CA: 800-423-0150 • Fax: 864-834-3518 • www.tsbrass.com

ITEM NO.	SALES NO.	DESCRIPTION
1	B-0198-FD05	Serrated Tip w/ 0.5 GPM Flow Disc & Washer
2	B-0968	3/8" NPT Vacuum Breaker
3	009538-45	Swivel Washer
4	001074-45	O-ring
5	014200-45	Star Washer, Anti-Rotation
6	012442-40NS	Quarter-Turn Eterna Cartridge w/ Spring Check, LTC
7	VRS-2	VR Wrist Action Handle Screw (2) w/ Spanner Bit
8	001191-45NS	Green "CW" Lab Button Index
9	012698-45	Anti-Rotation Screw (2)
10	013039-20	Washer, VR Shank
11	000965-45	Lock Nut
12	012534-45	18" Flexible Supply Hose (2)
13	012443-40NS	Quarter-Turn Eterna Cartridge w/ Spring Check, RTC
14	001638-45NS	Lever Handle (New Style)
15	001194-45NS	Red "HW" Lab Button Index
16	BL-5560-03	Swivel Vacuum Breaker w/ Serrated Tip Outlet
17	FD05	Flow Disc, 0.5 GPM [1.9 L/min.] (Lime)
18	001051-45	Washer



014075-45
VR Spanner Bit

Product Specifications:

Single Hole Deck Mount Laboratory Mixing Faucet, Quarter-Turn Eterna Cartridges w/ Spring Checks, Swivel/Rigid Nozzle w/ Serrated Tip Outlet & 0.5 GPM Flow Control, 3/8" NPT Vacuum Breaker, Lever Handles, VR Screws & 18" Flexible Stainless Steel Supply Hoses w/ 1/2" NPSM Male Inlets

Product Compliance:

ASME A112.18.1 / CSA B125.1
NSF 61 - Section 9
NSF 372 (Low Lead Content)
ASSE 1001 (VB)
ANSI A117.1 (ADA)