



T&S BRASS AND BRONZE WORKS, INC.

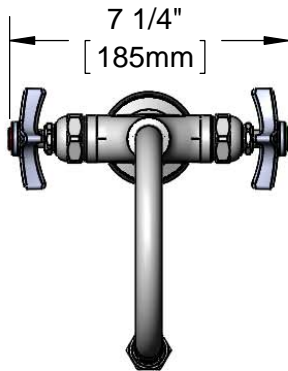
2 Saddleback Cove / P.O. Box 1088
Travelers Rest, SC 29690

Model No.

BL-5704-01

Item No.

Travelers Rest, SC: 800-476-4103 • Simi Valley, CA: 800-423-0150 • Fax: 864-834-3518 • www.tsbrass.com



ADA Compliant

This Space for Architect/Engineer Approval

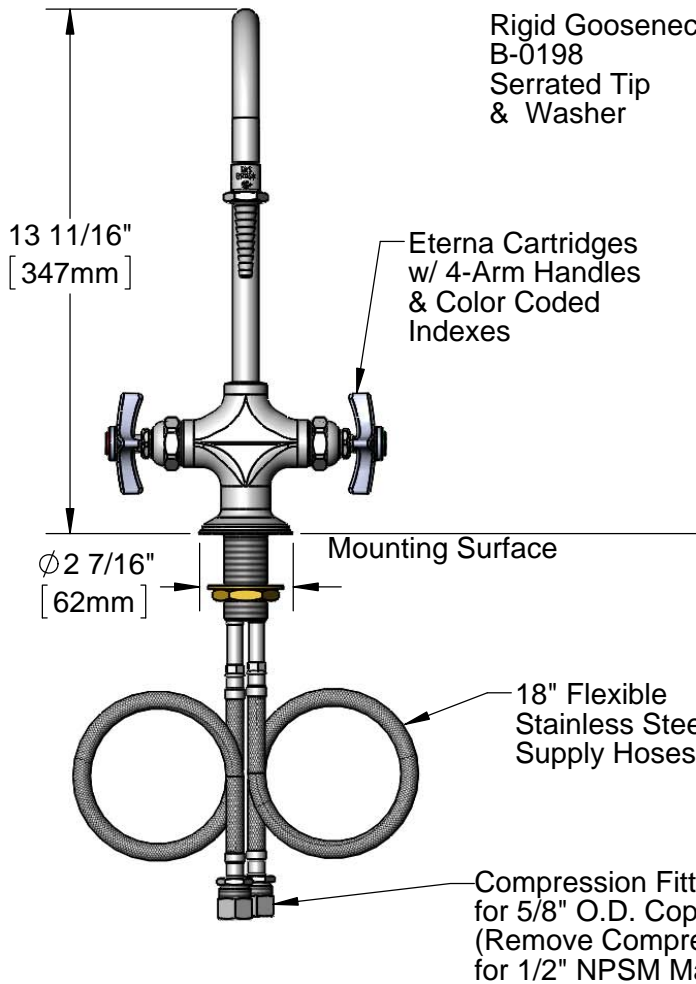
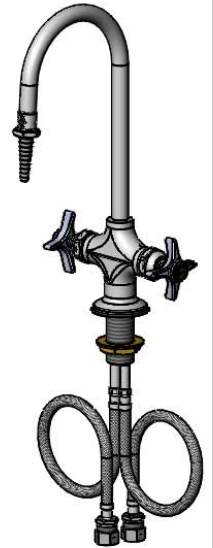
Job Name _____ Date _____

Model Specified _____ Quantity _____

Customer/Wholesaler _____

Contractor _____

Architect/Engineer _____



Rigid Gooseneck w/
B-0198
Serrated Tip
& Washer

5 5/8"
[143mm]

6 5/8"
[169mm]

2 3/8"
[60mm]

1 3/8" Max.
[35mm]

Rough-In Requirement:
Ø 1 1/4" [32mm] Hole

Product Specifications:
Single Hole Lab Mixing Faucet, Eterna Cartridges, 4-Arm Handles, Rigid Gooseneck, Serrated Tip Outlet & 18" Flexible Stainless Steel Supply Hoses w/ 1/2" NPSM Male Inlets

Product Compliance:
ASME A112.18.1 / CSA B125.1
NSF 61 Exempt (Non-Potable)
ANSI A117.1 (ADA)



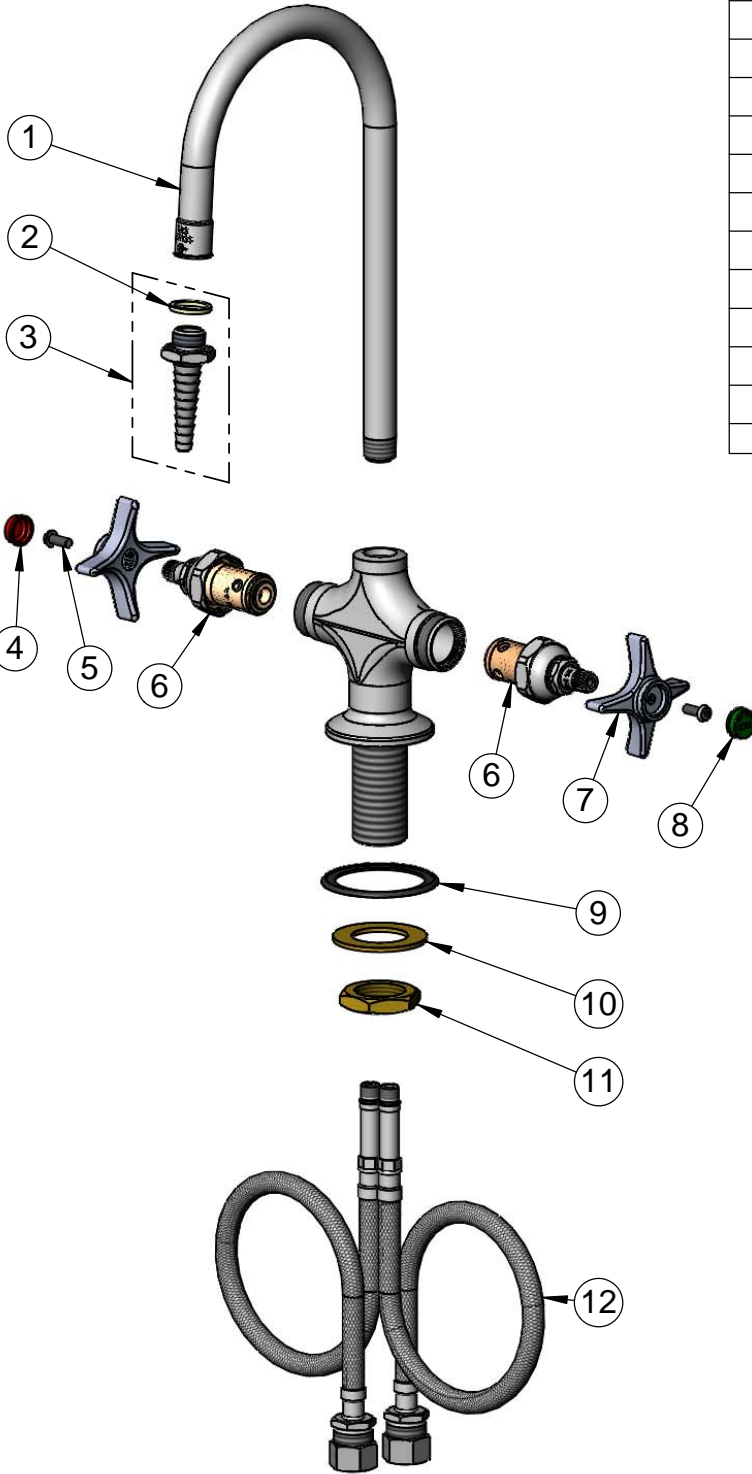
T&S BRASS AND BRONZE WORKS, INC.
 2 Saddleback Cove / P.O. Box 1088
 Travelers Rest, SC 29690

Model No.
BL-5704-01

Item No.

Travelers Rest, SC: 800-476-4103 • Simi Valley, CA: 800-423-0150 • Fax: 864-834-3518 • www.tsbrass.com

ITEM NO.	SALES NO.	DESCRIPTION
1	000398-40	Rigid Gooseneck
2	001051-45	Washer
3	B-0198	Serrated Tip
4	001194-45	Red Index - HW
5	000925-45	Lab Handle Screw
6	005960-40	Eterna Cartridge, RTC
7	000059-40	4-Arm Lab Handle
8	001191-45	Green Index - CW
9	145L	Black Plastic Gasket
10	002290-45	Lock Washer
11	000965-45	Lock Nut
12	012534-45	18" Flexible Supply Hose (2)



Product Specifications:
 Single Hole Lab Mixing Faucet, Eterna Cartridges, 4-Arm Handles, Rigid Gooseneck, Serrated Tip Outlet & 18" Flexible Stainless Steel Supply Hoses w/ 1/2" NPSM Male Inlets

Product Compliance:
 ASME A112.18.1 / CSA B125.1
 NSF 61 Exempt (Non-Potable)
 ANSI A117.1 (ADA)