



T&S BRASS AND BRONZE WORKS, INC.

2 Saddleback Cove / P.O. Box 1088
Travelers Rest, SC 29690

Model No.

HG-2-SK Series

Item No.

Travelers Rest, SC: 800-476-4103 • Simi Valley, CA: 800-423-0150 • Fax: 864-834-3518 • www.tsbrass.com

This Space for Architect/Engineer Approval

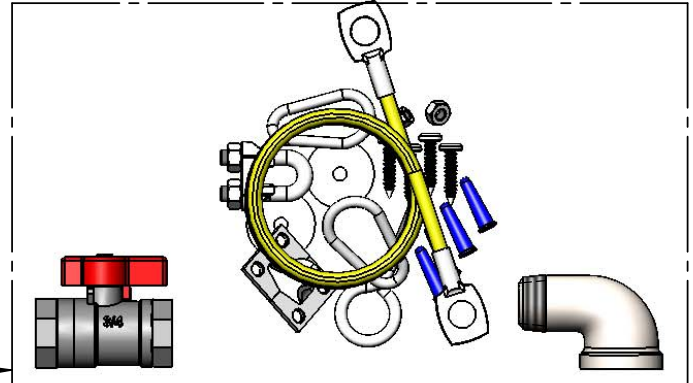
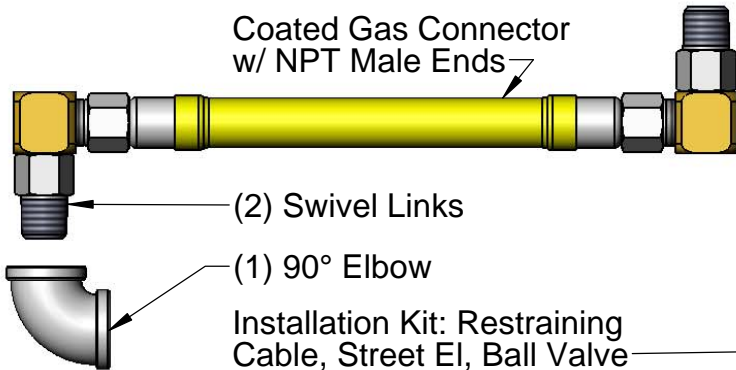
Job Name _____ Date _____

Model Specified _____ Quantity _____

Customer/Wholesaler _____

Contractor _____

Architect/Engineer _____



| "L" = Length | 1/2" NPT |
|--------------|------------|
| 12" | HG-2C-12SK |
| 24" | HG-2C-24SK |
| 36" | HG-2C-36SK |
| 48" | HG-2C-48SK |
| 60" | HG-2C-60SK |
| 72" | HG-2C-72SK |

| "L" = Length | 3/4" NPT |
|--------------|------------|
| 12" | HG-2D-12SK |
| 24" | HG-2D-24SK |
| 36" | HG-2D-36SK |
| 48" | HG-2D-48SK |
| 60" | HG-2D-60SK |
| 72" | HG-2D-72SK |

| "L" = Length | 1" NPT |
|--------------|------------|
| 12" | HG-2E-12SK |
| 24" | HG-2E-24SK |
| 36" | HG-2E-36SK |
| 48" | HG-2E-48SK |
| 60" | HG-2E-60SK |
| 72" | HG-2E-72SK |

| "L" = Length | 1 1/4" NPT |
|--------------|------------|
| 12" | HG-2F-12SK |
| 24" | HG-2F-24SK |
| 36" | HG-2F-36SK |
| 48" | HG-2F-48SK |
| 60" | HG-2F-60SK |
| 72" | HG-2F-72SK |

HG-2-SK Series Product Configurator: HG - 2 - SK

Ex: HG - 2 - SK

Gas Hose, 3/4" NPT Male Ends, 36" Length, (2) Swivel Links, (1) 90° Elbow, (1) Installation Kit

Product Specifications:

Safe-T-Link Gas Appliance Connector: Coated Hose w/ NPT Male Ends, Swivel Links, 90° Elbow & Installation Kit

Product Compliance:

ANSI Z21.69 / CSA 6.16
NSF 2
NFPA 54