



T&S BRASS AND BRONZE WORKS, INC.
 2 Saddleback Cove / P.O. Box 1088
 Travelers Rest, SC 29690

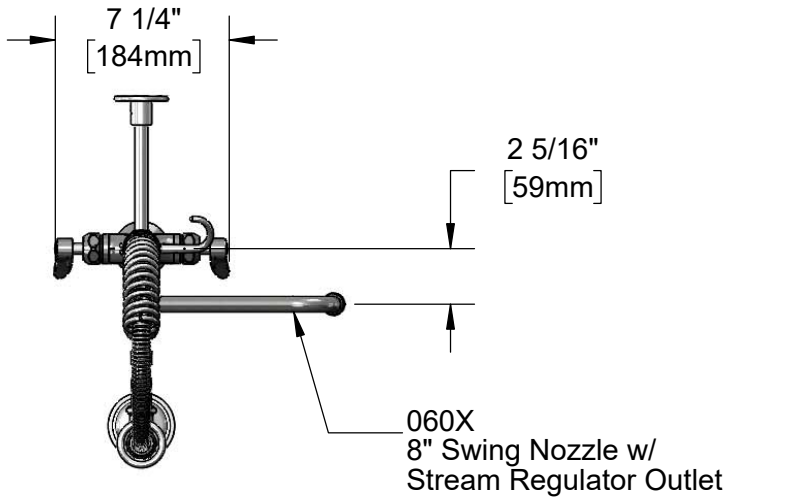
Model No.
MPZ-2DLV-08-CR

Item No.

Travelers Rest, SC: 800-476-4103 • Simi Valley, CA: 800-423-0150 • Fax: 864-834-3518 • www.tsbrass.com

This Space for Architect/Engineer Approval

Job Name _____ Date _____
 Model Specified _____ Quantity _____
 Customer/Wholesaler _____
 Contractor _____
 Architect/Engineer _____

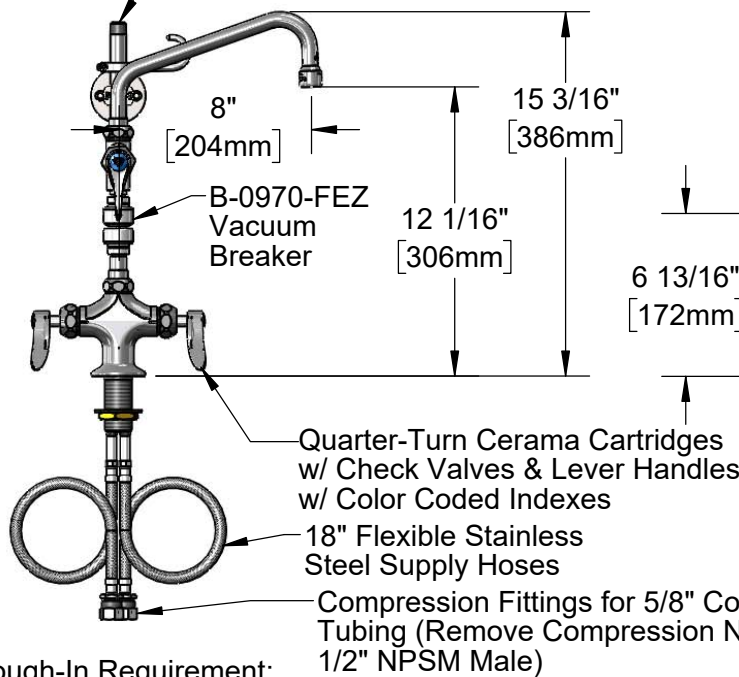


060X
 8" Swing Nozzle w/
 Stream Regulator Outlet

24" Flexible Stainless Steel
 Hose w/ Spring & Spray Valve

Items Not Shown
 For Clarity

B-0107
 1.15 GPM
 Spray Valve



B-0970-FEZ
 Vacuum
 Breaker

Quarter-Turn Cerama Cartridges
 w/ Check Valves & Lever Handles
 w/ Color Coded Indexes

18" Flexible Stainless
 Steel Supply Hoses

Compression Fittings for 5/8" Copper
 Tubing (Remove Compression Nut for
 1/2" NPSM Male)

Mounting
 Surface

Finger Hook

B-0109-01
 6" Wall
 Bracket

3/8" NPT x 5 3/16"
 Riser

Add-On Faucet
 w/ Quarter-Turn
 Cerama Cartridge
 w/ Check Valve
 & Lever Handle

23 13/16"
[605mm]

Rough-In Requirement:
 Ø 1 1/2" [38mm] Mounting Hole

Product Specifications:

EasyInstall Pre-Rinse Unit: Single Hole Deck Mount Mixing Faucet, Quarter-Turn Cerama Cartridges w/ Check Valves, Lever Handles, Add-On Faucet w/ 8" Swing Nozzle, Vacuum Breaker, Compact Spring, 24" Flexible Stainless Steel Hose, 1.15 GPM Spray Valve, 6" Wall Bracket & 18" Flexible Supply Hoses

Product Compliance:

ASME A112.18.1 / CSA B125.1
 NSF 61 - Section 9
 NSF 372 (Low Lead Content)
 2019 DOE PRSV - Class II
 CSA B64.8 (VB)
 For Commercial Use Only



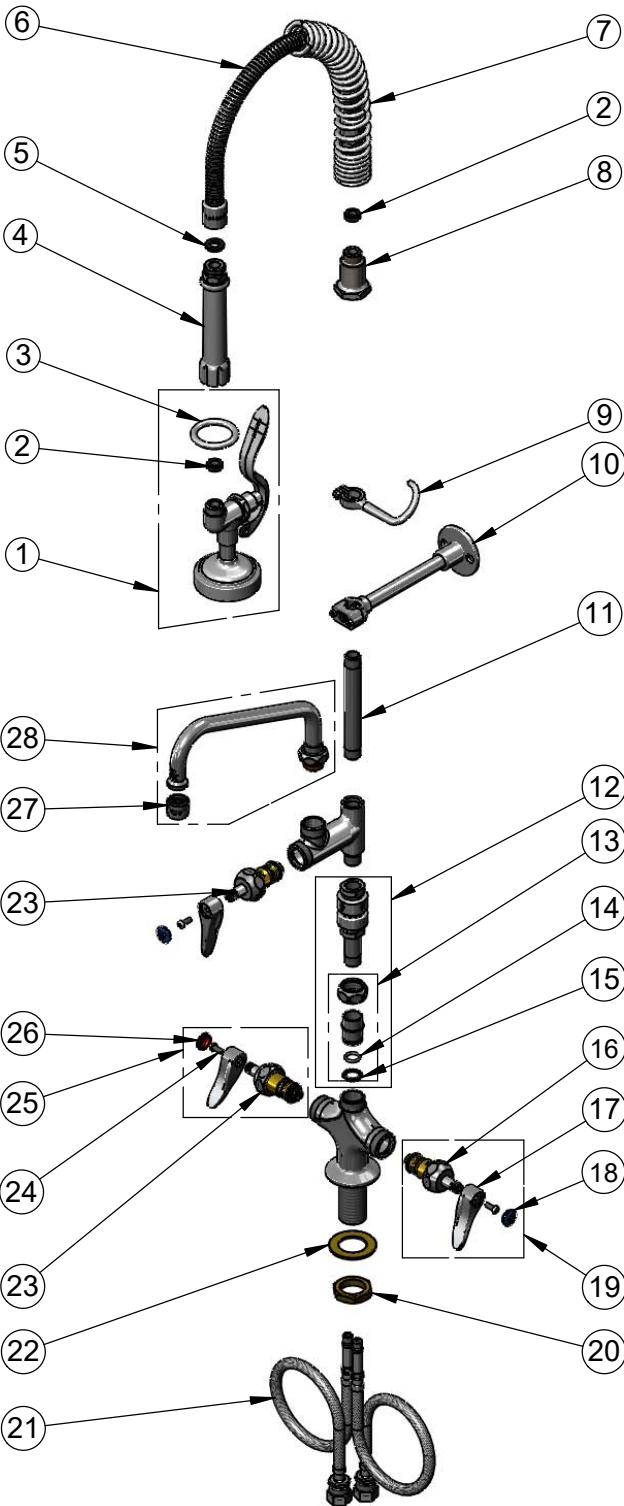
T&S BRASS AND BRONZE WORKS, INC.

2 Saddleback Cove / P.O. Box 1088
Travelers Rest, SC 29690

Model No.
MPZ-2DLV-08-CR

Item No.

Travelers Rest, SC: 800-476-4103 • Simi Valley, CA: 800-423-0150 • Fax: 864-834-3518 • www.tsbrass.com



| ITEM NO. | SALES NO. | DESCRIPTION |
|----------|-------------|---|
| 1 | B-0107 | 1.15 GPM Spray Valve |
| 2 | 010476-45 | #27 Washer |
| 3 | 000907-45 | Spray Valve Hold Down Ring |
| 4 | 002987-40 | Grip Handle |
| 5 | 001014-45 | Washer, B-0100 Hose Barrel |
| 6 | B-0024-H2A | 24" Flexible Stainless Steel Hose, Less Handle |
| 7 | 016795-45 | Compact Spring |
| 8 | 000821-40 | Spring Body |
| 9 | 004R | Finger Hook |
| 10 | B-0109-01 | 6" Wall Bracket |
| 11 | 001617-40 | 3/8" NPT x 5 3/16" Riser |
| 12 | B-0970-FEZ | EasyInstall Vacuum Breaker |
| 13 | EZ-K | EasyInstall Kit: Nut, Bushing, O-Ring & Lock Washer |
| 14 | 001065-45 | O-Ring |
| 15 | 014200-45 | Star Washer, Anti-Rotation |
| 16 | 012395-25NS | Quarter-Turn Cerama Cartridge w/ Check Valve, LTC |
| 17 | 001638-45NS | Lever Handle (New Style) |
| 18 | 018506-19NS | Blue Button Index, Press-in |
| 19 | 012447-25NS | Quarter-Turn Cerama Cartridge w/ Check Valve, Handle, Blue Index & Screw, LTC |
| 20 | 000965-45 | Lock Nut |
| 21 | 012534-45 | 18" Flexible Supply Hose (2) |
| 22 | 002290-45 | Lock Washer |
| 23 | 012394-25NS | Quarter-Turn Cerama Cartridge w/ Check Valve, RTC |
| 24 | 000925-45 | Lab Handle Screw |
| 25 | 012446-25NS | Quarter-Turn Cerama Cartridge w/ Check Valve, Handle, Red Index & Screw, RTC |
| 26 | 001193-19NS | Red Button Index, Press-in |
| 27 | B-PT | Stream Regulator Outlet |
| 28 | 060X | 8" Swing Nozzle |

Product Specifications:

EasyInstall Pre-Rinse Unit: Single Hole Deck Mount Mixing Faucet, Quarter-Turn Cerama Cartridges w/ Check Valves, Lever Handles, Add-On Faucet w/ 8" Swing Nozzle, Vacuum Breaker, Compact Spring, 24" Flexible Stainless Steel Hose, 1.15 GPM Spray Valve, 6" Wall Bracket & 18" Flexible Supply Hoses

Product Compliance:

ASME A112.18.1 / CSA B125.1
NSF 61 - Section 9
NSF 372 (Low Lead Content)
2019 DOE PRSV - Class II
CSA B64.8 (VB)
For Commercial Use Only