



T&S BRASS AND BRONZE WORKS, INC.

2 Saddleback Cove / P.O. Box 1088
Travelers Rest, SC 29690

Model No.

MPZ-8WCN-06

Item No.

Travelers Rest, SC: 800-476-4103 • Simi Valley, CA: 800-423-0150 • Fax: 864-834-3518 • www.tsbrass.com

This Space for Architect/Engineer Approval

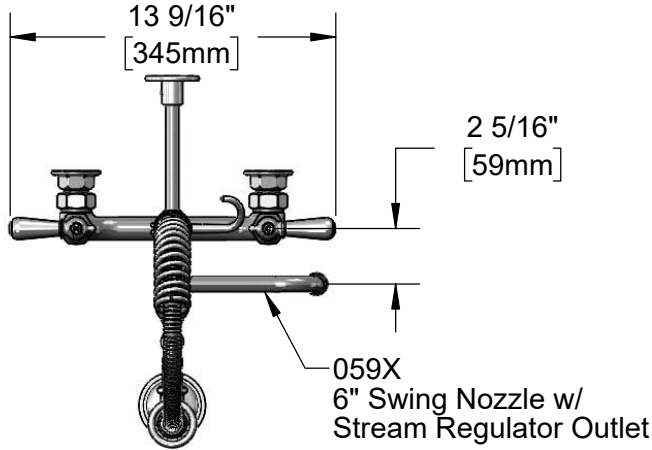
Job Name _____ Date _____

Model Specified _____ Quantity _____

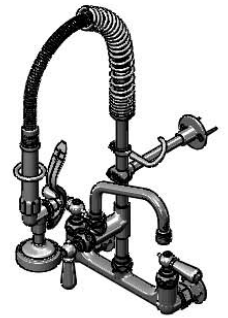
Customer/Wholesaler _____

Contractor _____

Architect/Engineer _____

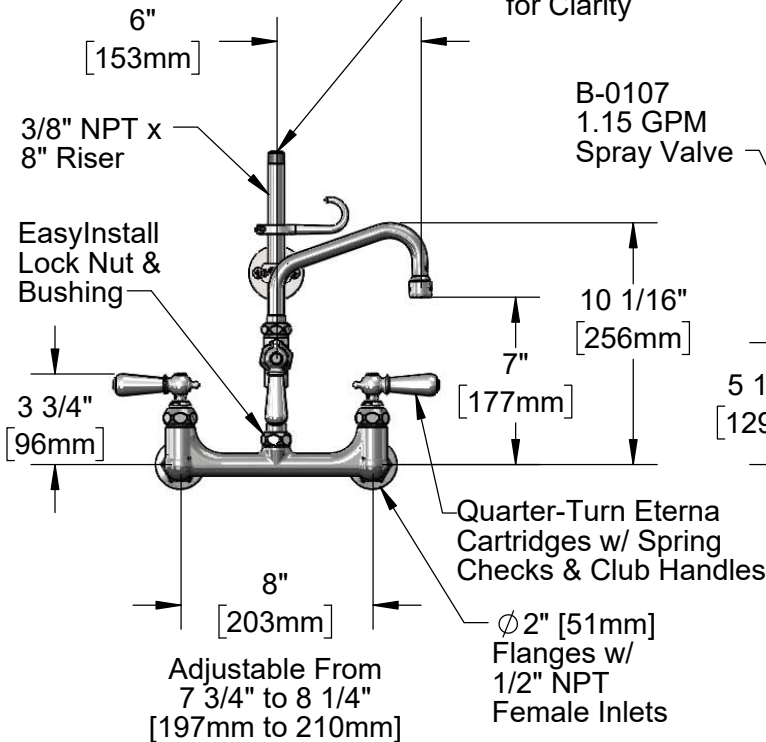


059X
6" Swing Nozzle w/
Stream Regulator Outlet



24" Flexible Stainless
Steel Hose w/ Spring
& Spray Valve

Items Not Shown
for Clarity



3/8" NPT x
8" Riser

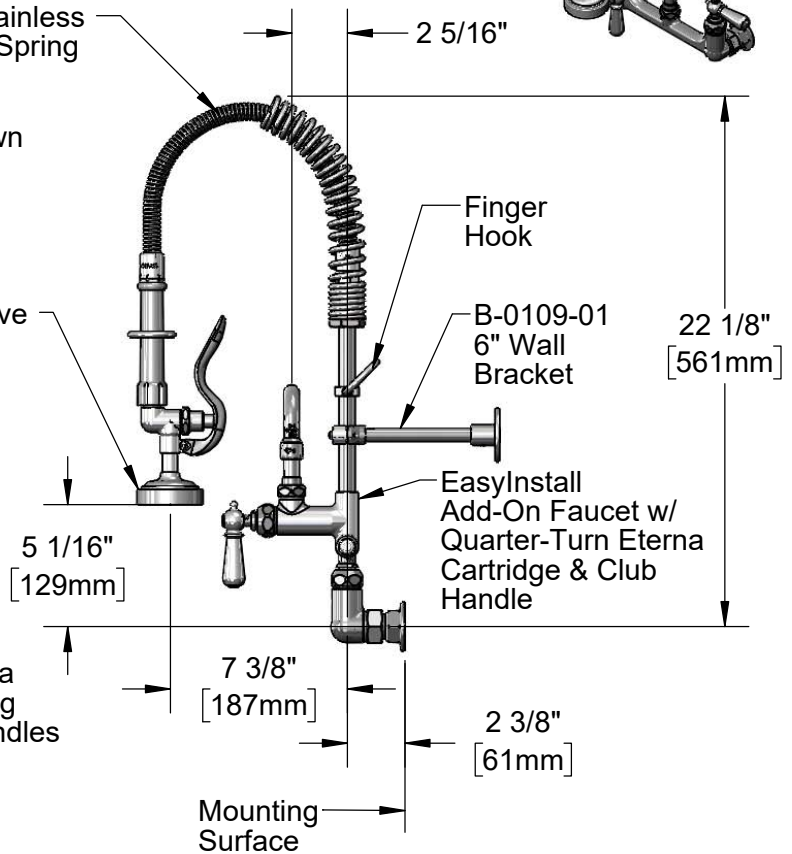
EasyInstall
Lock Nut &
Bushing

B-0107
1.15 GPM
Spray Valve

Quarter-Turn Eterna
Cartridges w/ Spring
Checks & Club Handles

Ø2" [51mm]
Flanges w/
1/2" NPT
Female Inlets

Adjustable From
7 3/4" to 8 1/4"
[197mm to 210mm]



Finger
Hook

B-0109-01
6" Wall
Bracket

EasyInstall
Add-On Faucet w/
Quarter-Turn Eterna
Cartridge & Club
Handle

Mounting
Surface

Product Specifications:

Pre-Rinse Unit: EasyInstall 8" Wall Mount Mixing Faucet, Quarter-Turn Eterna Cartridges w/ Spring Checks, Club Handles, Add-On Faucet w/ 6" Swing Nozzle, Compact Spring, 24" Flexible Stainless Steel Hose, 1.15 GPM Spray Valve, 6" Wall Bracket & 1/2" NPT Female Inlets

Product Compliance:

ASME A112.18.1 / CSA B125.1
NSF 61 - Section 9
NSF 372 (Low Lead Content)
2019 DOE PRSV - Class II
For Commercial Use Only



T&S BRASS AND BRONZE WORKS, INC.

2 Saddleback Cove / P.O. Box 1088
Travelers Rest, SC 29690

Model No.

MPZ-8WCN-06

Item No.

Travelers Rest, SC: 800-476-4103 • Simi Valley, CA: 800-423-0150 • Fax: 864-834-3518 • www.tsbrass.com

	ITEM NO.	SALES NO.	DESCRIPTION
	1	B-0107	1.15 GPM Spray Valve
	2	010476-45	#27 Washer
	3	000907-45	Spray Valve Hold Down Ring
	4	002987-40	Grip Handle
	5	001014-45	Washer, B-0100 Hose Barrel
	6	B-0024-H2A	24" Flexible Stainless Steel Hose, Less Handle
	7	016795-45	Compact Spring
	8	000821-40	Spring Body
	9	B-0109-01	6" Wall Bracket
	10	004R	Finger Hook
	11	078X	Nipple, 3/8" NPT x 8"
	12	EZ-K	EasyInstall Kit
	13	001065-45	O-Ring
	14	014200-45	Star Washer, Anti-Rotation
	15	009304-41	Decorative Cap Insert, Cold
	16	001066-45	O-Ring
	17	000922-45	Lever Handle Screw
	18	009331-41	Decorative Club Handle Kit, Cold
	19	012442-40NS	Quarter-Turn Eterna Cartridge w/ Spring Check, LTC
	20	00AA	1/2" NPT Female Eccentric Flange
	21	001019-45	Coupling Nut Washer
	22	012443-40NS	Quarter-Turn Eterna Cartridge w/ Spring Check, RTC
	23	009332-41	Decorative Club Handle Kit, Hot
	24	009303-41	Decorative Cap Insert, Hot
	25	009285-40	Cap Insert Blank
	26	017181-41	Decorative Club Handle - Blank
	27	B-PT	Full Flow Stream Regulator, 55/64-27
	28	059X	6" Swing Nozzle

Product Specifications:
 Pre-Rinse Unit: EasyInstall 8" Wall Mount Mixing Faucet, Quarter-Turn Eterna Cartridges w/ Spring Checks, Club Handles, Add-On Faucet w/ 6" Swing Nozzle, Compact Spring, 24" Flexible Stainless Steel Hose, 1.15 GPM Spray Valve, 6" Wall Bracket & 1/2" NPT Female Inlets

Product Compliance:
 ASME A112.18.1 / CSA B125.1
 NSF 61 - Section 9
 NSF 372 (Low Lead Content)
 2019 DOE PRSV - Class II
 For Commercial Use Only