



"Your Solutions Partner"

Specifications

F.O.B Sedalia, Missouri 65301



DBS-1

OPTIONS:

- Stainless steel interior
- Oven racks
- Extended warranty: 2 year parts & labor

AGENCY LISTINGS:



DUKE MANUFACTURING CO.
 2305 N. Broadway
 St. Louis, MO 63102

800.735.3853 Toll Free
 314-231-1130 In Missouri
 314.231.5074 Fax
 www.dukemfg.com

Approval Stamp(s):

PRODUCT INFORMATION:

PROJECT: _____

ITEM: _____

QUANTITY: _____

MODEL:

Duke Baking Station - DBS-1

- DBS-1** 59-E3 Oven, Electric/59-BS Stand

OVEN SECTION:

- 5 racks/9 rack positions
- Porcelain interior finish - 15-3/4"W x 20"H x 21" D cavity
- Field reversible door, single hinge
- Stainless steel front, sides, top
- 1" insulation on bottom, sides, back
- 3" insulation on top

OVEN CONTROLS:

- "XX" - Solid state digital time and temperature controls, 12-hour countdown timer, **Cook and Hold** feature, 2-speed fan, Pulse fan capability
- "ZZ" - 10 programmable menu buttons, 5-rack ID timers, computerized digital time and temperature controls, Cook and Hold feature, 2-speed fan, Pulse Fan capacity

STAND SECTION

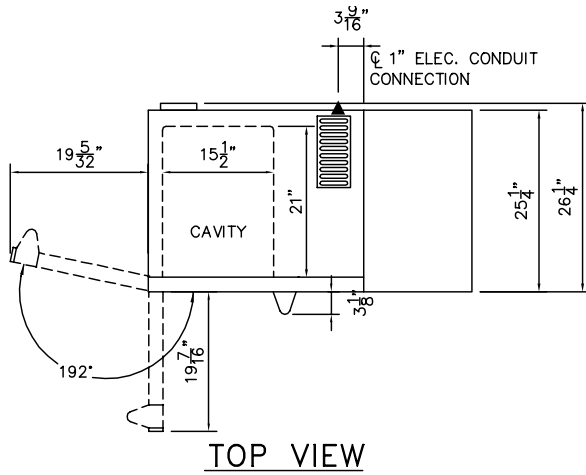
- Stainless steel
- Pull-out top shelf
- 15" removable side shelf
- 2 undershelves
- NSF approved swivel casters, 2 locking

SHORT FORM SPECIFICATIONS:

Duke Baking Centers - DBS - 1 - 59 -E3 Oven/59-BS Stand. Oven section shall have single stainless steel door, with glass, hinged on oiled bronze busings. Bottom, sides and back of oven shall be fully insulated with 1" thick insulation, top to have 3" thick insulation. Five racks and nine rack positions available in oven section. Two-speed, 1/2 HP blower motor in oven. 8.0 KW input. ON-OFF-COOL DOWN switch, fused to protect against overload shall be provided. Stand shall be constructed of stainless steel and consist of pull out top shelf to accommodate one 13" x 18" biscuit pan and 3 each 6" deep. 1/6 pan inserts. A removable 15" side shelf, either right or left side mounted, is included. An undershelf will accommodate up to 20 each 13" x 18" biscuit pans. A second undershelf will accommodate large containers. Stand to be mounted on NSF approved 4-1/2" diameter casters, two with locks. A 1/10 warranty consisting of 1 year parts and labor on the entire oven (excluding consumables) and an additional 10 year limited oven door warranty is standard.

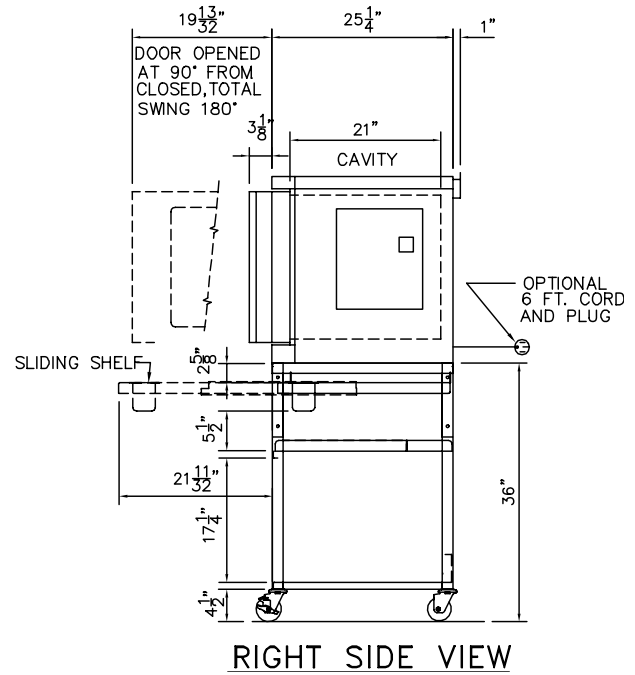
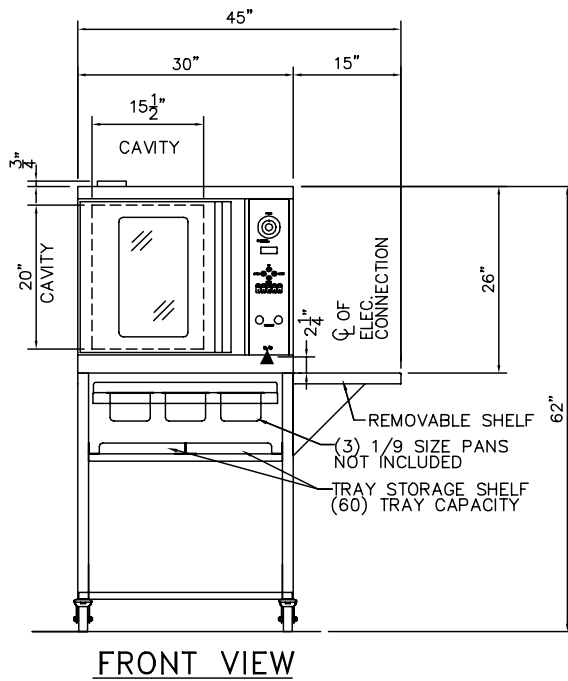
DUKE BAKING STATION - DBS-1

□ **DBS-1** 59-E3 Oven, Electric/59-BS Stand



Electrical Specifications			
	208V Amps	240V Amps	KW
1 Phase	40.0	35.0	8.0
3 Phase	24.0	21.0	8.0

▲ - Electronic connection point



DIMENSIONS:

FREIGHT CLASS: 85

Model	Depth		Width		Height		Cube ft. crated	Weight	
	in	cm	in.	cm	in.	cm		lbs	kg
59-E3	25-1/4	64.1	30	76.2	26	66.0	14.2	265	120.5
59-BS	25-1/4	64.1	45	114.3	36	91.4	28.2	190	86.4



"Your Solutions Partner"

DUKE MANUFACTURING CO.
2305 N. Broadway
St. Louis, MO 63102

800.735.3853 Toll Free
314.231.5074 Fax
www.dukemfg.com

Specification subject to change

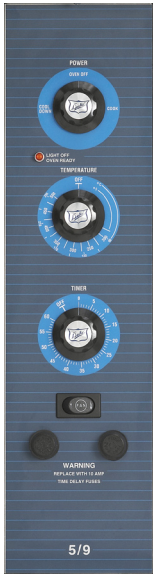
06/08
Printed in U.S.A.
© 2008, Duke Manufacturing Co.



"Your Solutions Partner"

Specifications

F.O.B Sedalia, Missouri 65301



V Control



ZZ Control



XX Control

Approval Stamp(s):

PRODUCT INFORMATION:

PROJECT: _____

ITEM: _____

QUANTITY: _____

MODEL:

Duke Convection Ovens Accessories and Options

OVEN CONTROLS:

- "V" - Basic snap action thermostat (200° - 500°F), 60 minute electric dial timer with continuous sounding buzzer, 2-speed fan
- "XX" - Solid state digital time and temperature controls, 12-hour countdown timer, **Cook and Hold** feature, 2-speed fan, Pulse fan capability
- "ZZ" - 10 programmable menu buttons, 5-rack ID timers, computerized digital time and temperature controls, Cook and Hold feature, 2-speed fan, Pulse Fan capacity - **Not Available On Gas Ovens**

OPTIONS:

For Gas and Electric Convection Ovens

- Stainless steel interior
- 8" or 27" stainless steel angular legs
- Open leg base, stainless steel, w/rack guides
- Double stacked ovens - shipped assembled
- Stainless steel back enclosure panel
- Casters
- Seismic feet
- Field stacking kit
- Porcelain drip tray
- Extra oven racks - standard and deep depth
- Prison package - tamper proof screws, lexan hinged covers with lockable clasp
- Extended warranty

For Gas Ovens Only

- 48" flexible disconnect, with restraining device
- Down draft hood
- Flue deflector
- Common gas manifold

For Electric Ovens Only

- High voltage - 380/415/440/480

SHORT FORM SPECIFICATIONS:

Duke Convection Ovens - Accessories and Options. Three (3) control panels for electric 613, 613Q & 59-E series ovens, 2 oven control panels for gas 613 & 613Q series oven. Only "V" oven controls for E101 and E102 series ovens. Baking Station and Baking Centers available with "XX" and "ZZ" control panels. See above for specific options regarding gas and electric convection ovens.

AGENCY LISTINGS:



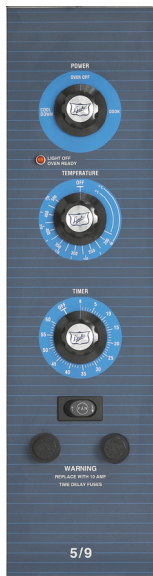
DUKE MANUFACTURING CO.
2305 N. Broadway
St. Louis, MO 63102

800.735.3853 Toll Free
314-231-1130 In Missouri
314.231.5074 Fax
www.dukemfg.com

DUKE CONVECTION OVENS ACCESSORIES AND OPTIONS

OVEN CONTROLS:

- "V" - Basic snap action thermostat (200° - 500°F), 60 minute electric dial timer with continuous sounding buzzer, 2-speed fan
- "XX" - Solid state digital time and temperature controls, 12-hour countdown timer, **Cook and Hold** feature, 2-speed fan, Pulse fan capability
- "ZZ" - 10 programmable menu buttons, 5-rack ID timers, computerized digital time and temperature controls, Cook and Hold feature, 2-speed fan, Pulse Fan capacity



V Control



ZZ Control



XX Control



“Your Solutions Partner”

DUKE MANUFACTURING CO.
 2305 N. Broadway
 St. Louis, MO 63102

800.735.3853 Toll Free
 314.231.5074 Fax
 www.dukemfg.com

Specification subject to change

06/08
 Printed in U.S.A
 © 2008, Duke Manufacturing Co.