



Your Solutions Partner

Specifications

F.O.B. Sedalia, Missouri 65301



DBC-1

Approval Stamp(s):

PRODUCT INFORMATION:

PROJECT: _____

ITEM: _____

QUANTITY: _____

MODEL:

Duke Baking Centers - DBC-1

Half Size - Electric

- DBC-1 59-E3 Oven with PFB-1 Proofer Base

OVEN SECTION:

- Porcelain interior
- 5 racks/9 rack positions
- Single hinged door/door glass/reversible door hinging

OVEN CONTROLS:

- "XX" - Solid state digital time and temperature controls, 12-hour countdown timer, Cook and Hold feature, 2-speed fan, Pulse fan capability

PROOFER SECTION

- Stainless steel front, sides, back and top
- Tempered glass on door
- Stainless steel cavity - 8 rack guides/16 racks
- Solid state temperature control
- 1-hour electric dial timer
- Water reservoir

AGENCY LISTINGS:



DUKE MANUFACTURING CO.

2305 N. Broadway

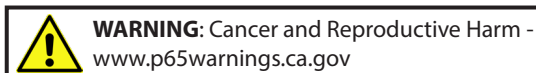
St. Louis, MO 63102

800.735.3853 Toll Free

314.231.5074 Fax

www.dukemfg.com

Specification subject to change



SS-1038 Proofer Base -1DBC-1

REV C 09/25/2019

DUKE BAKING CENTERS - DBC-1

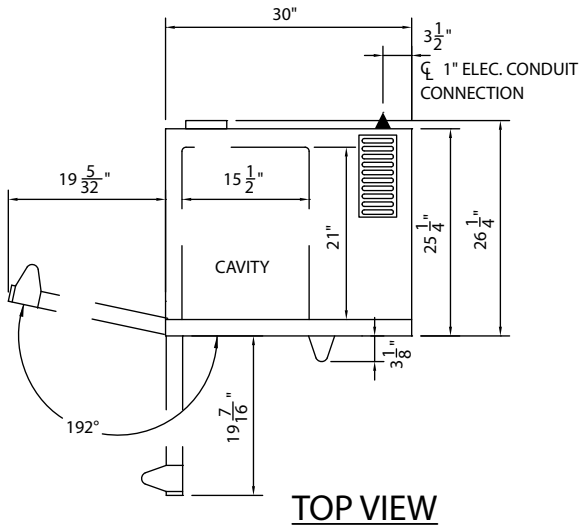
Catalog No. DBC-DBC1

A.I.A. File No. 35-C-13

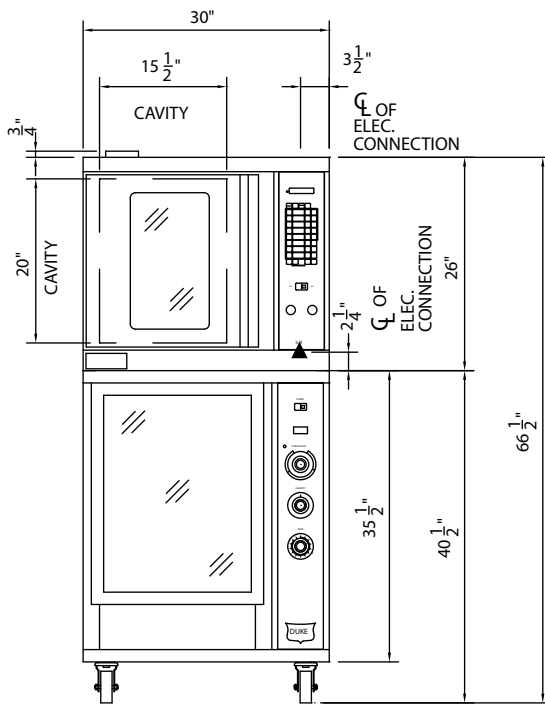
DUKE BAKING CENTER - DBC-1

A.I.A. File No. 35-C-13

Catalog No. DBC-DBC1

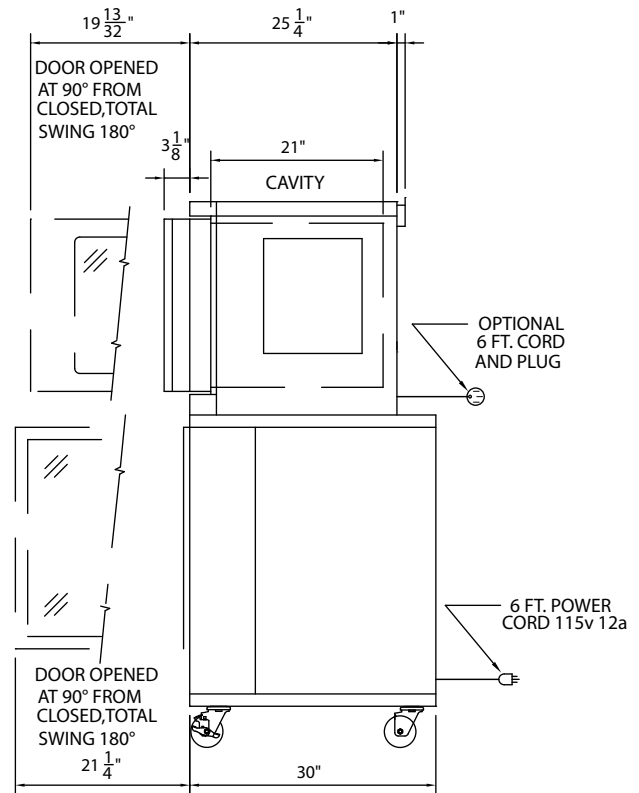


TOP VIEW



FRONT VIEW

Electrical Specifications			
59-E3	208 Volts	240 Volts	KW
1 Phase	40.0 Amps	35.0 Amps	8.0
3 Phase	35.0 Amps	21.0 Amps	8.0
PFB-1	120 Volts	1545 Watts	
1 Phase	12.9 Amps	n/a	1.5
▲ - Electronic connection point			



RIGHT SIDE VIEW

DIMENSIONS:

FREIGHT CLASS: 85

Model	Depth		Width		Height		Cube ft. crated	Weight	
	in	cm	in.	cm	in.	cm		lbs	kg
59-E3	25-1/4	64.1	30	76.2	26	66.0	14.2	265	120.5
PFB-1	30	76.2	30	76.2	40	101.6	24.9	190	86.4

DUKE BAKING CENTERS - DBC-1



Duke Manufacturing Co.
2305 N. Broadway
St. Louis, MO 63102

Phone: 314-231-1130
Toll Free: 1-800-735-3853
Fax: 314-231-5074

www.dukemfg.com

Printed in U.S.A
© 2018, Duke Manufacturing Co.