



Your Solutions Partner

Specifications

F.O.B St. Louis, Missouri 63102



E101-G

OPTIONS:

- 2-speed fan
- Natural or Propane
- Casters

AGENCY LISTINGS:



DUKE MANUFACTURING CO.

2305 N. Broadway
St. Louis, MO 63102

800.735.3853 Toll Free
314-231-1130 In Missouri
314.231.5074 Fax
www.dukemfg.com

SS-DM-00098-CO-21

Approval Stamp(s):

PRODUCT INFORMATION:

PROJECT: _____

ITEM: _____

QUANTITY: _____

MODEL:

Duke Convection Ovens "E" Series - Single Section - Gas

- E101-G** Single section standard depth

STANDARD FEATURES:

- 5 racks
- Porcelain interior
- Stainless steel front
- 27" angular painted legs

OVEN SECTIONS:

- Stainless steel front
- Painted sides, top
- 50/50 stainless steel doors
- Double pane glass in both doors
- 1-1/2" insulation on bottom, sides & back
- 3" insulation on top
- Interior lights

OVEN CONTROLS

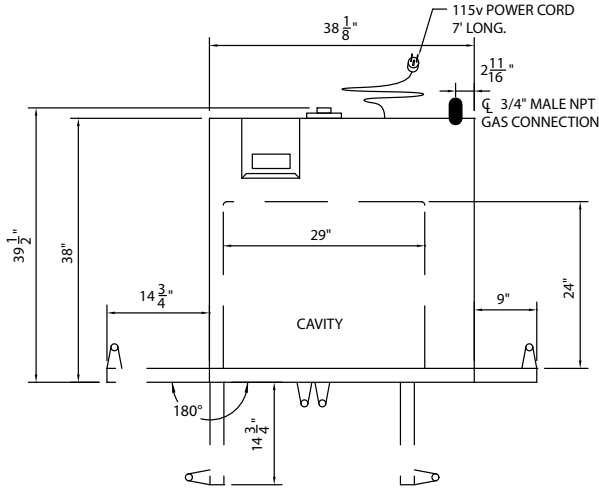
- Power off/cook switch
- Dial type thermostat - 200° - 500°F
- 1-hour dial timer, electric buzzer

SHORT FORM SPECIFICATIONS:

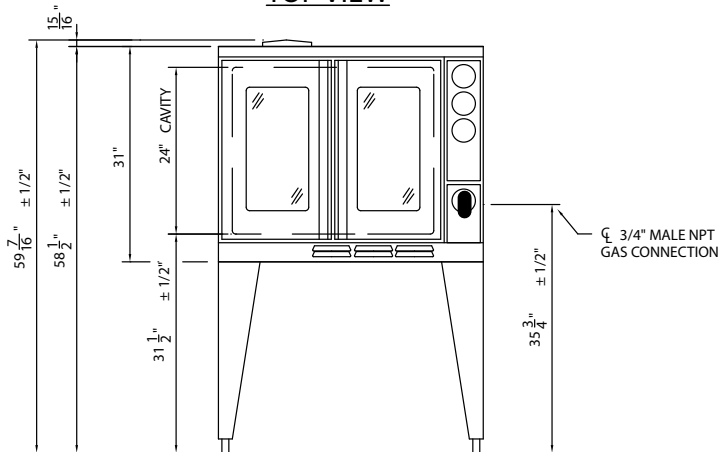
Duke Convection Ovens - "E" Series -Single Section - Gas. Unit shall have stainless steel exterior front, painted sides and top. Bottom, back and sides to be fully insulated with 1-1/2" thick board type insulation, top to have 3" thick insulation. Interior shall be porcelain enameled interior, with 7/8" radius, coved corners. Each section to include five oven racks. Each oven section to be powered by 40,000 BTU, high output atmospheric burner system. Ignition system is accomplished with an electronic pilot relight system. Oven shall be furnished with a main gas shut off valve in the control panel area. A built-in gas regulator is standard. Unit to be completely front serviceable. Controls shall be: Power off/cook switch, dial type thermostat to operate from 200° - 500°F, and a 1-hour dial timer with electric buzzer. Built-in gas regulator. Door shall be 50/50 independent stainless steel. Insulated, and hinged on 5/8" solid stainless steel shafts with oil impregnated bronze bushings for each door. Double pane glass in both doors standard. Door to have roller style latch and catch mechanism. Legs shall be angular, painted 27" high, with adjustable feet. Units shall have the following options: 2-speed fan & casters. Limited 1 year warranty on parts and labor.

**DUKE CONVECTION OVENS
"E" SERIES - SINGLE SECTION - GAS**

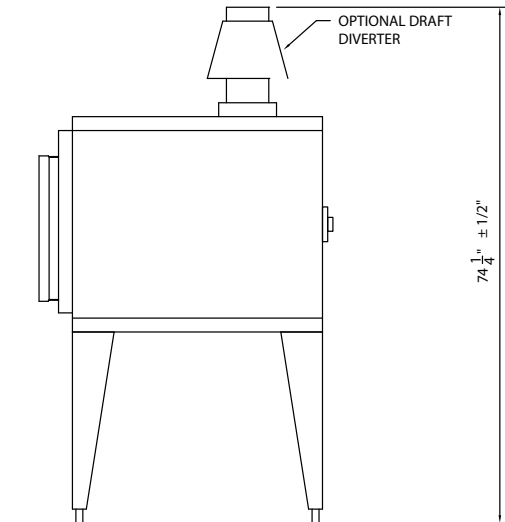
■ **E101-G** Single section, standard depth



TOP VIEW



FRONT VIEW



RIGHT SIDE VIEW

| Gas Specifications | |
|---|----------|
| | BTU/Hour |
| E101-G | 40,000 |
| Regulated gas pressure required 3.5" WC natural /10" WC propane | |
| Combustible surface clearance - 1" side, 1" rear, 6" floor | |
| ■ - Gas connection | |
| 3/4" Gas connection | |
| Electrical requirements: 3.5 Amps/ 115V | |
| Standard 115V units supplied with 5' cord and plug | |

DIMENSIONS:

FREIGHT CLASS: 85

| Model | Depth | | Width | | Height | | Cube ft. crated | Weight | |
|---------------|--------|-------|-------|------|--------|-------|-----------------|--------|-------|
| | in | cm | in. | cm | in. | cm | | lbs | kg |
| E101-G | 39-1/2 | 100.3 | 38 | 96.5 | 60 | 152.4 | 59.6 | 540 | 245.0 |

Specify gas type

Specify altitude over 2000 feet



DUKE MANUFACTURING CO.

2305 N. Broadway
St. Louis, MO 63102

800.735.3853 Toll Free
314.231.1130 In Missouri
314.231.5074 Fax
www.dukemfg.com

Specification subject to change