



Your Solutions Partner

# Specifications

F.O.B St. Louis, Missouri 63102



**E102-G**  
(Shown w/optional casters)

### OPTIONS:

- 2-speed fan
- Natural or Propane
- Casters

### AGENCY LISTINGS:



### DUKE MANUFACTURING CO.

2305 N. Broadway  
St. Louis, MO 63102

800.735.3853 Toll Free  
314-231-1130 In Missouri  
314.231.5074 Fax  
www.dukemfg.com

SS-DM-00100-CO-23

## Approval Stamp(s):

### PRODUCT INFORMATION:

PROJECT: \_\_\_\_\_

ITEM: \_\_\_\_\_

QUANTITY: \_\_\_\_\_

MODEL:

### Duke Convection Ovens

### "E" Series - Double Section - Gas

**E102-G** Double section standard depth

### STANDARD FEATURES:

- 5 racks
- Porcelain interior
- 50/50 independent stainless steel doors
- Double pane glass in both doors
- 8" angular stainless steel legs/adjustable feet

### OVEN SECTIONS:

- Stainless steel front
- Painted sides, top
- 1-1/2" insulation on bottom, sides & back
- 3" insulation on top
- Interior lights

### BURNER SYSTEM:

- 40,000 BTU
- High output atmospheric burner system
- Main gas shut off valve
- Built-in gas regulator

### OVEN CONTROLS:

- Power off/cook switch
- Dial type thermostat - 200° - 500°F
- 1-hour dial timer, electric buzzer

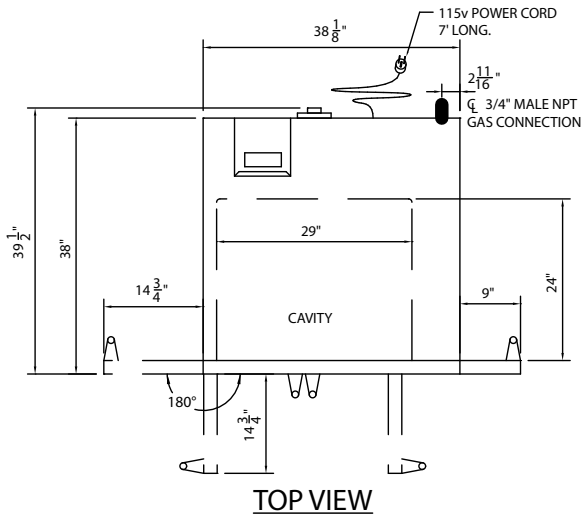
### SHORT FORM SPECIFICATIONS:

#### Duke Convection Ovens - "E" Series -Double Section - Gas.

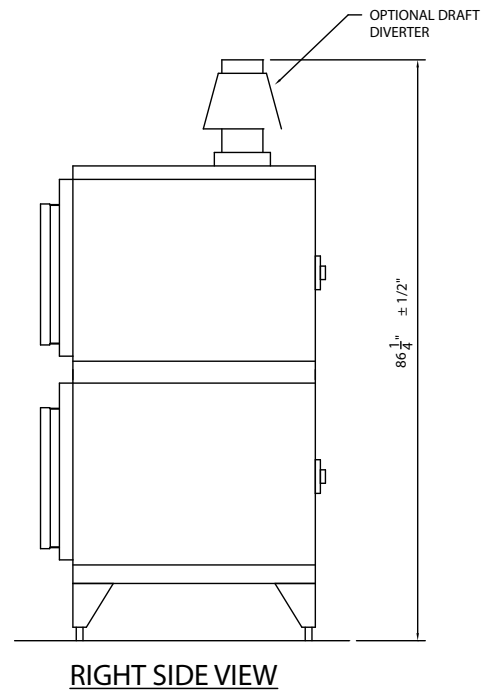
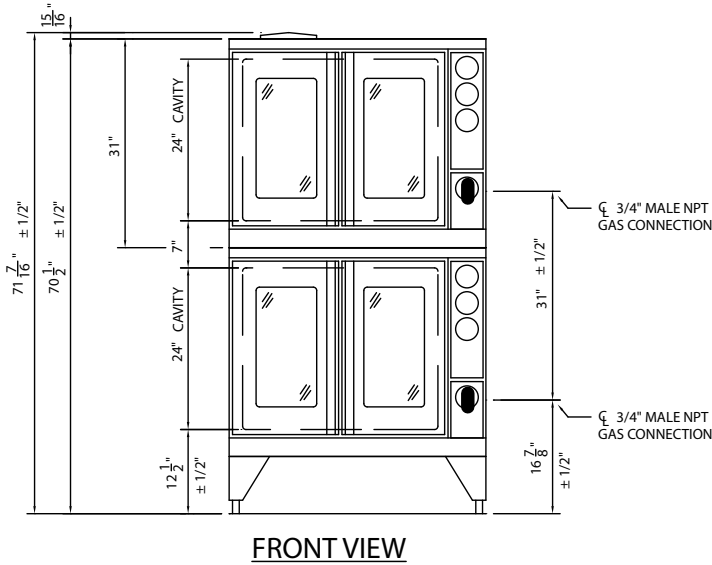
Unit shall have stainless steel exterior front, painted sides and top. Bottom, back and sides to be fully insulated with 1-1/2" thick board type insulation, top to have 3" thick insulation. Interior shall be porcelain enameled interior, with 7/8" radius, coved corners. Each section to include 5 oven racks. Each oven section to be powered by 40,000 BTU, high output atmospheric burner system. Ignition system is accomplished with an electronic pilot relight system. Oven shall be furnished with a main gas shut off valve in the control panel area. A built-in gas regulator is standard. Unit to be completely front serviceable. Controls shall be: Power off/cook switch, dial type thermostat to operate from 200° - 500°F, and a 1-hour dial timer with electric buzzer. Built-in gas regulator. Door shall be 50/50 independent stainless steel, insulated, and hinged on 5/8" solid stainless steel shafts with oil impregnated bronze bushings for each door. Double pane glass in both doors standard. Door to have roller style latch and catch mechanism. Legs shall be angular, 8" high stainless steel, with adjustable feet. Units shall have the following options: 2-speed fan & casters. Limited 1 year warranty on parts and labor.

**DUKE CONVECTION OVENS  
"E" SERIES - DOUBLE SECTION - GAS**

■ **E102-G** Double section, standard depth



| Gas Specifications  |          |
|---|----------|
|   | BTU/Hour |
| <b>E102-G</b>   | 40,000   |
| Regulated gas pressure required 3.5" WC natural /10" WC propane |          |
| Combustible surface clearance - 1" side, 1" rear, 6" floor      |          |
| ■ - Gas connection  |          |
| 3/4" Gas connection   |          |
| Electrical requirements: 3.5 Amps/ 115V                         |          |
| Standard 115V units supplied with 5' cord and plug              |          |



DIMENSIONS:

FREIGHT CLASS: 85

| Model         | Depth  |       | Width |      | Height |       | Cube ft. crated | Weight |       |
|---------------|--------|-------|-------|------|--------|-------|-----------------|--------|-------|
|               | in     | cm    | in.   | cm   | in.    | cm    |                 | lbs    | kg    |
| <b>E102-G</b> | 39-1/2 | 100.3 | 38    | 96.5 | 70-1/2 | 179.1 | 69.7            | 1080   | 490.9 |

Specify gas type

Specify altitude over 2000 feet



**DUKE MANUFACTURING CO.**

2305 N. Broadway  
St. Louis, MO 63102

800.735.3853 Toll Free  
314.231.1130 In Missouri  
314.231.5074 Fax  
www.dukemfg.com

Specification subject to change