

Project _____

Item Number _____

Quantity _____

4610



4610 Economy Slicer

Model:

➤ 4610: 1/4hp Manual Slicer



CERTIFIED BY NSF INTERNATIONAL TO MEET AND EXCEED THE NSF/ANSI 2012 STANDARDS

10" Precision slicing German hollow ground blade
 Unique smooth curve transitions to redirect liquids away from controls and operator
 Easily detachable carriage for easy cleaning

Economy Series Slicer

Features:

- Light duty, intermediate volume slicer
- Maximum duty 2 hours a day
- Capable of slicing small amounts of cheese
- Unique drip tray fence redirects liquids away from controls and operator towards distinctive concave base casting for easy cleaning
- Ergonomic comfort design operation
- Powerful 1/4 hp motor standard
- Adjustable slice thickness from 0 to 1/2"
- Easily removable sharpener for cleaning
- Quick and simple disassembly of carriage and feed grip for easy and thorough cleaning
- Sanitary polished and anodized aluminum construction
- Permanently mounted protective edge guard for operator safety

Optional Accessories:

- Stainless steel blade
- Heavy duty clear plastic cover
- Sturdy stainless steel stand

Warranty:

- One year, carry-in parts and labor

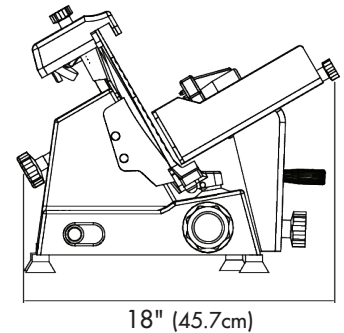
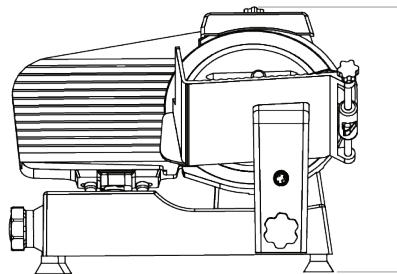
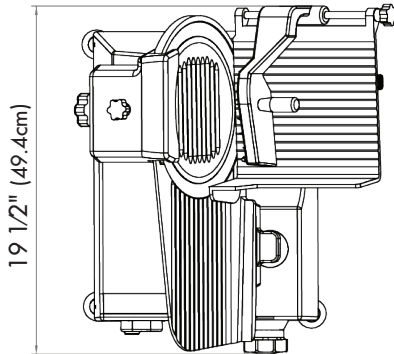
Univex Corporation



WE RAISE THE BAR. WE SET THE STANDARD.

Economy Series Slicer

4610



Controls: Manual slice thickness knob, push button on/off, attached blade sharpener

Drive Assembly: Belt driven

Blade diameter: 10" (25.4cm) razor sharp blade

Blade RPM: 420 RPM

Maximum Slice thickness: .5" (1.27cm)

Maximum product size: Rectangular: 8" x 5" (20.3cm x 13.3cm)

Square: 5" x 5" (13.3cm x 13.3cm)

Round: 7" (20.3cm)

Construction: Anodized, cast aluminum body for durability and stunning looks

Nema #: 5-15-P

Electrical Information (60Hz)

	Voltage	Phase	Amps	RPM	hp(kW)
Standard Voltage	115	1	1.9	1680	1/4 (.19)
Optional Voltage	208-240	1	1.0	1680	1/4 (.19)

Carriage Stroke

9.25" (23.5cm)

Shipping Information

Net Weight	Shipping Weight	Overall Shipping Dimensions
46.1lbs. (20.9Kg)	55lbs. (25Kg)	21" (53.3cm) H x 27" (68.6cm) W x 23" (58.4cm) D



Univex Corporation
www.Univexcorp.com

3 Old Rockingham Rd
Salem, NH 03079
United States of America

TEL: (800)258-6358
INTL TEL: (603)893-6191
FAX: (800)356-5614
INTL FAX: (603)893-1249