
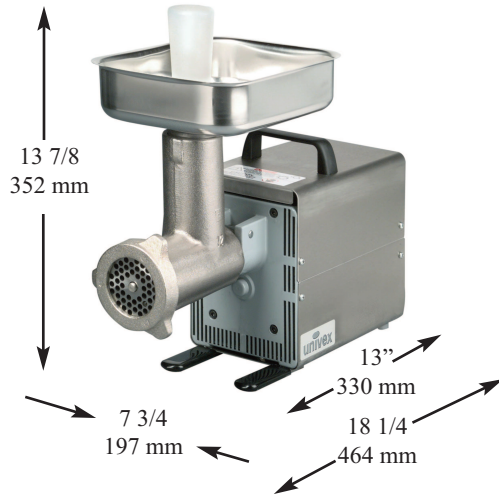


Project		Item Number	Quantity
MG0012	Duty Level		
	Light	Medium	Heavy
Meat & Food Grinder	MG0012		
	Meat & Food Grinder		
Univex Corporation	<p>Models: MG0012: 1/2hp Meat Grinder</p> 		
	<p>Features</p> <ul style="list-style-type: none"> • Light duty meat & food grinder. • Grinds 4 to 6 lbs. per. minute on 1st Grind with a 3/16" plate. • 1/2 hp motor. • Gear driven. • Compact and portable. Unit only weighs 28 lbs. • Perfect for small schools, nursing homes, and restaurants. • Comes ready to grind with a 3/16" grind plate, x-knife, stainless steel feed pan and poly stomper. • Cord and plug 	<p>Standard Accessories</p> <ul style="list-style-type: none"> • Stainless steel feed pan • Poly stomper • 3/16" grind plate • X-knife 	<p>Optional Accessories</p> <ul style="list-style-type: none"> 1000508 1/8" grind plate 1000509 3/16" grind plate 1000510 1/4" grind plate 1000511 3/8" grind plate 1000512 1/2" grind plate 1000506 X-knife 1000513 1/2" stuffing tube 1000514 3/4" stuffing tube 1000450 Small plastic cover
<p>Warranty</p> <ul style="list-style-type: none"> • 6-month, carry-in parts & labor warranty 			
<p>WARRANTY DETAILS The MG0012 meat grinder carries a six-month, carry-in parts and labor warranty against any flaws in materials and workmanship. This period begins on the date of purchase and, provided the unit is used in accordance with our instructions, is in full effect for six-months from that date. Any work performed under this warranty must be performed between the hours of 8:00 a.m. and 5:00 p.m. local time, Monday through Friday. Univex will not pay for overtime charges for work performed other than during normal business hours. Damage incurred in transit or from installation error, accident, alteration or misuse is not covered. Univex shall not be liable for any consequential, compensatory, incidental, or special damages. Contact the Univex service department for any warranty claims.</p>			
<p>Univex Corporation www. Univexcorp.com</p>		<p>3 Old Rockingham Rd Salem, NH 03079 USA Telephone (800) 258-6358 Fax: (800) 356-5614 Intl Tel. (603) 893-6191 Int'l Fax: (603) 893-1249</p>	

Meat & Food Grinder

MG0012



Dimensions:

Overall width	7 3/4" (197mm)
Body length	13" (330mm)
Overall length	18 1/4" (464mm)
Overall height	13 7/8" (352mm)

Shipping Information:

Freight Class:	85
Net Weight:	28 lb. (13Kg)
Shipping Weight:	32 lb. (14.5Kg)
Shipping Box Dimensions:	
Height:	13" (330mm)
Width:	14" (356mm)
Length:	18" (457mm)

Electrical:

115V,60HZ,1PH
Also available at no additional cost:
208-240V,60HZ,1PH
240V,50HZ,1PH,

Motor: 1/2 HP capacitor start.
3360 RPM

Drive: 24:1 reduction produces high torque through a rugged gear box. 140 RPM drive shaft.

Drive Assembly: Completely enclosed in a 20 gauge stainless steel cover with an aluminum front panel.

Switch: Toggle type double pole on/off conveniently located on the left side of the machine.

Meat Grinder: Electroless nickel plated cast iron housing with a No. 12 knife and plate. All parts are easy to remove for cleaning.

Feed Pan: 3 quart (2.8 liters) capacity
7 3/4" x 10" x 2 1/4" (197 x 254 x 57mm)
stainless steel.

Feed Stomper: 9" x 2 (230 x 50mm) plastic.

Capacity: 4 to 6 lbs. (2 to 3 kg) per minute on first grind using a plate with 3/16" (4mm) holes.

Optional Accessories:

The following are available at an extra cost

1000508 1/8" Grind Plate

1000509 3/16" Grind Plate

1000510 1/4" Grind Plate

1000511 3/8" Grind Plate

1000512 1/2" Grind Plate

1000506 X-knife

1000513 1/2" Stuffing Tube

1000514 3/4" Stuffing Tube

1000450 Cover: Heavy-duty clear plastic cover.