

Project _____

Item Number _____

Quantity _____

Reversible Bench Top Dough Sheeter

SFG500B



Model:

➤ SFG500B: Bench Model



Dough Sheeter

Features:

- Reversible bench top dough sheeter
- 0 to 1.9" (4.8cm) adjustable cylinder, separation changes dough thickness
- Hard chrome polished cylinders
- Tables fold upright for storage and movement
- Powerful 3/4 hp motor
- Sheets dough onto rolling pins to allow for transport of rolled dough to work area
- Interlock switches protect operator from injury if safety guard is opened
- Pivoting and removable arms

Standard Accessories:

- Heavy duty rolling pins
- Designated area for flour storage for use while sheeting

Univex Corporation

Warranty:

- One year, on-site parts and labor

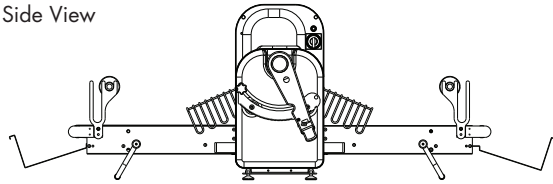


WE RAISE THE BAR. WE SET THE STANDARD.

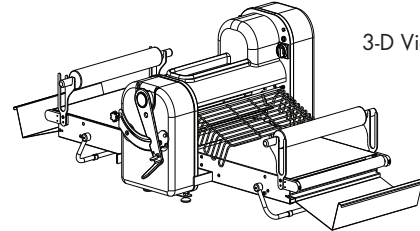
Reversible Bench Top Dough Sheeter

SFG500B

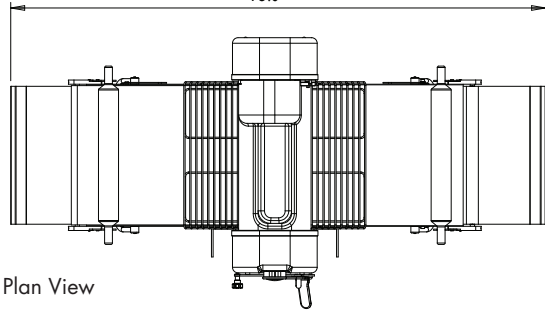
Side View



3-D View

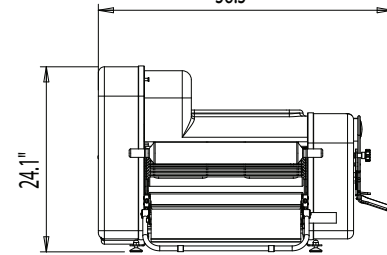


75.6"



Plan View

38.3"



Floor View

Other Dimensions

Base Length	Belt Width	Length Folded	Height Folded	Carpet Length	Leg Width
11 7/8" (30cm)	19 3/4" (50cm)	29 5/8" (75cm)	32 1/2" (82.5cm)	27 5/8" (70cm)	44 7/8" (113.8cm)

Controls: Main power switch, emergency stop switch and direction control lever for forward and reverse table directions.
Manually adjustable space between rolling cylinders adjusts in increments from 0" to 1.9" (0 to 4.8cm)

Drive: Chain drive

Optional Voltages:

220/60/1
115/60/1
115/60/3

NEMA #: L-15-20

Electrical Information (60Hz)

Standard Voltage	Phase	hp(kW)	Amps
220	3	0.75 (0.55)	2.60-7.35

Shipping Information

Net Weight	Shipping Weight	Overall Dimensions
312 lbs. (142Kg)	423 lbs. (192Kg)	36" (91.4cm) H x 52" (132.1cm) W x 35" (88.9cm) D



Univex Corporation
www.Univexcorp.com

3 Old Rockingham Rd
Salem, NH 03079
United States of America

TEL: (800)258-6358
INTL TEL: (603)893-6191
FAX: (800)356-5614
INTL FAX: (603)893-1249