



WE RAISE THE BAR. WE SET THE STANDARD.

Project \_\_\_\_\_

Item Number \_\_\_\_\_

Quantity \_\_\_\_\_

SL50/SL80/SL120



## SL50 / SL80 / SL120 SILVERLINE Spiral Mixers

### Models:

- SL50: 70 QUART (68 LITER) SPIRAL MIXER
- SL80: 135 QUART (130 LITER) SPIRAL MIXER
- SL120: 180 QUART (170 LITER) SPIRAL MIXER

Spiral Mixer

### Features:

- Stainless steel bowl, spiral dough hook, and shaft
- Separate bowl and agitator motors
- Has two speeds and reverse function
- Control board has separate timers for 1st and 2nd speed
- Mixer is equipped with built in castors and leveling feet for easy positioning and set-up
- Safety switches protect operator from injury if bowl lid is open
- Powerful belt drive provides low vibration, low noise, and economical maintenance for years of reliable service



Univex Corporation

### Dough Capacity:

**SL50:** 110lb (50kg)  
**SL80:** 176lb (80kg)  
**SL120:** 265lb (120kg)

### Dough hook:

1st speed: 95 rpm  
 2nd speed: 190 rpm

**Bowl:**  
 20 rpm

### Standard Accessories:

- Stainless steel bowl
- Stainless steel dough hook

### Warranty:

- One year, on-site parts and labor



**Univex Corporation**  
[www.Univexcorp.com](http://www.Univexcorp.com)

3 Old Rockingham Rd  
 Salem, NH 03079  
 United States of America

TEL: (800)258-6358  
 INTL TEL: (603)893-6191  
 FAX: (800)356-5614  
 INTL FAX: (603)893-1249



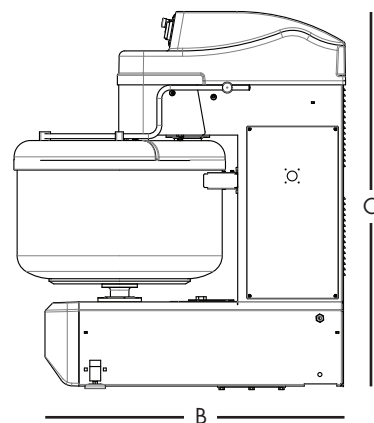
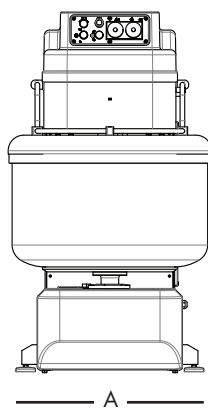
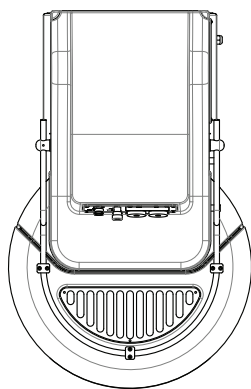
WE RAISE THE BAR. WE SET THE STANDARD.

# SILVERLINE Spiral Mixer

# SL50 / SL80 / SL120

Line drawing is the SL120

|   | SL50          | SL80          | SL120         |
|---|---------------|---------------|---------------|
| A | 21.4" (55cm)  | 27.6" (70cm)  | 30.7" (78cm)  |
| B | 34.3" (88cm)  | 44.1" (112cm) | 53.9" (137cm) |
| C | 46.6" (119cm) | 49.2" (125cm) | 57.1" (145cm) |



## Electrical Information

| Model | Voltage | Phase | Spiral hp(kW)        | Bowl hp(kW) | Total hp(kW) | Spiral Amps | Bowl Amps | Total Amps |
|-------|---------|-------|----------------------|-------------|--------------|-------------|-----------|------------|
| SL50  | 208-240 | 3     | 2.5/3.5<br>(1.9/2.6) | .75 (.55)   | 4.25 (3.15)  | 6.25        | 1.3       | 7.5        |
| SL50  | 208     | 1     | 2.5/3.5<br>(1.9/2.6) | .75 (.55)   | 4.25 (3.15)  | 12.5        | 2.65      | 15.15      |
| SL80  | 208-240 | 3     | 3.5/6<br>(2.6/4.5)   | .75 (.55)   | 6.75 (5.05)  | 24.6        | 2.65      | 27.25      |
| SL120 | 208-240 | 3     | 6/8.3<br>(4.4/6.1)   | 1 (.75)     | 9.3 (6.85)   | 28          | 3.68      | 31.68      |

NEMA #:

SL50: L15-20-P  
SL80: L16-30-P  
SL120: Hard Wire  
With Shutoff

**Transmission:** Heavy duty low noise and low vibration belt drive.

**Controls:** Control panel with digital timers. Separate timers for high and low speed. Security key for manual use. Bowl reverse direction switch.

**Bowl Guard:** Swings open for full access to bowl. Guard must be closed for mixer operation.

## Shipping Information

| Model | Net Weight         | Shipping Weight    | Overall Dimensions                               |
|-------|--------------------|--------------------|--|
| SL50  | 474 lbs. (215Kg)   | 548 lbs. (265Kg)   | 59" (150cm) H x 31" (78.7cm) W x 40" (101.6cm) D |
| SL80  | 728 lbs. (330Kg)   | 838 lbs. (380Kg)   | 67" (170cm) H x 31" (80cm) W x 50" (126cm) D     |
| SL120 | 1,080 lbs. (490Kg) | 1,190 lbs. (540Kg) | 67.3" (171cm) H x 33" (83cm) W x 53" (135cm) D   |

\*The weight and dimensions of the pallet are included in the weight and dimensions above.



Univex Corporation  
www.Univexcorp.com

3 Old Rockingham Rd  
Salem, NH 03079  
United States of America

TEL: (800)258-6358  
INTL TEL: (603)893-6191  
FAX: (800)356-5614  
INTL FAX: (603)893-1249