

Project _____

Item Number _____

Quantity _____

T50



Vertical Dough Sheeter

Model:

➤ T50: Bench Model

Dough Sheeter

Features:

- Vertical dough sheeter
- 0 to .71" (1.8cm) adjustable cylinder, separation changes dough thickness
- 20" (50cm) max dough width
- Hard chrome polished cylinders
- Tables fold upright for storage and movement
- Powerful 1/2 hp motor
- Sheets dough onto rolling pins to allow for transport of rolled dough to work area
- Interlock switches protect operator from injury if safety guard is opened



Standard Accessories:

- Heavy duty rolling pins

Univex Corporation

Warranty:

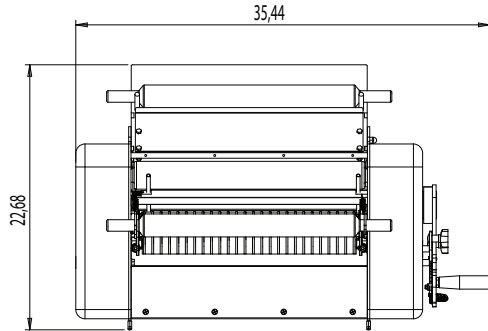
- One year, on-site parts and labor



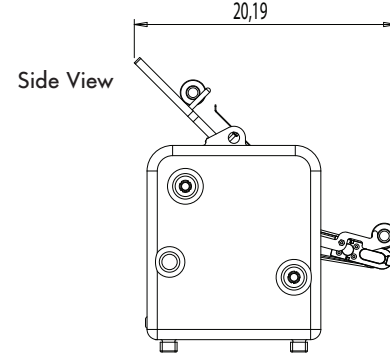
WE RAISE THE BAR. WE SET THE STANDARD.

Vertical Dough Sheeter

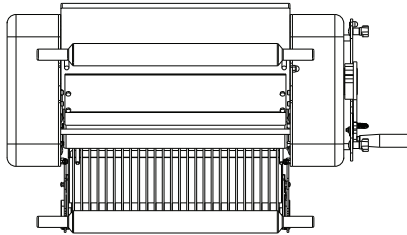
T50



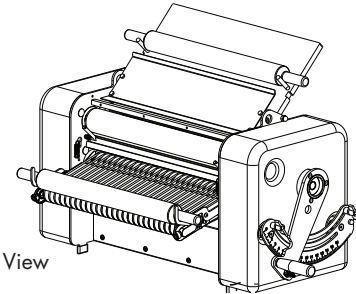
Floor View



Side View



Plan View



3-D View

Controls: Main power switch, emergency stop switch and push button on/off buttons. Manually adjustable space between rolling cylinders adjusts in increments from 0" to .71" (0 to 1.8cm)

Drive: Belt drive

NEMA #: 5-15-P

Electrical Information (60Hz)			
Voltage	Phase	Amps	hp(kW)
115	1	7.40	.5(.35)

Shipping Information		
Net Weight	Shipping Weight	Overall Dimensions
132 lbs. (60Kg)	243 lbs. (110Kg)	33" (83.8cm) H x 73" (185.4cm) W x 39" (99.1cm) D



Univex Corporation
www.Univexcorp.com

3 Old Rockingham Rd
Salem, NH 03079
United States of America

INTL TEL: (800)258-6358
TEL: (603)893-6191
INTL FAX: (800)356-5614
FAX: (603)893-1249