

dyson airblade

AB
02

The fastest, most hygienic hand dryer.

Electrical:

Input voltage: 110-120V AC, single phase 60 Hz
 Rated power: 1400W, 12.0A
 Motor type: Dyson Digital Motor. switched reluctance brushless
 Motor speed: 81,000 rpm
 Heater type: None
 Standby power consumption: 1w
 Energy consumption per dry: .00468kwh

Construction:

Die-cast aluminum casing with anti-microbial scuff resistant lacquer coating on exterior surfaces
 Color finish: Metallic silver, gloss lacquer
 Anti-microbially integrated external plastics and seals
 Pressed anti-rust steel backplate
 Tamper-proof T30 type exterior screws
 Water ingress protection to IPX5

Filtration:

HEPA filter with anti-microbial coating
 99.97% particulate efficiency <99.9% bacteria removal.

Operation:

Touch-free infra-red activation
 Hand dry time: 12 seconds
(measured to method defined in National Sanitation Foundation protocol P335)
 Airspeed at nozzle: 400mph
 Operating airflow: 68cfm
 Rated operating noise power: 84db(A)

Logistics:

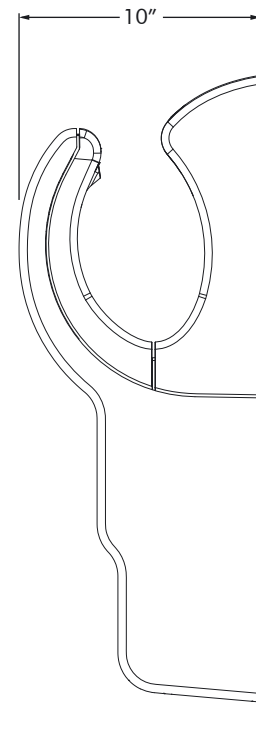
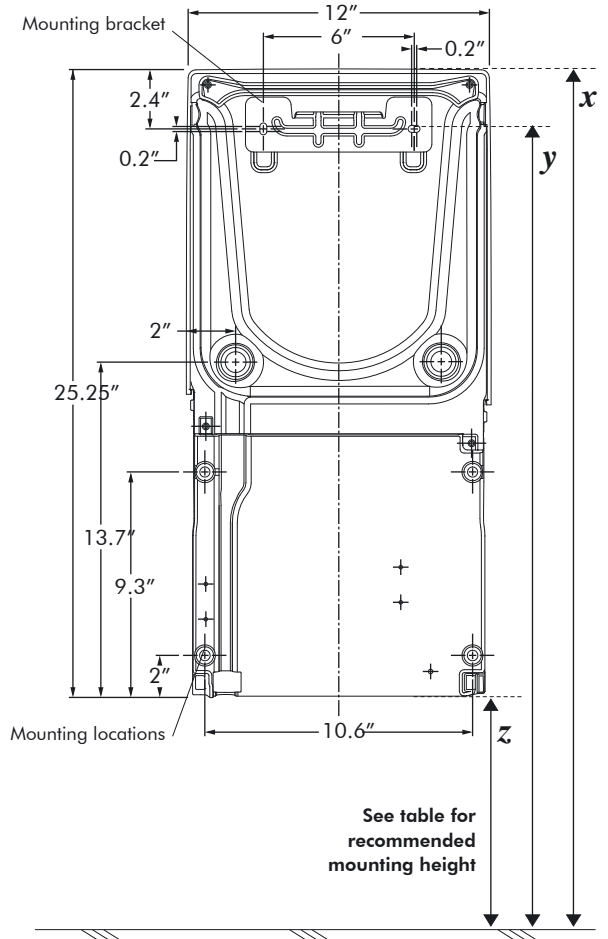
Single unit order code: 13043-01
 Unit weight: 32lb
 Packaged weight: 39lb
 Packaged dimensions: 29.1" x 14.3" x 12.2"
 Pallet Count: 13
 Pallet Type: US
 Unit Barcode: 879957001275

Standard warranty:

5 year parts, 1 year labor limited

Product Certification

ETL listed in accordance with UL507



Recommended height from floor	Male	Female	Child/Disabled
x To top of machine	41.25"	38.25"	34.25"
y To mounting bracket screw	39"	36"	32"
z To bottom of machine	16"	13"	9"



TESTED. CERTIFIED. HYGIENIC.