

# Slicers

## Heavy Duty Premium Slicers



**GS-12M (Manual)**



**GS-12A (Automatic)**

### ≡ FEATURES / BENEFITS ≡

- **1/2 HP KNIFE MOTOR**  
Powerful 1/2HP knife motor assures peak performance when slicing the toughest products.
- **1/8 HP POWERFUL CHUTE MOTOR**  
Powerful torque chute drive motor provides a clean cut on tough products (GS-12A).
- **POWERFUL GEAR DRIVEN KNIFE MOTOR**  
German Knife's heavy duty gear drive system provides years of maintenance free reliability without down time. No belts to slip or break.
- **HALF-PERMANENTLY LUBRICATED WORM GEARS**  
Worm gears are made of Nytratron that is self-lubricated plastic made in Germany for high speed equipment.
- **ELECTRONIC CONTROL PANEL**  
Variable 9 speeds chute drive from 20 to 60 strokes per minute (GS-12A).
- **SELF-DIAGNOSIS FUNCTION (GS-12A ONLY)**
- **STAINLESS STEEL RECEIVING PLATE**
- **STAINLESS STEEL FOR FOOD ZONE**  
Stainless steel food contact zone provides easy to clean surfaces and won't chip or peel.
- **OIL LUBRICATION SYSTEM ON TOP AND BOTTOM SLIDE SHAFT**  
Oil lubrication system on top and bottom slide shaft provide smooth sliding for the chute compared with competing brands.
- **ERGONOMIC STYLE CHUTE HANDLE**  
Comfortable and stable ergonomic style grip on the chute handle provides easy glide manual operation.
- **KNIFE BLADE**  
Knife made in Germany holds the cutting edge longer requires less sharpenings, resists corrosion and provides precise and more uniform cuts.
- **HEAVY STAINLESS STEEL END WEIGHT**  
Heavy end weight lets you slice tiny pieces to the end and eliminates waste.
- **OPERATOR SIDE END WEIGHT ROD**  
By placing the weight rod on the operator side of the chute, the product is held tighter for slicing.
- **TOP MOUNT KNIFE SHARPENER**
- **SAFE KNIFE CLEANING**  
German Knife heavy duty slicers are equipped with a permanently attached knife ring guard and interlock knife cover.
- **SLICE THICKNESS ADJUSTMENT**  
Precise slice thickness adjustment let you slice from tissue thin to 1" thick.

# GS-12M / GS-12A SPECIFICATIONS

MODEL	GS-12M	GS-12A	
DIMENSION	Foot Print	17.8"x22.4"	17.8"x22.4"
	Overall Width	25.6"	25.6"
	Overall Depth	23.4"	23.4"
	Overall Height W/Feet	23.6"	27.4"
MOTOR	Knife Motor	1/2HP·1ph·AC115V·60Hz(GS-12A) 1/2HP·1ph·AC115V·60Hz(GS-12M)	
	Chute Motor	1/8HP·90W·DC·AC115V(GS-12A)	
Speed	Max 60 slices/min		
Diameter of Knife	12"	12"	
Slices Thickness	tissue thin~1" thick		
Net Weight	130lbs	173lbs	
Shipping Weight	177lbs	220lbs	
Box Dimensions(LxDxH)	29.5"x28.3"x27.5"	29.5"x28.3"x31.5"	

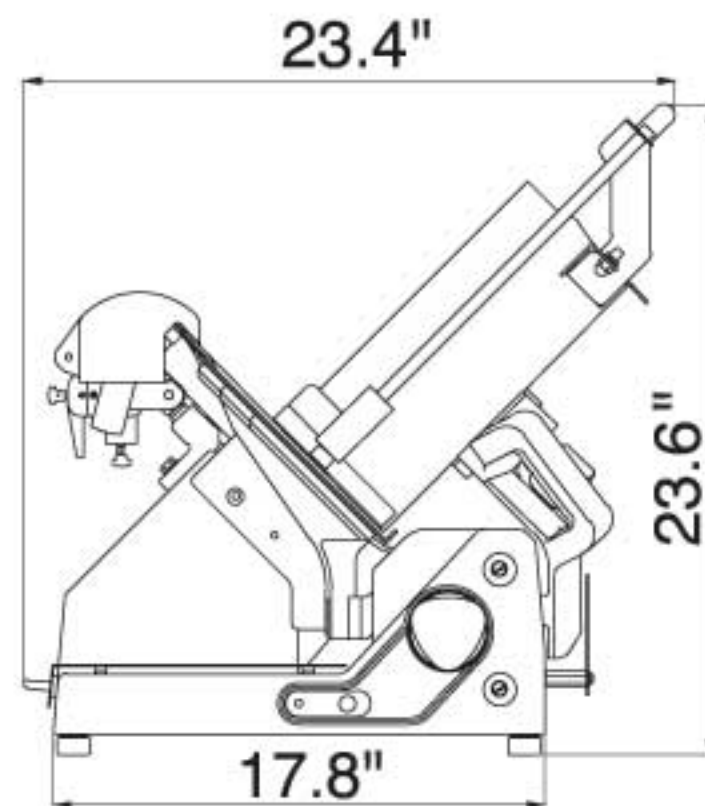
\*Design and specifications subject to change without notice.

■ **VEGETABLE HOPPER AVAILABLE**

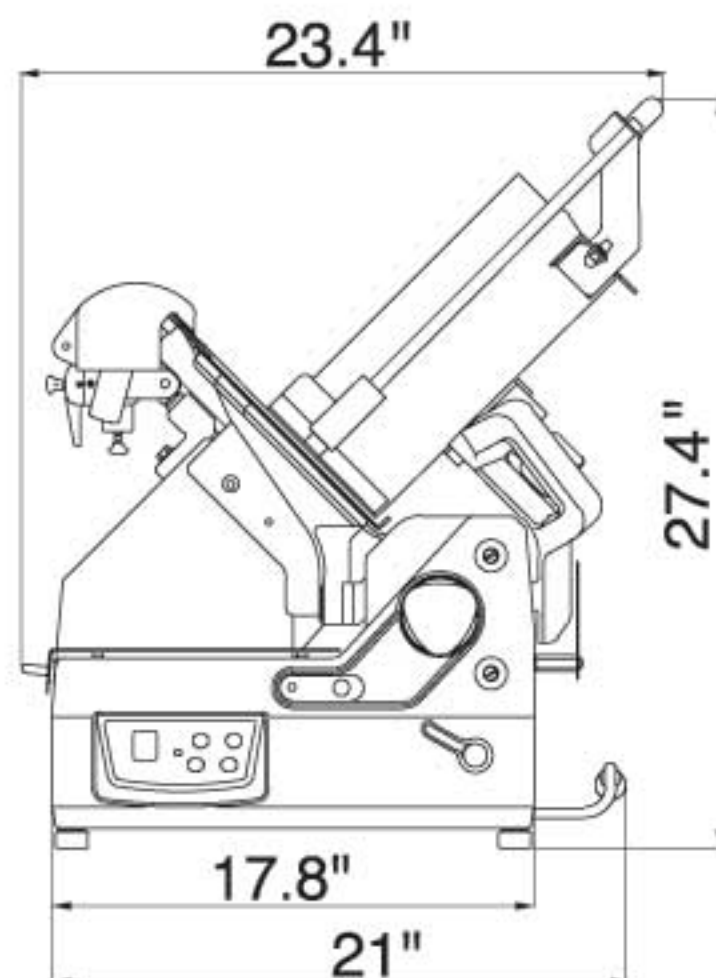
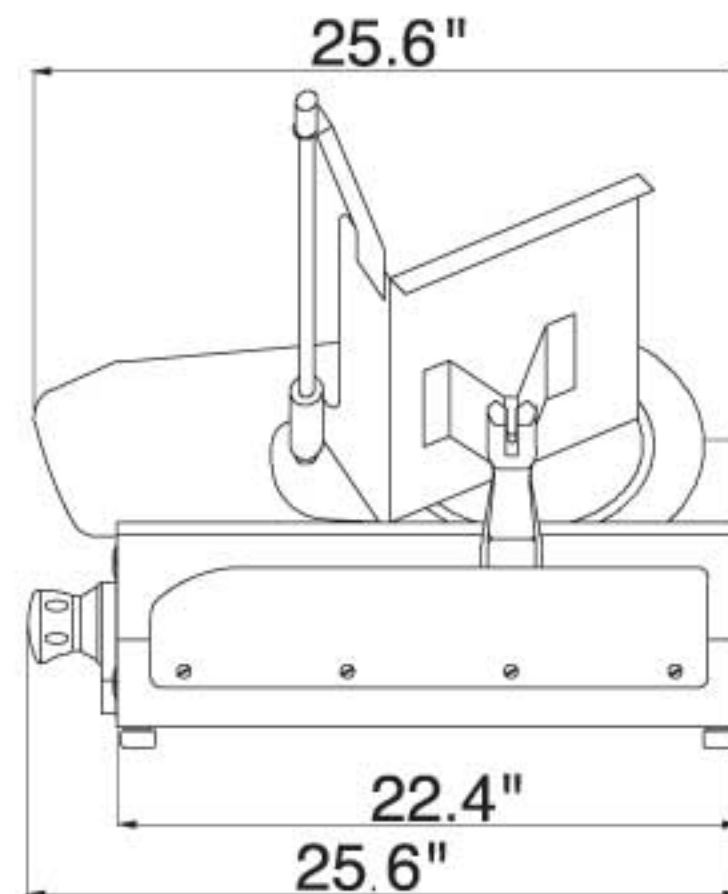
■ **WARRANTY : 2 Years Labor and Parts Warranty**



(unit : inch)



GS-12M VIEW (Manual)



GS-12A VIEW (Automatic)

