

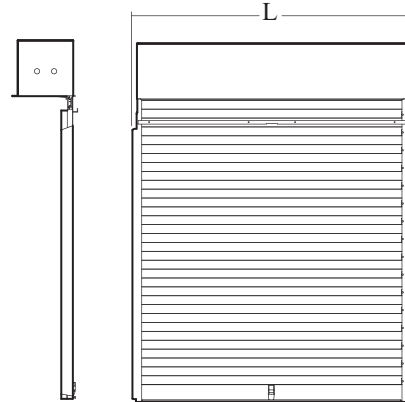
REFRIGERATOR MANUFACTURER
Turbo air
 more durable, efficient, beautiful

4184 E. Conant St.
 Long Beach, CA 90808
 Tel. 310-900-1000
 Fax. 310-900-1077
www.turboairinc.com

Project :	
Model # :	
Item # :	Qty :
Available W/H :	
Approval :	

Security Cover for TOM

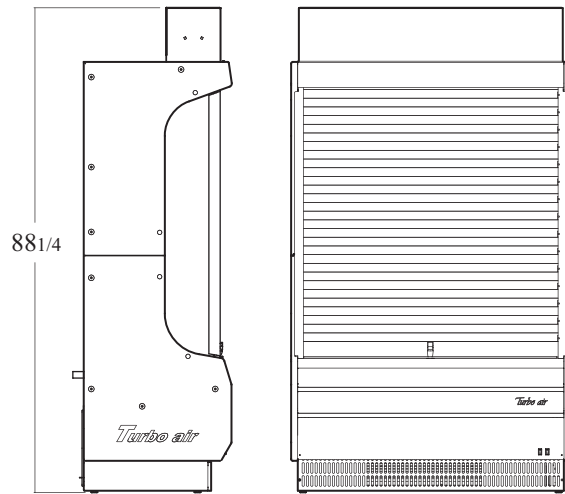
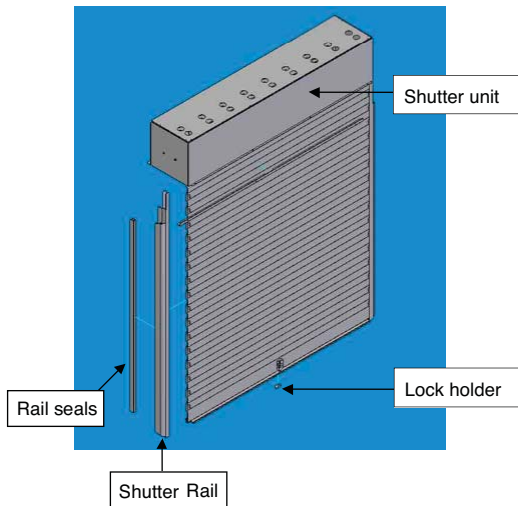
Open Display Merchandisers
 Security Covers



SIDE VIEW

FRONT VIEW

SC-(B) Plan View



SIDE VIEW

FRONT VIEW

Covered TOM

Model	Dimension (L x D x H)	Crated Dimension (L x D x H)	Crated Weight (lbs.)
SCM-40(B)	36 1/2 x 11 1/4 x 10	61 7/8 x 16 1/2 x 14 1/2	85
SCM-50(B)	48 x 11 1/4 x 10	61 7/8 x 16 1/2 x 14 1/2	95