

**REFRIGERATOR MANUFACTURER**  
**Turbo air**  
 more durable, convenient, beautiful

1250 Victoria St  
 Carson, CA 90746  
 Tel. 310-900-1000  
 Fax. 310-900-1077  
[www.turboairinc.com](http://www.turboairinc.com)

Project :	
Model # :	
Item # :	Qty :
Available W/H :	
Approval :	

# Glass Door Merchandiser

Glass Door Merchandisers  
 Super Deluxe Series

**Model : TGM-23SD**

## ≡ FEATURES / BENEFITS ≡

■ **HOT GAS CONDENSATE SYSTEM**

Through Turbo Air's creative innovation, the condensate system surfaces have been specially treated to resist corrosion. This not only increases efficiency without the risk of refrigerant leakage from corrosion, but also prevents the overflow of condensate water.

■ **ENERGY CONSERVING FAN CONTROL**

Utilizing algorithmic air circulation for optimal temperature levels, our innovative fan control system conserves energy by at least 15% and increases compressor life by up to 30%.

■ **LED LIGHTING INTERIOR DISPLAY SYSTEM**

Brighter and longer lasting LED lights provide attractive, enhanced illumination compared to fluorescents. It saves energy by producing less heat, while maximizing the visibility in the display area.

■ **SHADOW FREE ADVERTISING PANEL**

Turbo Air is the pioneer in the refrigerator industry on applying special LED Light Guided Panels (LGP). LGP increases panel visibility and eliminates shadows, thus enhances any store atmosphere with eye-catching effects. LED lighting offers 10 times longer lasting life than fluorescents and conserves energy as well.

■ **MODERN DESIGN**

By harmonizing curvature and rigidity, our modern style product designs are user-friendly while maintaining the highest product visibility and aesthetics.

■ **DOOR OPENING ALARM**

If the doors are not tightly closed, the refrigerator will not run. This would cause the cold air to escape through the opening, making food products spoil inside the cabinet. To prevent this problem, our refrigerators are equipped with the Door Alarm System that will sound if the doors are left open for more than 30 seconds.

■ **EARLY WARNING SYSTEM**

Malfunctions are generally recognized when an increase in temperature is detected, 2 to 3 hours after the refrigerator had stopped running. This causes the user to become aware of malfunction issues the next morning in which the contents may have already spoiled. To eliminate this, Turbo Air units have a warning system in place that diagnose and monitor itself for risk factors, which gives early warning signals to allow for preserving contents and for preventing future problems.

■ **TRIPLE PANE AIR INSULATED LAYER GLASS DOORS**

Equipped with unique triple pane glass doors with a layer of patented, transparent thermal insulating film applied between the glass layers. Lightweight door construction reduces door maintenance and roller/bushing wear, and facilitates smooth door opening.

■ **DIGITAL TEMPERATURE CONTROL SYSTEM**

Digital technology provides precise and constant temperatures throughout the cabinet. This allows food products to remain fresh over an extended period of time.

**EXCEPTIONAL 3 YEAR  
 PARTS & LABOR WARRANTY**




**REFRIGERATOR HOLDS 33°F ~ 38°F FOR  
 THE BEST IN BEVERAGE PRESERVATION**



Model	Swing Door	CU./FT.	#of Shelves	HP	AMPS	Crated Weight (lbs.)	L x D* x H† (inches)
<b>TGM-23SD</b>	<b>1</b>	<b>21.1</b>	<b>4</b>	<b>1/4</b>	<b>6.0</b>	<b>332</b>	<b>27 x 30 1/4 x 77</b>

## Model : TGM-23SD

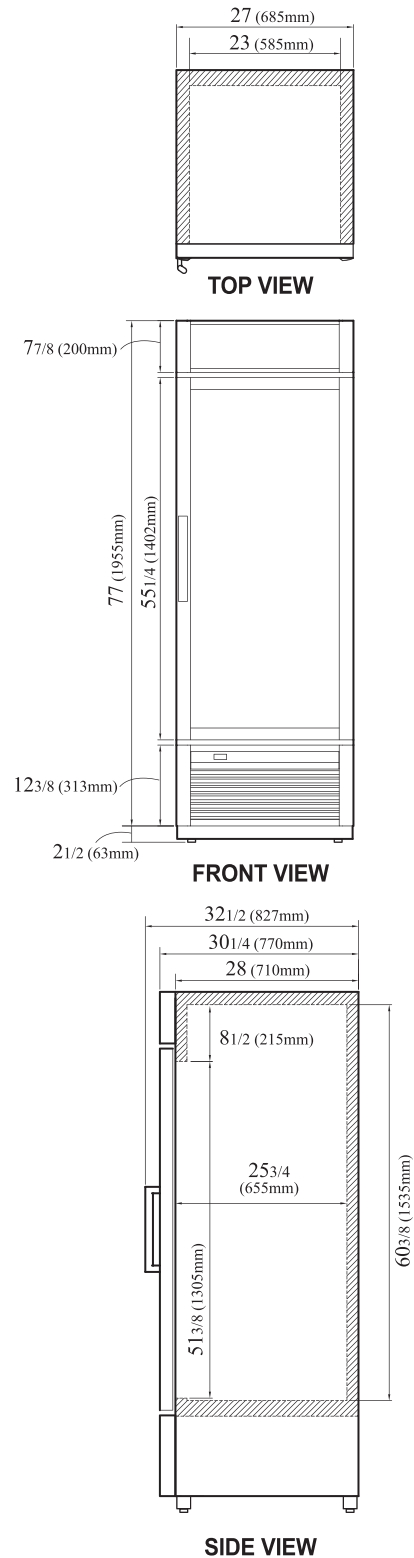
ELECTRICAL DATA	
Voltage	115/60/1
Plug Type	 NEMA-5-15P
Full Load Amperes	6.0
Compressor HP	1/4
Cord Length ft.	7
Refrigerant	R-134A
DIMENSIONAL DATA	
# of Doors	1
Net Capacity cu. ft.	21.1
Ext. Length Overall in.	27 (685mm)
Ext. Depth Overall in.*	30 1/4 (770mm)
Ext. Height Overall in.†	77 (1955mm)
Int. Length Overall in.	23 (585mm)
Int. Depth Overall in.	25 3/4 (655mm)
Int. Height Overall in.	60 3/8 (1535mm)
Gross Weight lbs.	332
Net Weight lbs.	310
# of Shelves	4
Shelf Size (LxD) in.	21 3/4 x 22 1/2

Design and specifications subject to change without notice.  
Actual shipping weight may differ due to extra packing materials for product protection.  
\* Depth does not include 2-1/4" (57mm) for door handle.  
† Height does not include 2-1/2" (63mm) for leg height.

- **WARRANTY :** Exceptional 3 Year Parts and Labor Warranty  
Additional 2 Year Warranty on Compressor
- **SOUND SYSTEM STANDARD**  
plays music and recorded greeting when customer opens the doors.
- **DOOR LOCKING SYSTEM STANDARD**
- **PRICE TAG ATTACHABLE SHELF AVAILABLE (OPTIONAL)**
- **THREE COLOR OPTIONS AVAILABLE**
  - Black Cabinet
  - White Cabinet
  - White Cabinet with Wine Color Trim

## PLAN VIEW

(unit : inch)



Ver.201301



ENERGY STAR®  
Qualified

- Turbo Air : 800-627-0032
- GK : 800-500-3519
- Warranty : 800-381-7770
- AC : 888-900-1002