

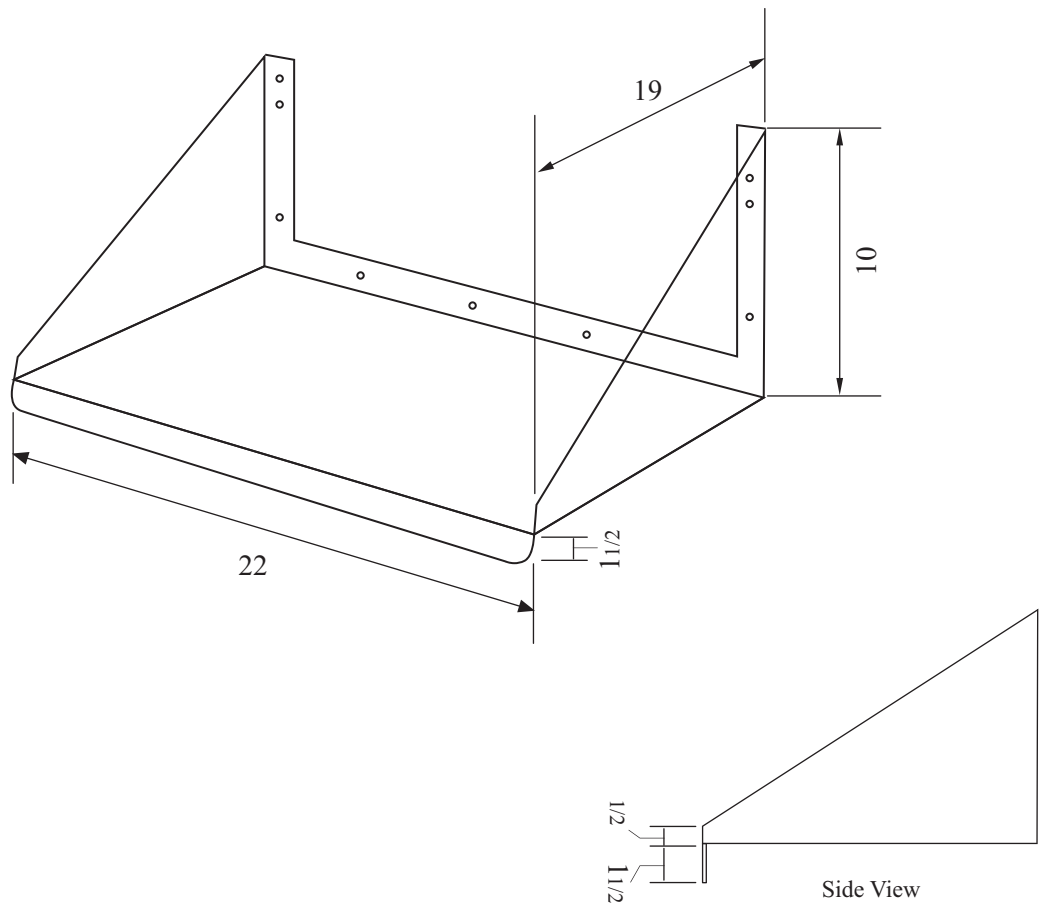
Project :	
Model # :	
Item # :	Qty :
Available W/H :	
Approval :	

Microwave Shelf

Model : TMWS-1922

- WALL MOUNT TYPE MICROWAVE SHELF
- ALLOWS YOU TO GET MORE COUNTER SPACE
- HEAVY GAUGE (18 GA.) 304 STAINLESS STEEL

(unit : inch)



Model	Length	Height	Depth	Weight(lbs.)
TMWS-1922	22	10	19	10