



4184 E. Conant St.  
 Long Beach, CA 90808  
 Tel. 800-500-3519  
 Fax. 310-900-1066  
 www.turboairinc.com

Project :

Model # :

Item # :

Qty :

Available W/H :

Approval :

## Compartment Sinks (Two Drain Boards)

**HIGH QUALITY 304 STAINLESS STEEL**

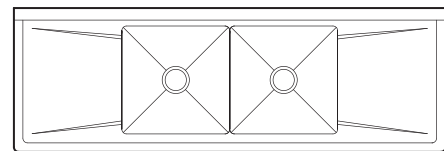
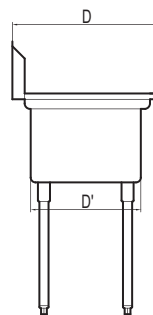
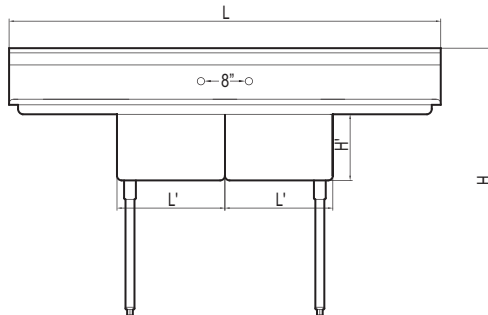


\* Faucet sold separately

**Model : TSA-2-12-D1**  
**TSA-2-14-D2**  
**TSA-2-D1**  
**TSB-2-D2**  
**TSC-2-D2**

### FEATURES & BENEFITS

- Entire assembly is fused, shielded and polished providing a one-piece seamless sink unit
- Welded areas are high-speed belt blended to match adjacent surfaces with the continuity of a satin finish
- All sink compartments are covered on a full 5/8" radius and constructed using state of the art seamless welding techniques
- Die-stamped creased drain boards for positive drainage
- Swirl away bowl drainage
- Galvanized legs and gussets are standard on all models
- Our strainers are built with brass nuts instead of aluminum (standard)
- Adjustable ABS bullet feet
- Crating service available
- Stainless steel legs available (optional)



(unit : inch)

Model	Ga.	Bowl Size (L' x D' x H') (in.)	Length (in.)	Depth (in.)	Height (in.)	# of Faucet Accepted	Net Weight* (lbs.)
TSA-2-12-D1	18	18 x 18 x 12	72	24	44 1/2	1	66
TSA-2-14-D2	18	18 x 18 x 14	84	24	44 1/2	1	73
TSA-2-D1	18	18 x 18 x 11	72	24	44 1/2	1	63
TSB-2-D2	16	24 x 24 x 14	96	30	44 1/2	1	123
TSC-2-D2	18	18 x 21 x 14	84	27	44 1/2	1	117