



4184 E. Conant St.
 Long Beach, CA 90808
 Tel. 800-500-3519
 Fax. 310-900-1066
 www.turboairinc.com

Project :

Model # :

Item # :

Qty :

Available W/H :

Approval :

Compartment Sinks (One Drain Board)

HIGH QUALITY 304 STAINLESS STEEL

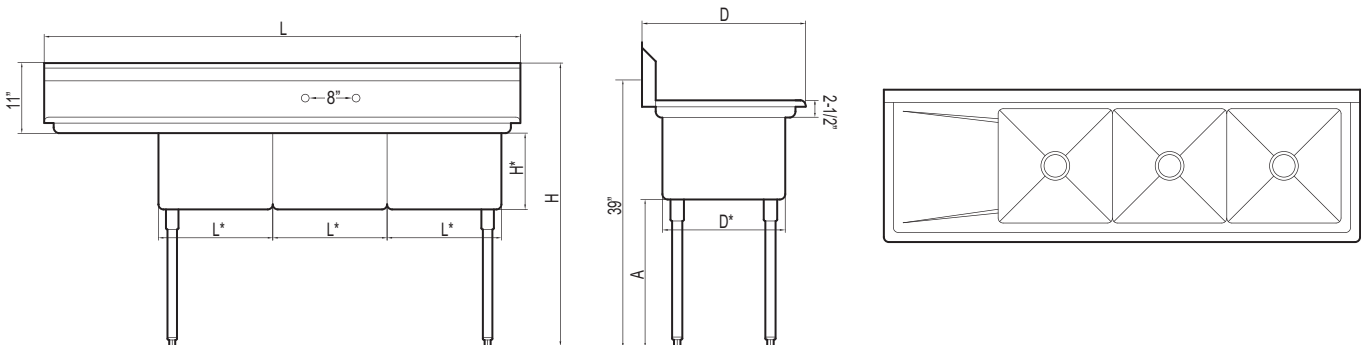
**Model : TSA-3-12-L1
 TSA-3-L1 / TSB-3-L2**



* Faucet sold separately

≡ FEATURES & BENEFITS ≡

- Entire assembly is fused, shielded and polished providing a one-piece seamless sink unit
- Welded areas are high-speed belt blended to match adjacent surfaces with the continuity of a satin finish
- All sink compartments are covered on a full 5/8" radius and constructed using state of the art seamless welding techniques
- Die-stamped creased drain boards for positive drainage
- Swirl away bowl drainage
- Galvanized legs and gussets are standard on all models
- Our strainers are built with brass nuts instead of aluminum (standard)
- Adjustable ABS bullet feet
- Crating service available
- Stainless steel legs available (optional)



(unit : inch)

| Model | Ga. | Bowl Size (L* x D* x H*) | Length | Depth | Height | Leg(A) | # of Faucet Accepted | Net Weight* (lbs.) |
|-------------|-----|--------------------------|--------|-------|--------|--------|----------------------|--------------------|
| TSA-3-12-L1 | 18 | 18 x 18 x 12 | 75 | 24 | 44 1/2 | 21 1/2 | 1 | 77 |
| TSA-3-L1 | 18 | 18 x 18 x 11 | 75 | 24 | 44 1/2 | 22 1/2 | 1 | 75 |
| TSB-3-L2 | 16 | 24 x 24 x 14 | 99 | 30 | 44 1/2 | 19 1/2 | 2 | 147 |