

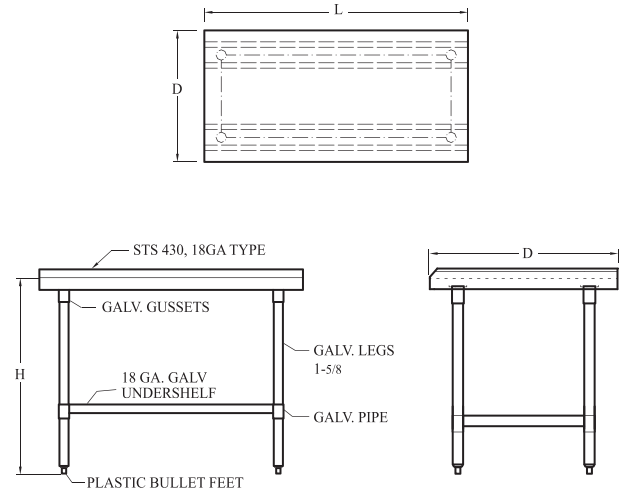


4184 E. Conant St.  
 Long Beach, CA 90808  
 Tel. 800-500-3519  
 Fax. 310-900-1066  
 www.turboairinc.com

Project :	
Model # :	
Item # :	Qty :
Available W/H :	
Approval :	

# Equipment Stands

**Model : TSE-**



## ≡ FEATURES & BENEFITS ≡

- Easy to assemble
- All edges are finished to provide safety
- H/L finished stainless steel top
- Top reinforced with welded "hat" channel frame
- Sound-deadening tape between channel frame and top
- Gussets are recessed into channel frame to prevent lateral movement
- Galvanized legs, under shelf and gussets are standard on all models
- Adjustable ABS bullet feet, 1-1/2" ledge on side and back

(unit : inch)

Model*	Ga.	L	D	H	Net Weight <sup>†</sup>	Shipping Weight <sup>†</sup>
TSE-3012	18	12	30 1/4	24	25	28
TSE-3018	18	18	30 1/4	24	31	33
TSE-3024	18	24	30 1/4	24	36	40
TSE-3036	18	36	30 1/4	24	47	50
TSE-3048	18	48	30 1/4	24	58	62
TSE-3060	18	60	30 1/4	24	69	75
TSE-3072	18	72	30 1/4	24	86	92