



4184 E. Conant St.  
 Long Beach, CA 90808  
 Tel. 800-500-3519  
 Fax. 310-900-1066  
 www.turboairinc.com

Project :

Model # :

Item # :

Qty :

Available W/H :

Approval :

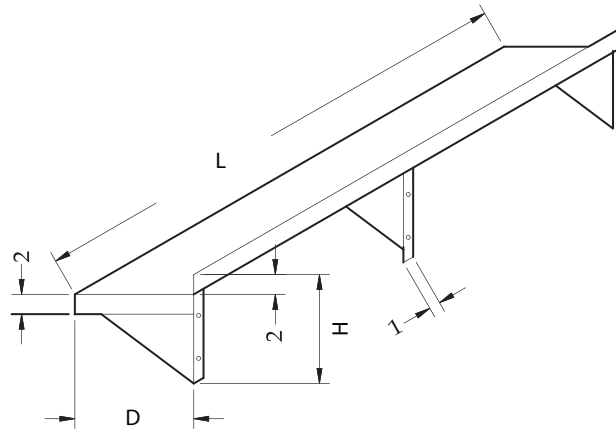
## Wall Shelves

**HIGH QUALITY 304 STAINLESS STEEL**

**Model : TSWS-**

### ≡ FEATURES & BENEFITS ≡

- All 304 stainless steel
- Wide selection of sizes
- Die-formed mounting brackets
- Space-saving wall mount design



(Unit : inch)

Model *	Ga.	L	D	H	Net Weight †
TSWS-1224	18	24	12	10	8
TSWS-1236	18	36	12	10	10
TSWS-1248	18	48	12	10	13
TSWS-1260	18	60	12	10	16
TSWS-1272	18	72	12	10	18
TSWS-1284	18	84	12	10	21
TSWS-1296	18	96	12	10	23
TSWS-1424	18	24	14	11	9
TSWS-1436	18	36	14	11	12
TSWS-1448	18	48	14	11	15
TSWS-1460	18	60	14	11	18
TSWS-1472	18	72	14	11	21
TMWS-1922	18	22	19	10	10