

Product Name	Silenzio™ 650 Watt Counter Top Induction Buffet	Quantity		Item #	
--------------	---	----------	--	--------	--



Note: Induction buffet units require the use of induction compatible (i.e. magnetic) servingware.



Standard Features

- Free-standing counter-top design, stainless steel housing, heavy duty energy efficient electronics, high-impact commercial grade tempered glass
- Microprocessor monitors vital components 120 times per second to check for overheating, power supply problems, and more. Buffet unit shuts off and displays error codes enabling user to diagnose and correct minor problems
- Automatic pan detection allows for instant energy transmission to pan, and almost no energy consumption when pan is not present
- Maximum temperature limit prevents damage to servingware, keeps food in the “safe zone”
- Four standard temperature settings
- Eleven additional temperature settings can be accessed via simple keypad function
- Low-wattage design allows for fanless, silent operation
- Easy to clean tempered glass top
- Works with standard induction compatible servingware
- Lock feature prevents unwanted setting changes
- Red LED display for precise user control and feedback
- Available in 100-125VAC or 200-240VAC

- Integral automatic timer commences when pan is placed on surface. Hold time is user selectable. Display flashes when hold time has expired. Timer can be turned on or off.
- Can use three 100-125VAC units on a 15 amp circuit or four on a 20 amp circuit
- Can use five 200-240VAC units on a 15 amp circuit
- Three year limited warranty in US/Canada only. See statement for full details.
- Made in the USA*

Specifications

Shall be a CookTek free-standing Induction Buffet unit, model _____ with a total kW rating of 0.65 kW.

Unit shall be manufactured in the United States and constructed of an aluminum housing and a high-impact tempered glass top.

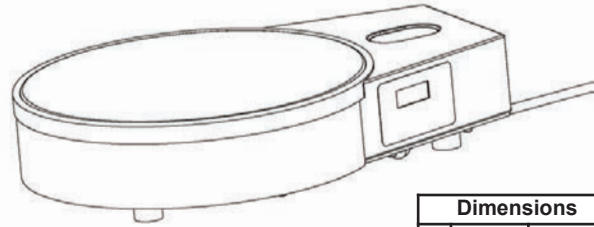
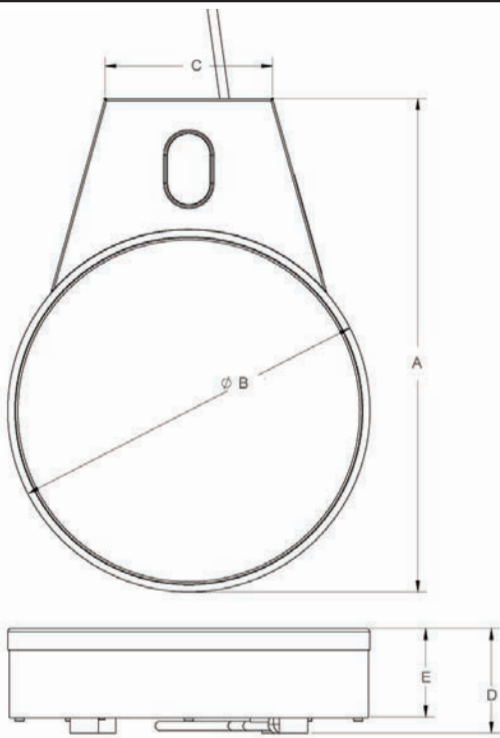
Unit shall be built with an auto shut-off feature to prevent overheating, offer self-diagnostics, and have a pan maximizer feature to ensure maximum heating of any induction compatible pan.

Unit shall operate on _____ power with integral _____ cord and plug (supplied).

*of USA and imported parts

SILENZIO™ 650W COUNTER TOP INDUCTION BUFFET

B651-C, B652-C



Dimensions		
	inches	mm
A	17.35	441
B	12.74	324
C	5.90	150
D	3.68	93
E	3.12	79

- Cooling clearance: 2" (55mm) for front, sides, and rear



Specifications

	B651-C	B652-C
Model Number	B651-C	B652-C
Power Requirements	100-125VAC, 1Ph	200-240VAC, 1Ph
Power Consumption	650W (max)	650W (max)
Voltage	100-125VAC, 50/60 Hz	200-240VAC, 50/60 Hz
Amperage	5A (max)	2.7A (max)
Power Range	100-650W	100-650W
Preset Temperatures	150, 160, 175, 190°F / 65, 70, 80, 90°C	150, 160, 175, 190°F / 65, 70, 80, 90°C
Additional Temperature Settings	80, 165, 170, 180, 185, 200, 210, 220, 230, 240, 250°F / 30, 40, 50, 60, 75, 85, 95, 100, 105, 110, 120°C	80, 165, 170, 180, 185, 200, 210, 220, 230, 240, 250°F / 30, 40, 50, 60, 75, 85, 95, 100, 105, 110, 120°C
Dimensions (in)	17.35" x 12.74" x 3.68"	17.35" x 12.74" x 3.68"
Dimensions (mm)	441 x 324 x 93	441 x 324 x 93
Weight	10.9 lbs / 4.9 kg	10.9 lbs / 4.9 kg
Packaged Weight	15.6 lbs / 7.03 kg	15.6 lbs / 7.03 kg
Packaged Dimensions (in)	21" x 19.5" x 9.5"	21" x 19.5" x 9.5"
Packaged Dimensions (mm)	533 x 495 x 241	533 x 495 x 241
Power Cord Length	6 ft / 1.8 m	6 ft / 1.8 m
Plug Type	NEMA 5-15P	NEMA 6-20P in US/Can, country specific elsewhere
Warranty	36 months limited parts and labor in US/Canada only - see statement for details	

Note: Ambient air should not exceed 50°C/122°F. Many local codes exist, and it is the Owner and Installer's responsibility to comply with those codes. CookTek continually improves its products and reserves the right to change or improve specifications without notice.

CookTek Induction Systems, LLC
156 N. Jefferson St. Ste 300
Chicago, IL 60661-1436, USA
www.cooktek.com

Tel: 1.312.563.9600 Fax: 1.312.432.6220
Toll Free: 1.888.COOKTEK (266.5835)
Toll Free Fax: 1.888.COOKFAX (266.5329)

COOKTEK