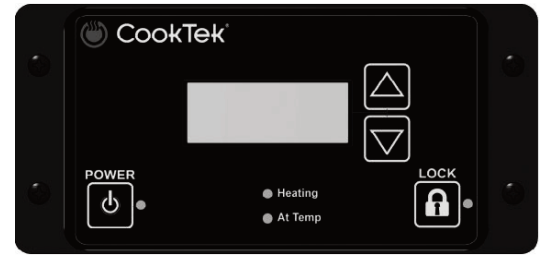


Product Name	Silenzio™ 650 Watt Drop-In Induction Buffet	Quantity		Item #	
--------------	---	----------	--	--------	--

New model, dimensionally the same as popular competitor, making it ideal for replacement or substitution.



Note: Induction buffet units require the use of induction compatible (i.e. magnetic) servingware.



Standard Features

- Drop-in counter-top design, aluminum housing, heavy duty energy efficient electronics, high-impact commercial grade tempered glass
- Microprocessor monitors vital components 120 times per second to check for overheating, power supply problems, and more. Buffet unit shuts off and displays error codes enabling user to diagnose and correct minor problems
- Automatic pan detection allows for instant energy transmission to pan, and almost no energy consumption when pan is not present
- Maximum temperature limit prevents damage to servingware and food spoilage
- Works with standard induction compatible servingware or Spring** chafing dishes
- Four standard temperature settings
- Standard Cat 5e or Cat 6 patch cable from unit to control box is included. Replacement cables up to 18ft (5.5m) long may be used but MUST BE SHIELDED.
- Easy to clean tempered glass top
- Works with standard induction compatible servingware
- Lock feature prevents unwanted setting changes
- LED display for precise user control and feedback
- Available in 650W 100-120VAC or 200-240VAC
- Can use up to two 100-120VAC units on one 15 amp circuit, or up to three units on one 20 amp circuit

- Can use up to five 200-240VAC units on one 15 amp circuit
- Puts 20% more heat energy into a standard Spring** chafing dish+
- Cut-outs match those of Spring SR-650M / SR-1151B-1M for ease of replacement
- Three year limited warranty in US/Canada only -see warranty statement for full details.
- Made in the USA*

Specifications

Shall be a CookTek drop-in Induction Buffet unit, model _____ with a total kW rating of 0.65kW.

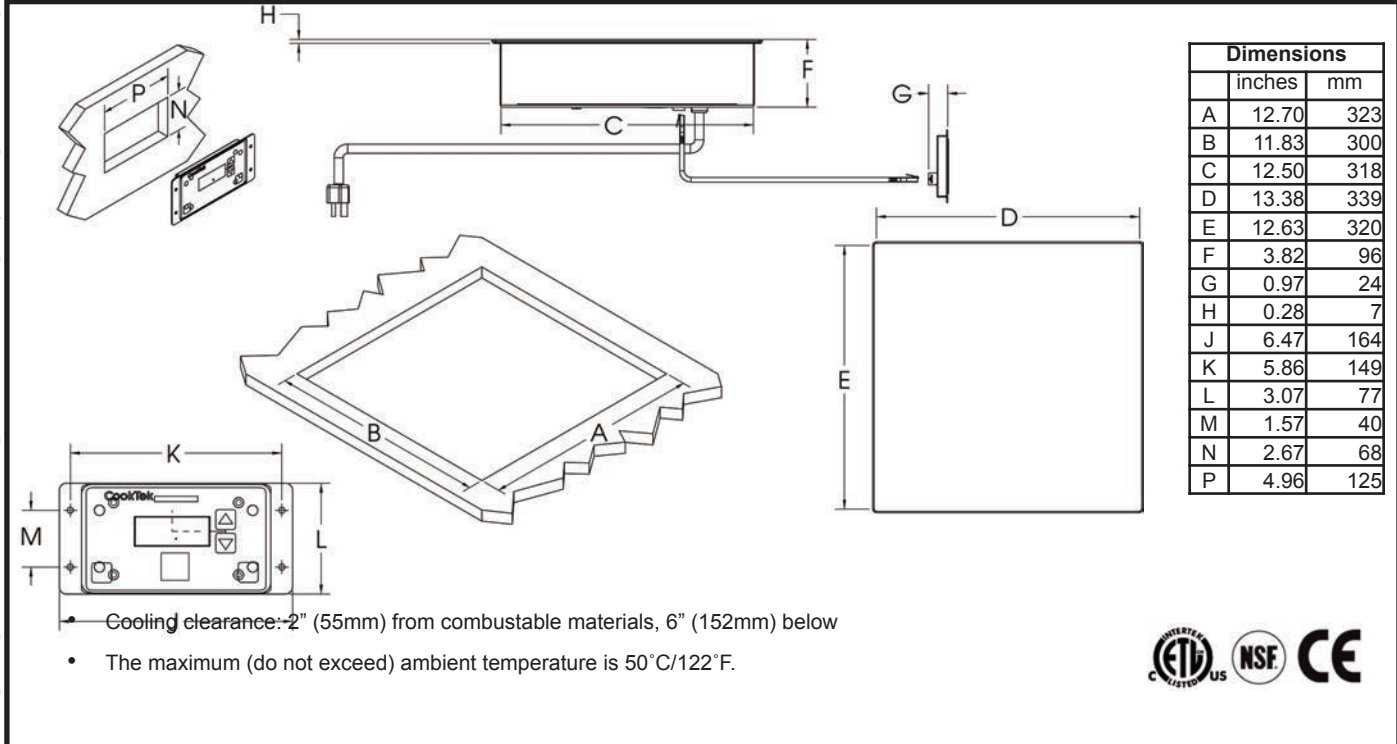
Unit shall be manufactured in the United States and constructed of an aluminum housing and a high-impact tempered glass top.

Unit shall be built with an auto shut-off feature to prevent overheating, offer self-diagnostics, and have a pan maximizer feature to ensure maximum heating of any induction compatible pan.

Unit shall operate on _____ power with integral _____ cord and plug (supplied)

*of USA and imported parts
** Spring is a registered trademark of Spring USA, Inc.
+According to repeated tests in CookTek lab using B65x-S and Typical Spring ** induction chafing dish

SILENZIO™ 650 WATT DROP-IN INDUCTION BUFFET
B651-S, B652-S



Specifications

	B651-S	B652-S
Model Number	B651-S	B652-S
Power Requirements	100-120VAC, 1Ph	200-240VAC, 1Ph
Power Consumption	650W (max)	650W (max)
Voltage	100-120VAC, 50/60 Hz	200-240VAC, 50/60 Hz
Amperage	5.4A (max)	2.7A (max)
Power Range	100-650W	100-650W
Preset Temperatures	150, 160, 170, 180°F / 65, 70, 75, 80°C	150, 160, 170, 180°F / 65, 70, 75, 80°C
Dimensions (in)	13.38" x 12.63" x 3.82"	13.38" x 12.63" x 3.82"
Dimensions (mm)	340 x 321 x 97	340 x 321 x 97
Cutout Dimensions (in)	12.50" x 11.63"	12.50" x 11.63"
Cutout Dimensions (mm)	317.50 x 295.40	317.50 x 295.40
Weight	15 lbs / 6.8 kg	15 lbs / 6.8 kg
Packaged Weight	20 lbs / 9 kg	20 lbs / 9 kg
Packaged Dimensions (in)	17" x 17" x 9"	17" x 17" x 9"
Packaged Dimensions (mm)	432 x 432 x 229	432 x 432 x 229
Power Cord Length	6 ft / 1.8 m	6 ft / 1.8 m
Plug Type	NEMA 5-15P	NEMA 6-20Pin US/Canada - country specific elsewhere
Remote Control Box Cord Length	6 ft / 1.8 m	6 ft / 1.8 m
Warranty	36 months limited parts and labor in US/Canada only - see statement for details	

Note: Ambient air should not exceed 50°C/122°F. Many local codes exist, and it is the Owner and Installer's responsibility to comply with those codes. CookTek continually improves its products and reserves the right to change or improve specifications without notice.

CookTek Induction Systems, LLC
156 N. Jefferson St. Ste 300
Chicago, IL 60661-1436, USA
www.cooktek.com

Tel: 1.312.563.9600 Fax: 1.312.432.6220
Toll Free: 1.888.COOKTEK (266.5835)
Toll Free Fax: 1.888.COOKFAX (266.5329)

