

Product Name	SinAqua™ Induction Holding Well	Quantity		Item #	
--------------	---------------------------------	----------	--	--------	--



Note: Induction cooking and holding requires the use of induction compatible (i.e. magnetic) food pans (note: most are).

**Standard Features**

- Designed to accommodate Gastronorm or standard hotel pans, half-pans: one 1/1 or two 1/2. Adaptor plate available for other pan sizes.
- Two depths available: IHW061-22 - 65mm (2.5") and IHW061-24 - 100mm (4"). Units only compatible with one pan depth.
- Drop-in rectangular design, stainless steel housing, heavy duty energy efficient electronics, high-impact polycarbonate top, stainless steel sides
- Two separate control panels per unit (front/back) allows for different products to be held at different temperatures
- Four standard temperature settings - 160, 170, 180, 190°F / 70, 75, 80, 90°C. More available via keypad accessibility.
- Integral automatic timer commences when pan inserted in the well. Hold time is user selectable. Display flashes when hold time has expired. Timer can be turned on or off.
- Spring-loaded sealed temperature sensor to ensure reliable pan-contact temperature measurement
- Microprocessor monitors vital components 120 times per second to check for overheating, power supply problems and more. Induction unit shuts off and displays error codes enabling user to diagnose and correct minor problems.
- Automatic pan detection allows for instant energy transmission to pan, and almost no energy consumption when pan is not present (even if unit is left on)
- Red LED display for precise user control and feedback
- Maximum temperature limit prevents damage to pans and/or unit
- Standard Cat 5e or Cat 6 patch cables from unit to control boxes are included (any replacement cables MUST BE SHIELDED type)
- Easy to clean polycarbonate/stainless construction
- Works with any standard magnetic pan - including 18/8 (300 series) stainless pans which have been cold worked.
- Lock feature prevents unwanted setting changes
- LED annunciators for "Heating" and "At Temp"
- One 100-125VAC unit on a 15 amp circuit
- While rated at 1.3kW per well, unit typically duty cycles at 200-300 watts.
- Three year limited warranty in US/Canada only. See warranty statement for full details.
- Made in the USA\*

**Specifications**

Shall be a CookTek drop-in rectangular induction food holding well, model \_\_\_\_\_ with a total KW rating of 1.3 kW.

Unit shall be manufactured in the United States and constructed of an stainless steel housing and a high-impact polycarbonate top.

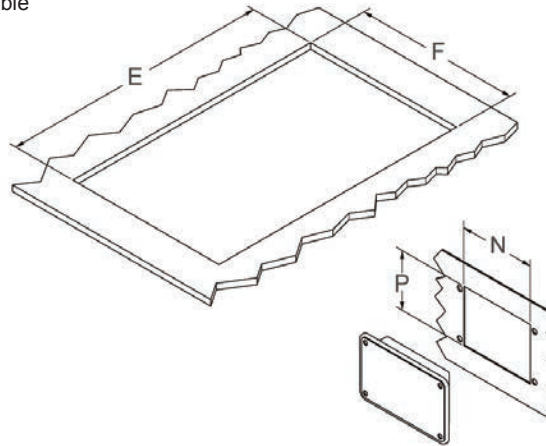
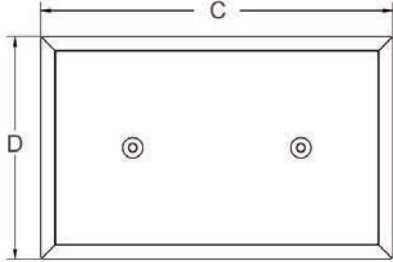
Unit shall be built with an auto shut-off feature to prevent overheating, offer self-diagnostics, and have a pan maximizer feature to ensure maximum heating of any induction compatible pan.

Unit shall operate on \_\_\_\_\_ power with integral \_\_\_\_\_ cord and plug (supplied).

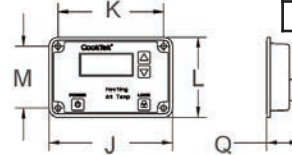
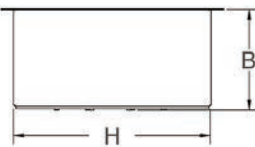
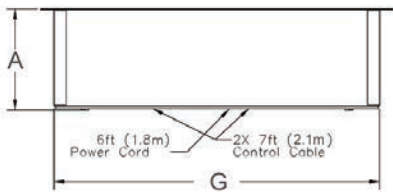
\*of USA and imported parts

**SINAQUA™ INDUCTION HOLDING WELL**

- Cooling clearance: 2" (55mm) from combustible materials, 6" (152mm) below
- The maximum (do not exceed) ambient temperature is 50°C/122°F.



	Dimensions			
	IHW061-22		IHW061-24	
	inches	mm	inches	mm
A	6.23	158	7.77	197
B	6.19	157	7.72	196
C	21.75	552	21.75	552
D	13.75	349	13.75	349
E*	20.25	514	20.25	514
F*	12.25	311	12.25	311
G	20.10	511	20.10	511
H	12.14	308	12.14	308
J	3.81	97	3.81	97
K	3.26	83	3.26	83
L	2.46	62	2.46	62
M	1.91	49	1.91	49
N	2.90	74	2.90	74
P	2.25	57	2.25	57
Q	1.02	26	1.02	26



\* Cutout dimensions can be up to 20.75" x 12.75" (527mm x 324mm)



### Specifications

Model Number	IHW061-22	IHW061-24
Power Requirements	100-125VAC, 1 Ph	100-125VAC, 1 Ph
Power Consumption	2 x 650W (max)	2 x 650W (max)
Voltage	100-125VAC, 50/60 Hz	100-125VAC, 50/60 Hz
Amperage	10 A (max)	10 A (max)
Power Range	100-650W per zone (1300W max)	100-650W per zone (1300W max)
Preset Temperatures	160, 170, 180, 190°F / 70, 75, 80, 90°C	160, 170, 180, 190°F / 70, 75, 80, 90°C
Expanded Temperatures	160, 165, 170, 175, 180, 185, 190, 195, 200, 205, 210, 220, 230, 240, 250°F / 70, 75, 80, 85, 90, 95, 100, 105, 110, 115, 120°C	160, 165, 170, 175, 180, 185, 190, 195, 200, 205, 210, 220, 230, 240, 250°F / 70, 75, 80, 85, 90, 95, 100, 105, 110, 115, 120°C
Dimensions (in)	21.75" x 13.75" x 6.23"	21.75" x 13.75" x 7.77"
Dimensions (mm)	552 x 349 x 158	552 x 349 x 197
Cutout Dimensions (in)	20.25-20.75" x 12.25-12.75"	20.25-20.75" x 12.25-12.75"
Cutout Dimensions (mm)	514-527 x 311-324	514-527 x 311-324
Weight	22.4 lbs / 10.1 kg	23.7lbs / 10.7 kg
Packaged Weight	25.9 lbs / 11.7 kg	27.2 lbs / 12.3 kg
Packaged Dimensions (in)	24" x 18" x 12"	24" x 18" x 12"
Packaged Dims. (mm)	607 x 457 x 305	607 x 457 x 305
Power Cord Length	6 ft / 1.8 m	6 ft / 1.8 m
Plug Type	NEMA 5-15P	NEMA 5-15P
Rmte Ctrl Box Cord Length	7 ft / 2.1 m	7 ft / 2.1 m
Warranty	36 months limited parts and labor in US/Canada only - see statement for details	

Note: Ambient air should not exceed 50°C/122°F. Dedicated circuit required. Many local codes exist, and it is the Owner and Installer's responsibility to comply with those codes. CookTek continually improves its products and reserves the right to change or improve specifications without notice.

**CookTek Induction Systems LLC**  
 156 N. Jefferson St. Ste 300  
 Chicago, IL 60661-1436, USA  
 www.cooktek.com

Tel: 1.312.563.9600 Fax: 1.312.432.6220  
 Toll Free: 1.888.COOKTEK (266.5835)  
 Toll Free Fax: 1.888.COOKFAX (266.5329)

**COOKTEK®**