

Product Name	OmeletBuster™ Double Burner (Hob) Cooktop	Quantity		Item #	
--------------	---	----------	--	--------	--



Note: Induction cooking requires the use of induction compatible (i.e. magnetic) cookware. Two pans included with unit purchase (shown below).



Standard Features

- Portable tabletop design with rugged molded housing, heavy duty electronic components, and high impact, tempered glass top engineered for use in commercial kitchens
- Each induction burner (hob) has its own separate controls for independent operation and functionality
- Control knob for ease of use and automatic power control
- Pan Maximizer feature achieves maximum heating of any induction compatible pan
- Microprocessor monitors vital components 120 times per second to check for overheating, power supply problems, and more. Cooktop shuts off and displays error codes enabling user to diagnose and correct minor problems
- LED indicator for user feedback
- Automatic pan detection allows for instant energy transmission to pan and almost no energy consumption when pan is not present
- Automatic shut-off feature prevents overheating
- Easy to clean tempered glass top surface
- Lowest power setting keeps empty pan warm for next use
- Integral fan keeps internal electronics cool
- Available in 1800 watts, 120VAC, 900 watts per burner (hob) or 2400 watts, 240VAC, 1200 watts per burner (hob)

- Three year limited warranty in USA and Canada - see warranty statement for international details.
- Made in the USA*

Specifications

Shall be a CookTek counter-top double burner (hob) cooktop, model _____ with a total kW rating of _____.

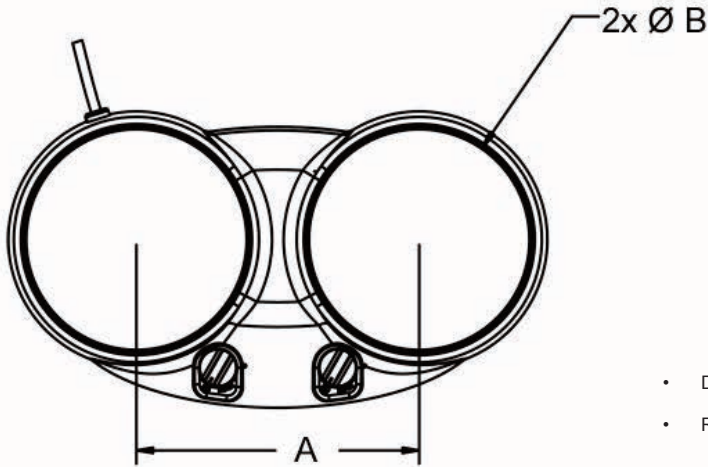
Unit shall be manufactured in the United States and constructed of a molded housing and a high impact, tempered glass top.

Unit shall be equipped with a built-in microprocessor that performs precise power control, auto shut-off to prevent overheating, self-diagnostics, and a pan maximizer feature that ensures maximum heating of any induction compatible pan.

Unit shall operate on _____ power with integral _____ cord and plug (supplied).

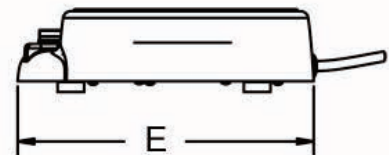
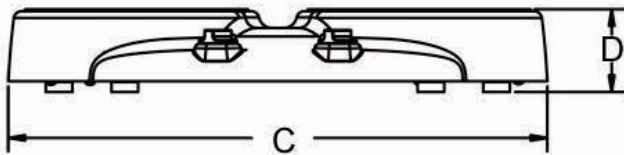
*of USA and imported parts

OMELETBUSTER™ DOUBLE BURNER (HOB) COOKTOP



Dimensions		
	inches	mm
A	10.63	270
B	8.44	214
C	20.25	514
D	3.11	79
E	11.13	283

- Dedicated circuit required (for 120VAC operation)
- Requires maximum (do not exceed) ambient temperature of 50°C/122°F



Specifications

	MC0902S-100	MC1202S-200
Model Number	MC0902S-100	MC1202S-200
Power Requirements	100-120VAC, 1Ph	200-240VAC, 1Ph
Power Consumption	1800W (max, 2 x 900W)	2400W (max, 2 x 1200W)
BTU Comparison	16,000 BTU (2 x 8,000 BTU)	21,150 BTU (2 x 10,575 BTU)
Voltage	100-120VAC, 50/60 Hz	200-240VAC, 50/60 Hz
Amperage	15A (max)	10A (max)
Power Range	100-900W per burner	100-1200W per burner
Dimensions (in)	20.25" X 11.13" X 3.11	20.25" X 11.13" X 3.11
Dimensions (mm)	514 X 283 X 79	514 X 283 X 79
Weight	10.2 lbs / 4.6 kg	10.2 lbs / 4.6 kg
Packaged Weight	21.4 lbs / 9.7 kg	21.4 lbs / 9.7 kg
Packaged Dimensions (in)	21" x 19" x 9"	21" x 19" x 9"
Packaged Dims. (mm)	533 x 483 x 229	533 x 483 x 229
Power Cord Length	6 ft / 1.8 m	6 ft / 1.8 m
Plug Type	NEMA 5-15P	country specific
Warranty	36 months limited parts and labor in US and Canada - see statement for details	

Note: Ambient air should not exceed 50°C/122°F. Dedicated circuit required. Many local codes exist, and it is the Owner and Installer's responsibility to comply with those codes. CookTek continually improves its products and reserves the right to change or improve specifications without notice.

CookTek Induction Systems, LLC
156 N. Jefferson St. Ste 300
Chicago, IL 60661-1436, USA
www.cooktek.com

Tel: 1.312.563.9600 Fax: 1.312.432.6220
Toll Free: 1.888.COOKTEK (266.5835)
Toll Free Fax: 1.888.COOKFAX (266.5329)

COOKTEK