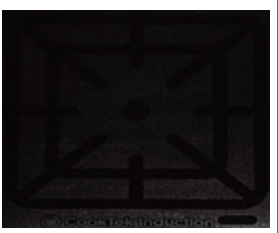
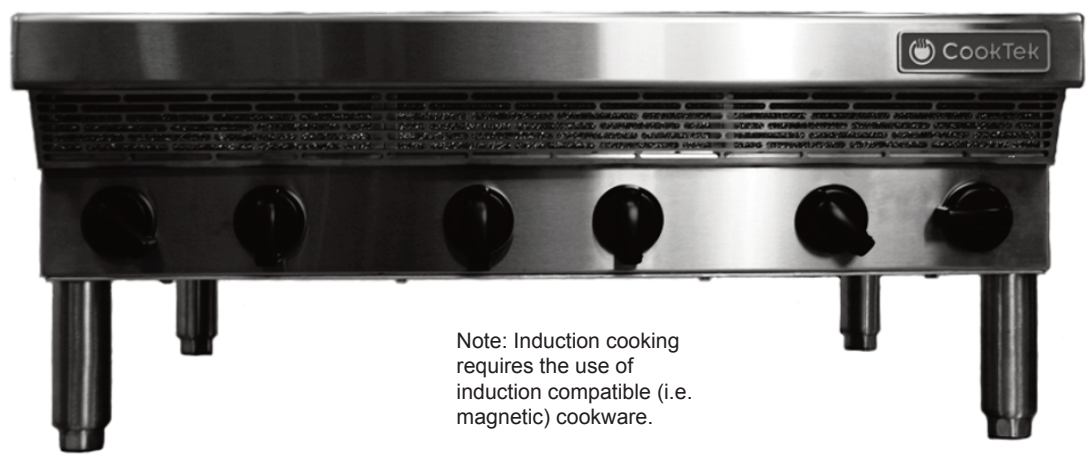


Product Name	6 Burner (Hob) Commercial Induction Range	Quantity		Item #	
--------------	---	----------	--	--------	--



Simulated burner design on each hob

Note: Induction cooking requires the use of induction compatible (i.e. magnetic) cookware.



Standard Features

- Counter-top or work table mounted classic modular design with stainless steel housing, heavy duty electronic components, and high-impact thick glass-ceramic top engineered for true “back of the house” durability and strength
- Each induction burner (hob) has its own separate controls for independent operation and functionality
- Control knobs with 10 power cook settings for familiarity and ease of use
- Pan characterization feature measures pan almost instantly to allow unit to supply optimal power to each pan at every setting
- Microprocessor monitors vital components 120 times per second to check for overheating, power supply problems, and more. Burner (hob) shuts off without affecting use of the other burners (hobs), and displays error codes enabling user to diagnose and correct minor problems
- Each induction burner (hob) is 3500 watts (maximum output), equivalent to 6 x 31,000 BTU - total 21,000 watts, equivalent to 186,000 BTU
- LED bar graph by each burner (hob) display for precise user feedback
- Integral grease filter to ensure cleaner and cooler air intake
- Internal fans keep internal electronics cool
- Automatic pan detection allows for instant energy transmission to pan, and almost no energy consumption when pan is not present
- Automatic shut-off feature prohibits overheating

- Easy to clean high-impact glass-ceramic top surface
- Adjustable foot height range of 6-8” (15.24-20.32cm)
- Available in 208VAC 3 Phase, or 400VAC 3 Phase
- Three year limited parts and labor warranty in US/Canada only - see full warranty statement for international details.
- Made in the USA*

Specifications

Shall be a CookTek commercial induction range, model _____ with a total kW rating of 21kW.

Unit shall be manufactured in the United States and constructed of a stainless steel housing, heavy duty electronic components, and a high-impact glass-ceramic top.

Unit shall be equipped with a built-in microprocessor with auto-shut off to prevent overheating, self-diagnostics, and a pan maximizer feature that ensures maximum heating of any induction compatible pan.

Unit shall have LED bar graph display for precise user feedback.

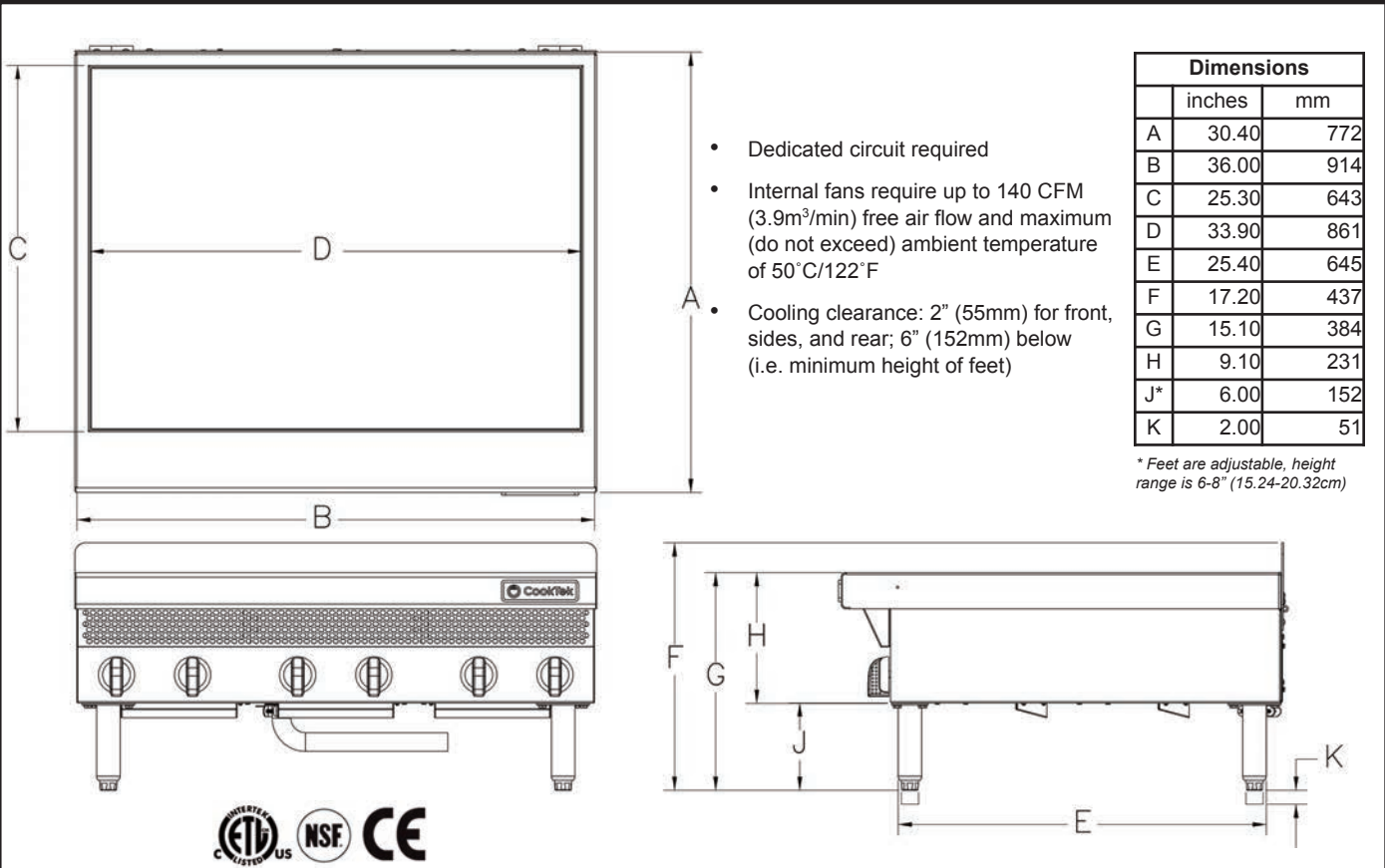
Unit shall operate on _____ power.

*of USA and imported parts

CookTek Induction Systems, LLC
 156 N. Jefferson St. Ste 300
 Chicago, IL 60661-1436, USA
 www.cooktek.com

Tel: 1.312.563.9600 Fax: 1.312.432.6220
 Toll Free: 1.888.COOKTEK (266.5835)
 Toll Free Fax: 1.888.COOKFAX (266.5329)

6 BURNER (HOB) COMMERCIAL INDUCTION RANGE



Specifications

	MC21006-200	MC21006-400
Model Number	MC21006-200	MC21006-400
Power Requirements	196-220VAC, 3 Ph 4 Wire	376-424VAC, 3 Ph, 5 Wire
Power Consumption	21,000W (max)	21,000W (max)
BTU Comparison	186,000 BTU (6 x 31,000 per burner/hob)	186,000 BTU (6 x 31,000 per burner/hob)
Voltage	196-220VAC, 50/60 Hz	376-424VAC, 50/60 Hz
Amperage	58.3A (max)	30.3A (max)
Power Range	150-3500W per burner/hob	150-3500W per burner/hob
Dimensions (in)	30.4" x 36.0" x 17.2"	30.4" x 36.0" x 17.2"
Dimensions (mm)	772 x 914 x 436	772 x 914 x 436
Weight	175 lbs / 79.38 kg	175 lbs / 79.38 kg
Packaged Weight	215 lbs / 97.52	215 lbs / 97.52
Packaged Dimensions (in)	45" x 64" x 29"	45" x 64" x 29"
Packaged Dimensions (mm)	1143 x 1625 x 736	1143 x 1625 x 736
Power Cord Length	not included	not included
Plug Type	not included	not included
Warranty	36 month limited parts and labor in US/Canada only - see statement for details	

Note: Ambient air should not exceed 50°C/122°F. Dedicated circuit required. Many local codes exist, and it is the Owner and Installer's responsibility to comply with those codes. CookTek continually improves its products and reserves the right to change or improve specifications without notice.

CookTek Induction Systems, LLC
 156 N. Jefferson St. Ste 300
 Chicago, IL 60661-1436, USA
 www.cooktek.com

Tel: 1.312.563.9600 Fax: 1.312.432.6220
 Toll Free: 1.888.COOKTEK (266.5835)
 Toll Free Fax: 1.888.COOKFAX (266.5329)

COOKTEK